

Job Name: 25-2897 Marriott Studio Res  
 Job Location: Paducah, KY  
 Contractor: Central Paving Co. of Paducah, Inc.

Plant: Beaver Dam  
 10/15/2025 4:30:39 PM

Tech: J. Coppage  
 PC: A. Chambers



**Structure ID: CB3**

**P1 BX2436-08BVF**

**BOX BASE 8inW, 8inF, Variable Ht F/n**

- P2) 24" x 36" - CASTING HEIGHT - 6"
- P1) 24" x 36" - BOX BASE 8inW, 8inF, Variable Ht F/n - 32"
- 1) 24" x 36" - SGL 1"x14.5' Butyl
- 1) Hole - 20
- 1) Hole - 12
- 1) Hole - 16

0 lb  
 4240 lb  
 0 lb  
 0 lb  
 0 lb  
 0 lb  
 0 lb  
 -----  
 Structure Total: 4240 lb

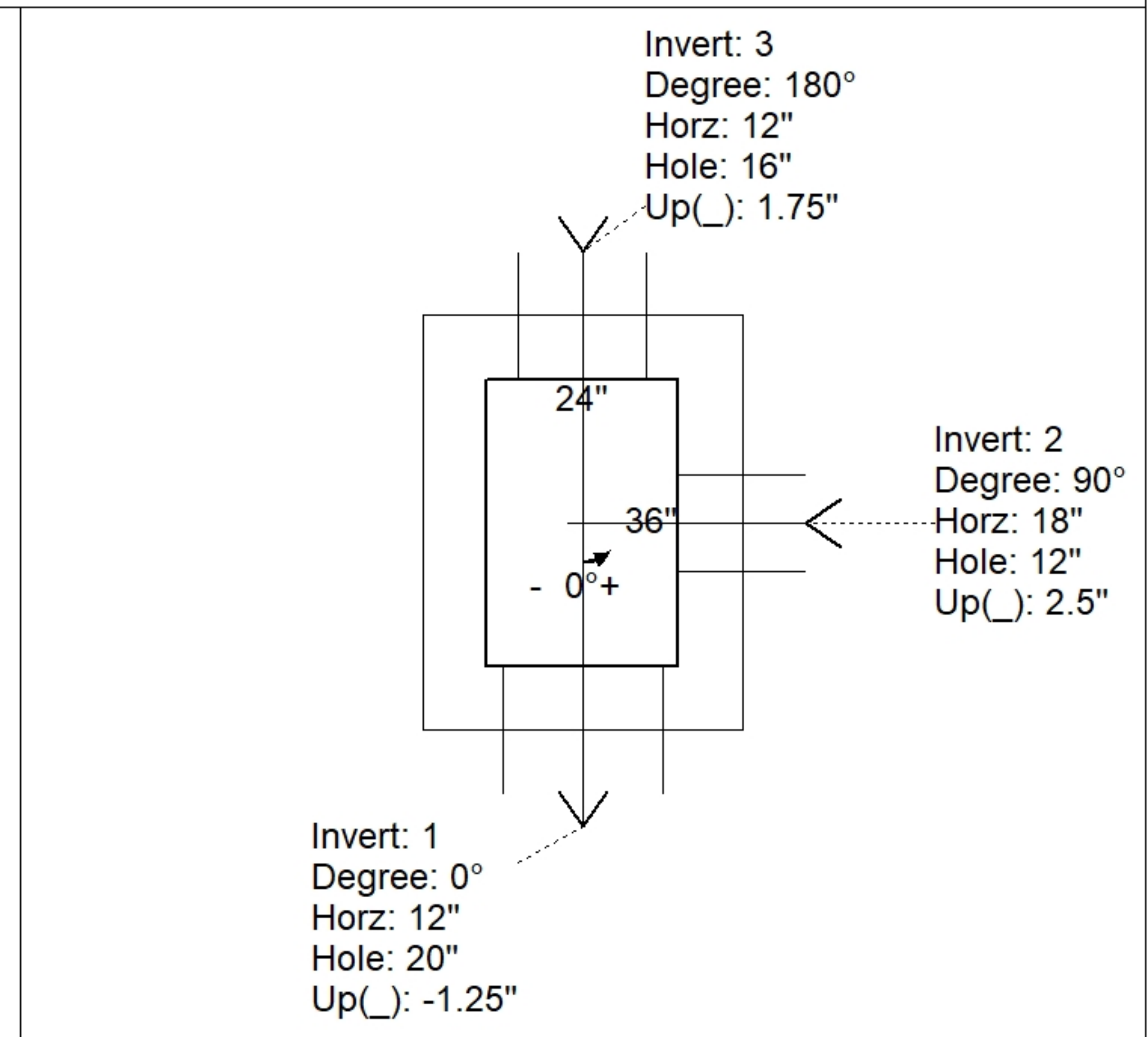
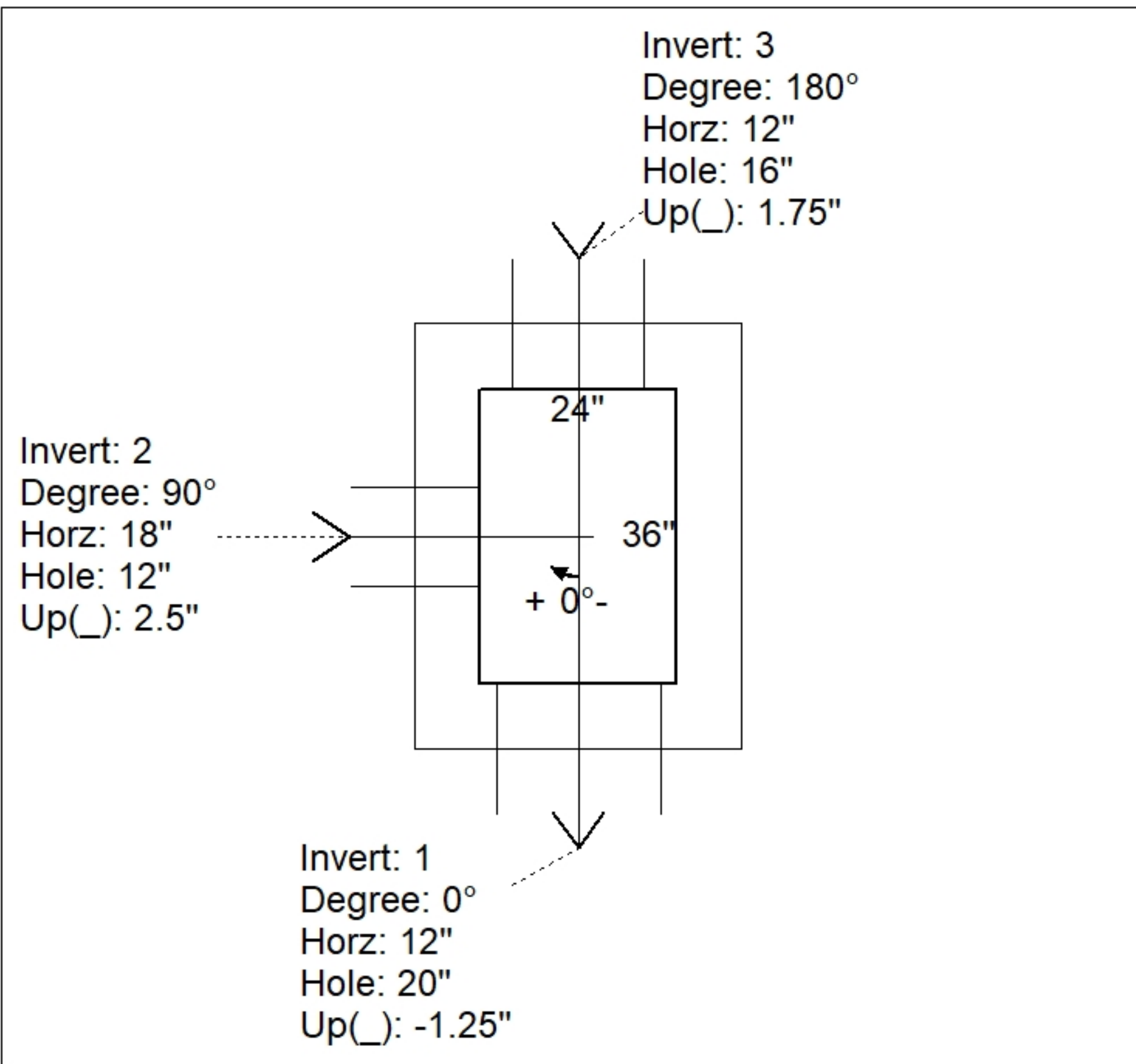
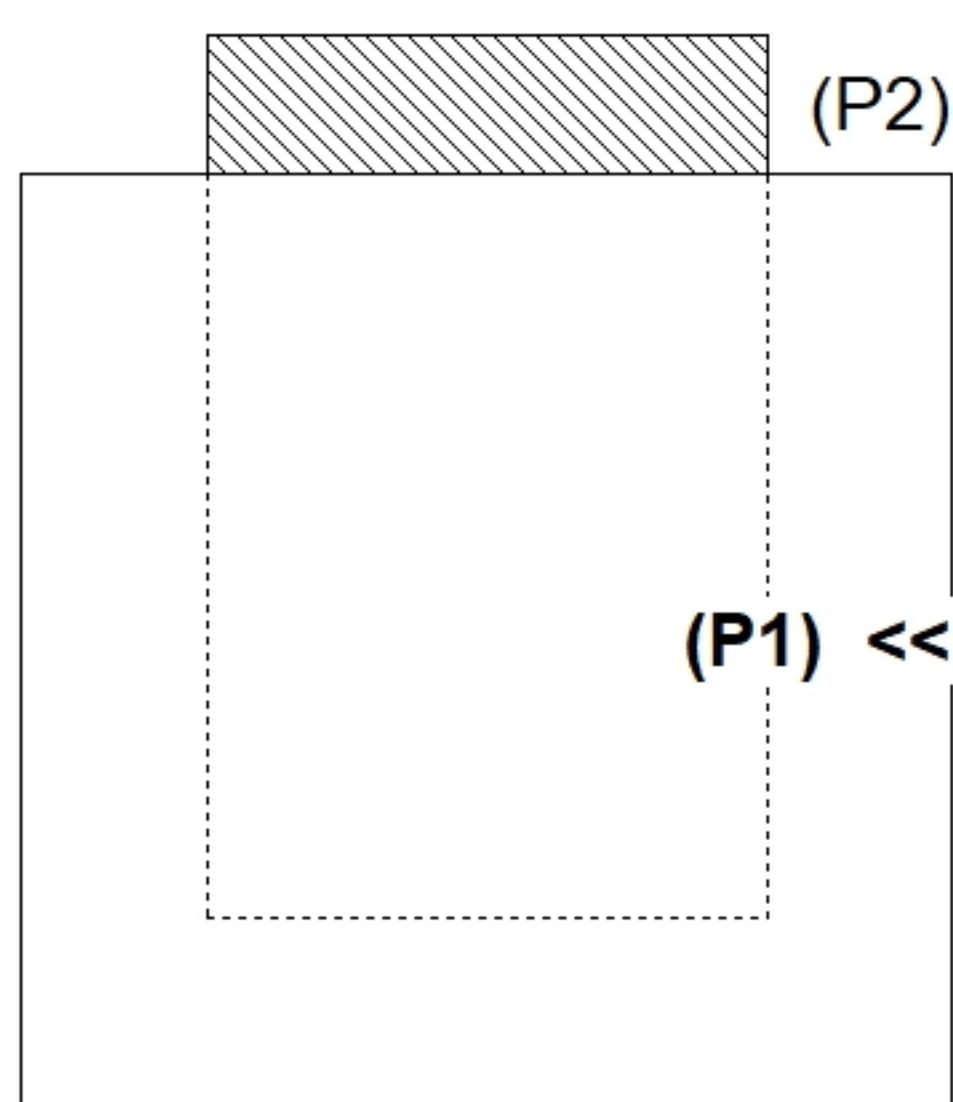
- Structure Notes:**
1. JR HOE HOE-525-LV PROVIDED BY ICAST.
  2. PER ASTM C913 SPECIFICATIONS.
  3. CONCRETE = 4,000 PSI AT 28 DAYS.
  4. REINFORCING PER ASTM A615 (GRADE 60).  
 - WALLS (As .12) #5 BARS AT 12" C.C.E.W.  
 - FLOOR (As .12) #5 BARS AT 12" C.C.E.W.
  5. VERIFY THE ELEVATION OF THE 8" HDPE PIPE.

Rim: 357.3' Rim to Invert: 3.18' Slack: 0.16" Sump: 0" Step Position:

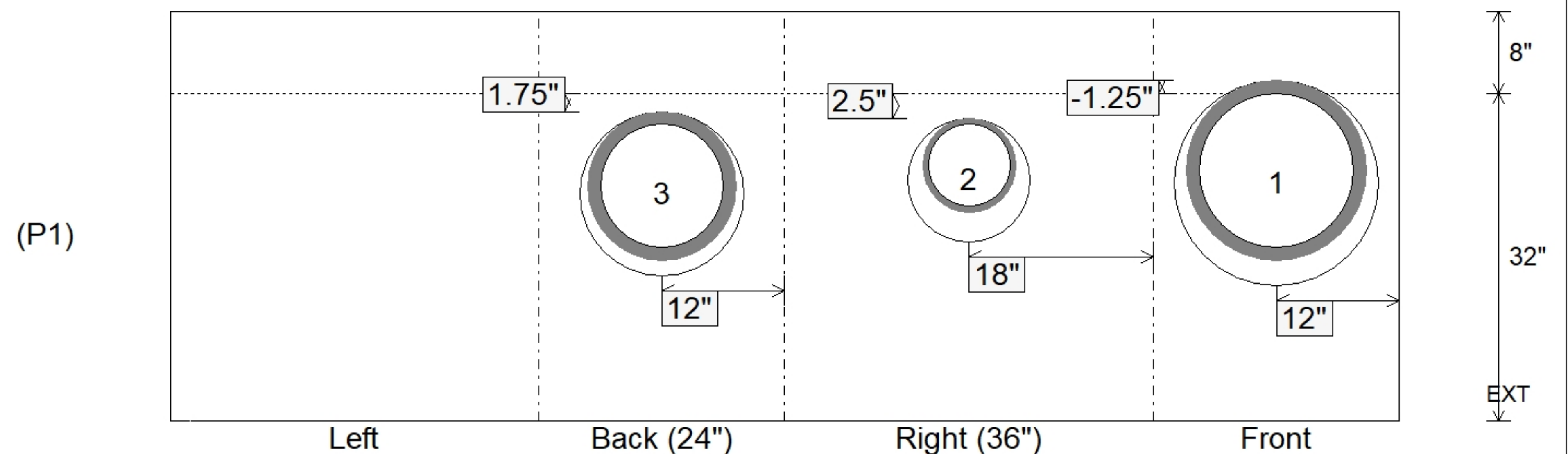
| Position | Elev    | Angle | Ext. (cw) | Pipe     | Pipe OD | Connector | Hole | Horz Size | Up ( ) | Offset |
|----------|---------|-------|-----------|----------|---------|-----------|------|-----------|--------|--------|
| Invert 1 | 354.12' | 0°    | 20"       | 15" HDPE | 17.6"   | Hole 20   | 20"  | 20"       | -1.25" | 0"     |
| Invert 2 | 354.37' | 90°   | 26"       | 8" HDPE  | 9.1"    | Hole 12   | 12"  | 12"       | 2.5"   | 0"     |
| Invert 3 | 354.37' | 180°  | 20"       | 12" HDPE | 14.5"   | Hole 16   | 16"  | 16"       | 1.75"  | 0"     |
| Invert 4 |         |       |           |          |         |           |      |           |        |        |
| Invert 5 |         |       |           |          |         |           |      |           |        |        |
| Invert 6 |         |       |           |          |         |           |      |           |        |        |
| Invert 7 |         |       |           |          |         |           |      |           |        |        |
| Invert 8 |         |       |           |          |         |           |      |           |        |        |

RIGHT-SIDE UP VIEW (int. dimensions)

UPSIDE-DOWN VIEW (int. dimensions)



INSIDE WALL DIMENSIONS



Coating (Int):  
 Coating (Ext):

Seam Up: Flat  
 Seam Dn: n/a

Wall Thickness: 8"  
 Floor Height: 8"

Height (Int): 32"  
 Height (Ext): 40"

Weight (Net): 4240 lb  
 Volume (Net): 1.08cu.yd