

Structure ID: CB12

P1 MH048BAVF

MH BASE Custom Ht F/n

P3) 24" x 36" - CASTING HEIGHT - 6" P2) 48" - MH FLAT TOP w/24"x36" Hole F/F - 7" P1) 48" - MH BASE Custom Ht F/n - 33" 1) 48" - SGL 1"x14.5' Butyl (2x) 2) Hole - 30	0 lb 1044 lb 3003 lb 0 lb 0 lb ----- Structure Total: 4048 lb
---	---

Structure Notes:

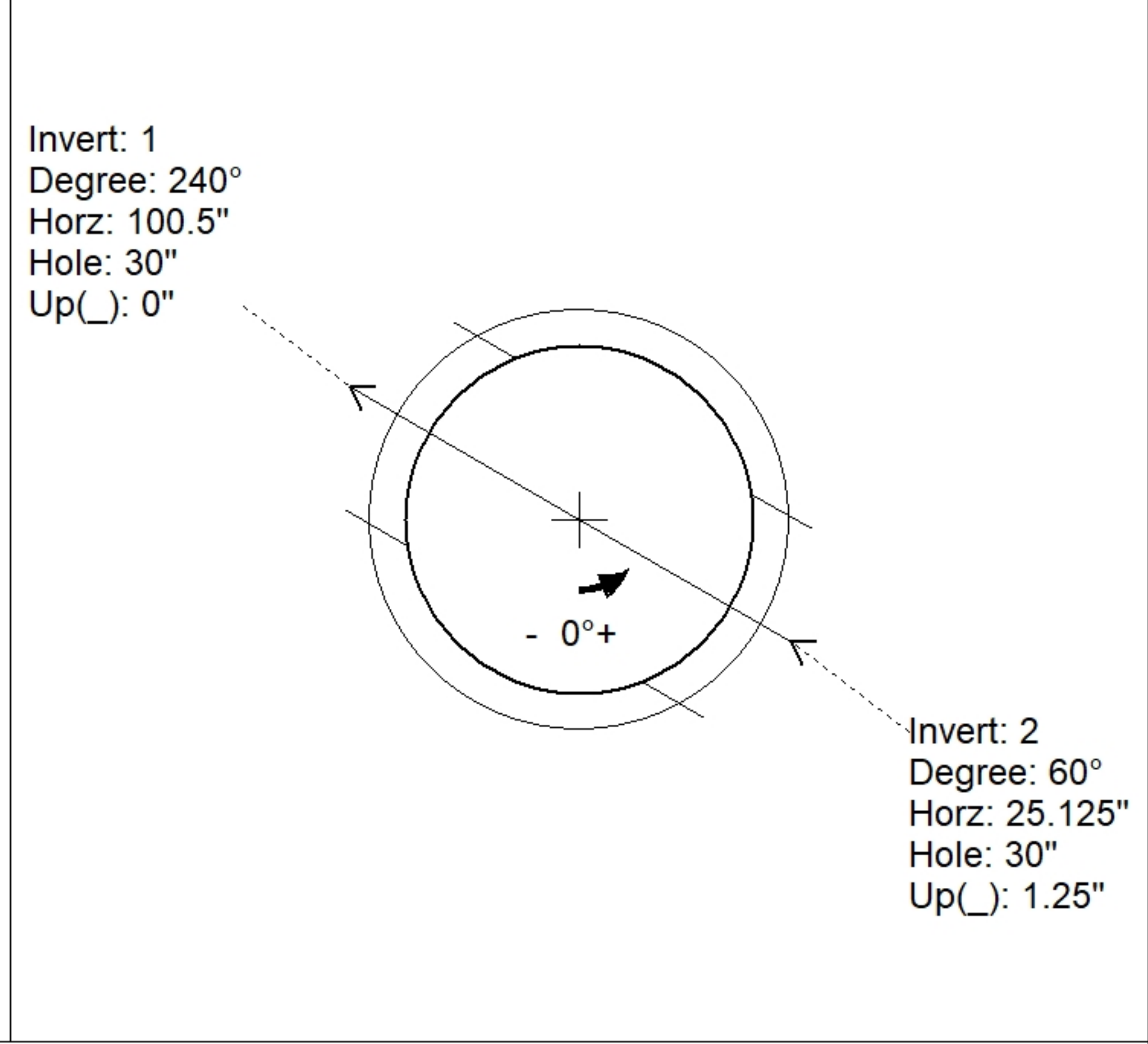
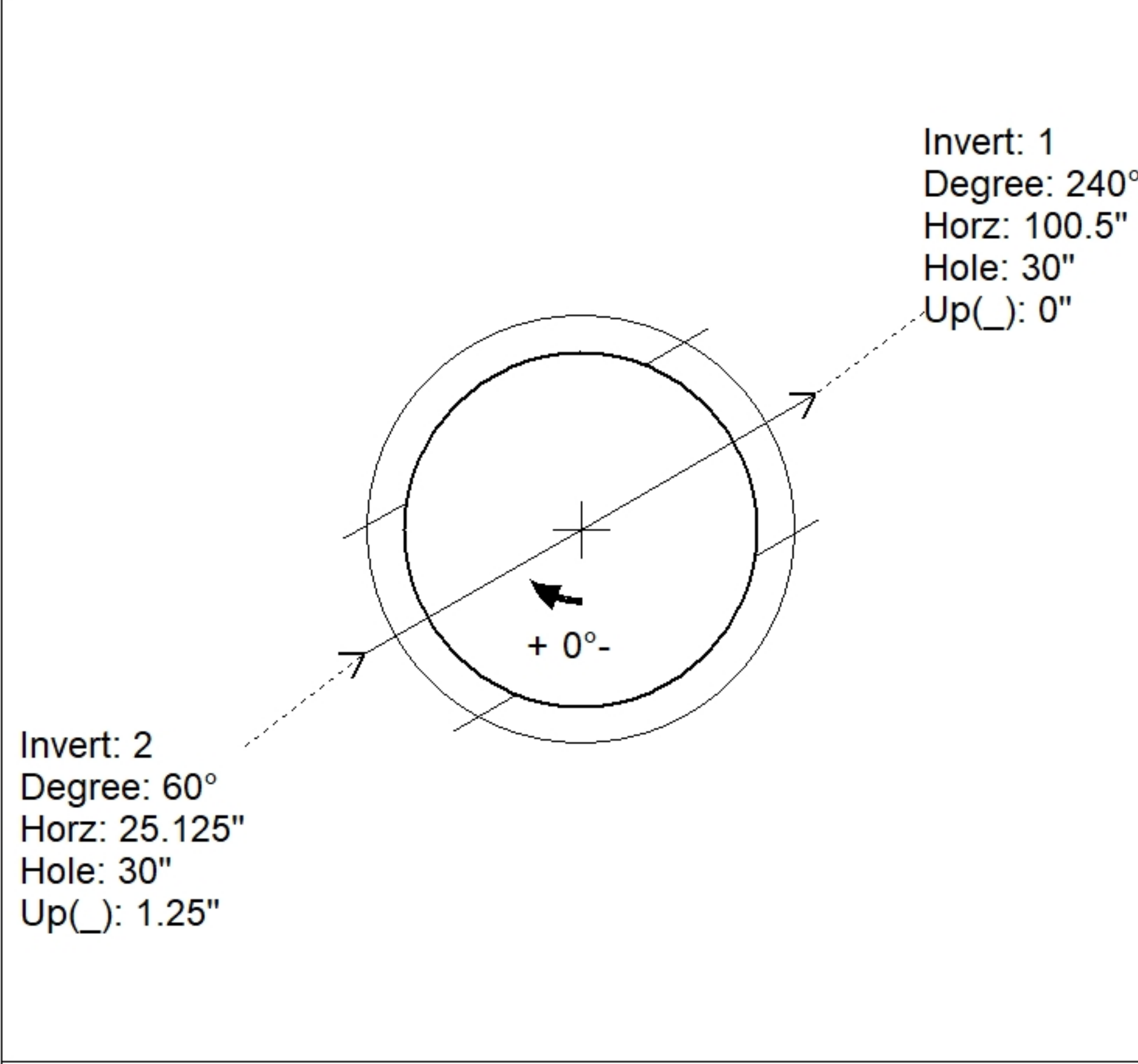
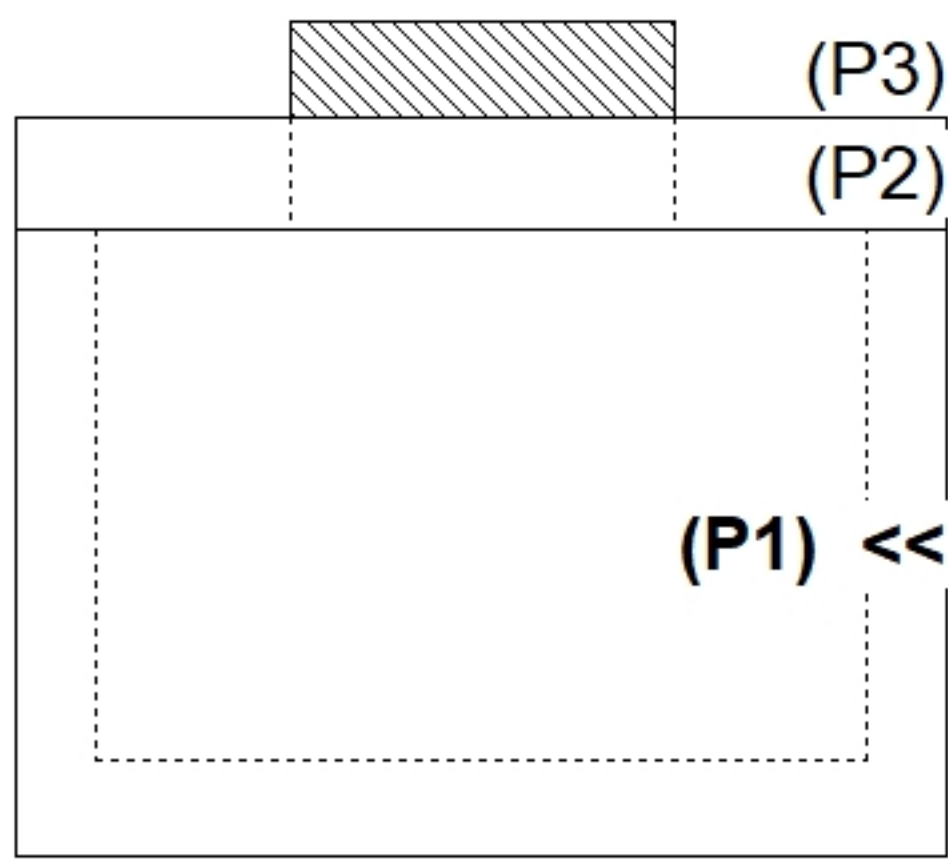
1. JR HOE HOE-525-LV PROVIDED BY ICAST.
2. PER ASTM C478 SPECIFICATIONS.
3. CONCRETE = 4,000 PSI AT 28 DAYS.
4. REINFORCING PER ASTM A615 (GRADE 60).
 - TOP SLAB (As .62) #5 BARS AT 6" C.C.E.W..
 - RISER/WALLS (As .12)
 - FLOOR (As .31) #5 BARS AT 12" C.C.E.W.

Rim: 356.3' Rim to Invert: 3.7' Slack: 0.3" Sump: 1.9" Step Position:

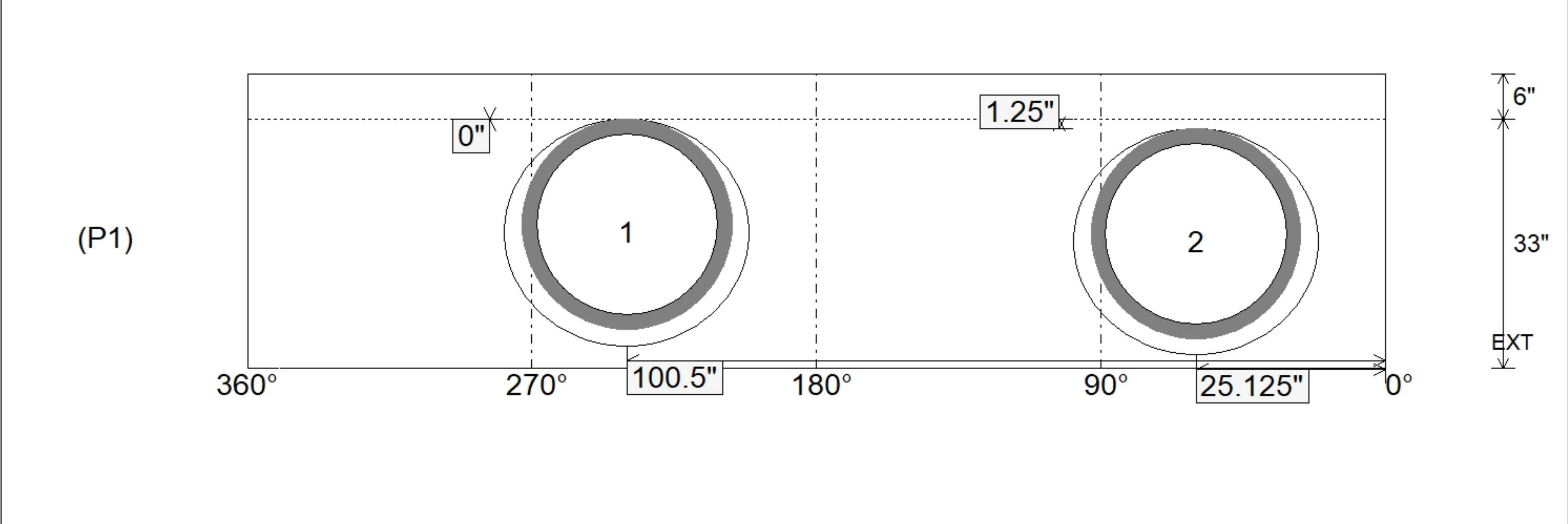
Position	Elev	Angle	Ext. (cw)	Pipe	Pipe OD	Connector	Hole	Horz Size	Up ()	Offset
Invert 1	352.6'	240°	121.5"	24" HDPE	27.8"	Hole 30	30"	32.406"	0"	0"
Invert 2	352.7'	60°	30.375"	24" HDPE	27.8"	Hole 30	30"	32.406"	1.25"	0"
Invert 3										
Invert 4										
Invert 5										
Invert 6										
Invert 7										
Invert 8										

RIGHT-SIDE UP VIEW (int. dimensions)

UPSIDE-DOWN VIEW (int. dimensions)



INSIDE WALL DIMENSIONS



Coating (Int): Coating (Ext):	Seam Up: Flat Seam Dn: n/a	Wall Thickness: 5" Floor Height: 6"	Height (Int): 33" Height (Ext): 39"	Weight (Net): 3003 lb Volume (Net): 0.77cu.yd
----------------------------------	-------------------------------	--	--	--