

Job Name: 25-2897 Marriott Studio Res
 Job Location: Paducah, KY
 Contractor: Central Paving Co. of Paducah, Inc.

Plant: Beaver Dam
 10/15/2025 4:31:00 PM

Tech: J. Coppage
 PC: A. Chambers



Structure ID: CB11

P2 MH048LD07-24X36RECT

MH FLAT TOP w/24"x36" Hole F/F

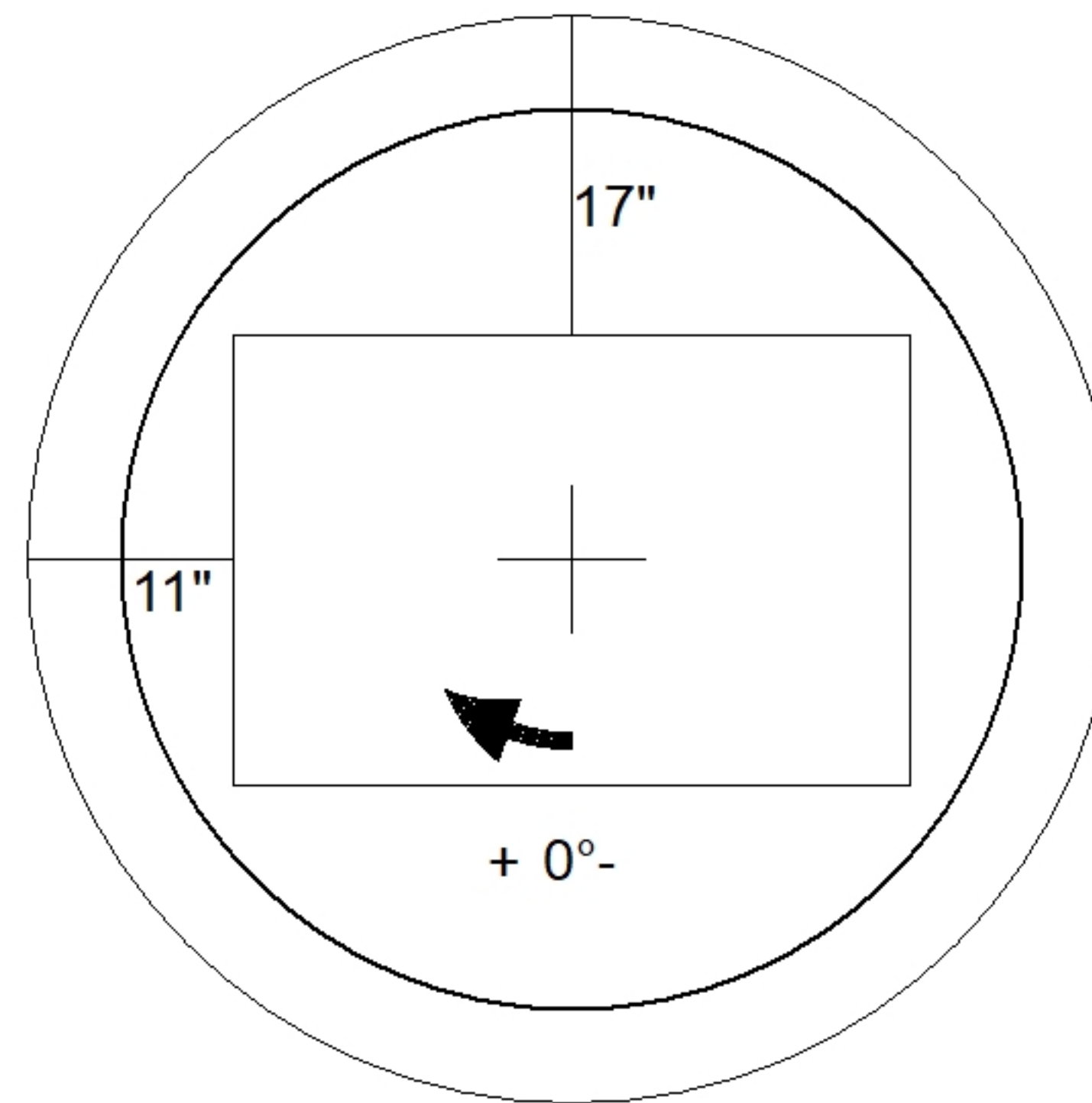
- P3) 24" x 36" - CASTING HEIGHT - 6"
- P2) 48" - MH FLAT TOP w/24"x36" Hole F/F - 7"
- P1) 48" - MH BASE Custom Ht F/n - 33"
- 1) 48" - SGL 1"x14.5' Butyl (2x)
- 1) Hole - 30
- 1) Hole - 24

	0 lb
	1044 lb
	3122 lb
	0 lb
	0 lb
	0 lb
Structure Total:	4167 lb

Structure Notes:

1. JR HOE HOE-525-LV PROVIDED BY ICAST.
2. PER ASTM C478 SPECIFICATIONS.
3. CONCRETE = 4,000 PSI AT 28 DAYS.
4. REINFORCING PER ASTM A615 (GRADE 60).

- TOP SLAB (As .62) #5 BARS AT 6" C.C.E.W..
- RISER/WALLS (As .12)
- FLOOR (As .31) #5 BARS AT 12" C.C.E.W.



48" - MH FLAT TOP w/24"x36" Hole F/F - 7" - (P2)

Coating (Int):	Seam Up: Flat	Wall Thickness: 5"	Height (Ext): 7"
Coating (Ext):	Seam Dn: Flat		Weight (Net): 1044 lb Volume (Net): 0.27cu.yd