

Structure ID: CB1

P1 BX2436-08BVF

BOX BASE 8inW, 8inF, Variable Ht F/n

P2) 24" x 36" - CASTING HEIGHT - 6" P1) 24" x 36" - BOX BASE 8inW, 8inF, Variable Ht F/n - 24" 1) 24" x 36" - SGL 1"x14.5' Butyl 1) Hole - 16	0 lb 3654 lb 0 lb 0 lb <hr style="width: 50px; margin: 0;"/> Structure Total: 3654 lb
--------------------------------------------------------------------------------------------------------------------------------------------------------	---------------------------------------------------------------------------------------------------

Structure Notes:

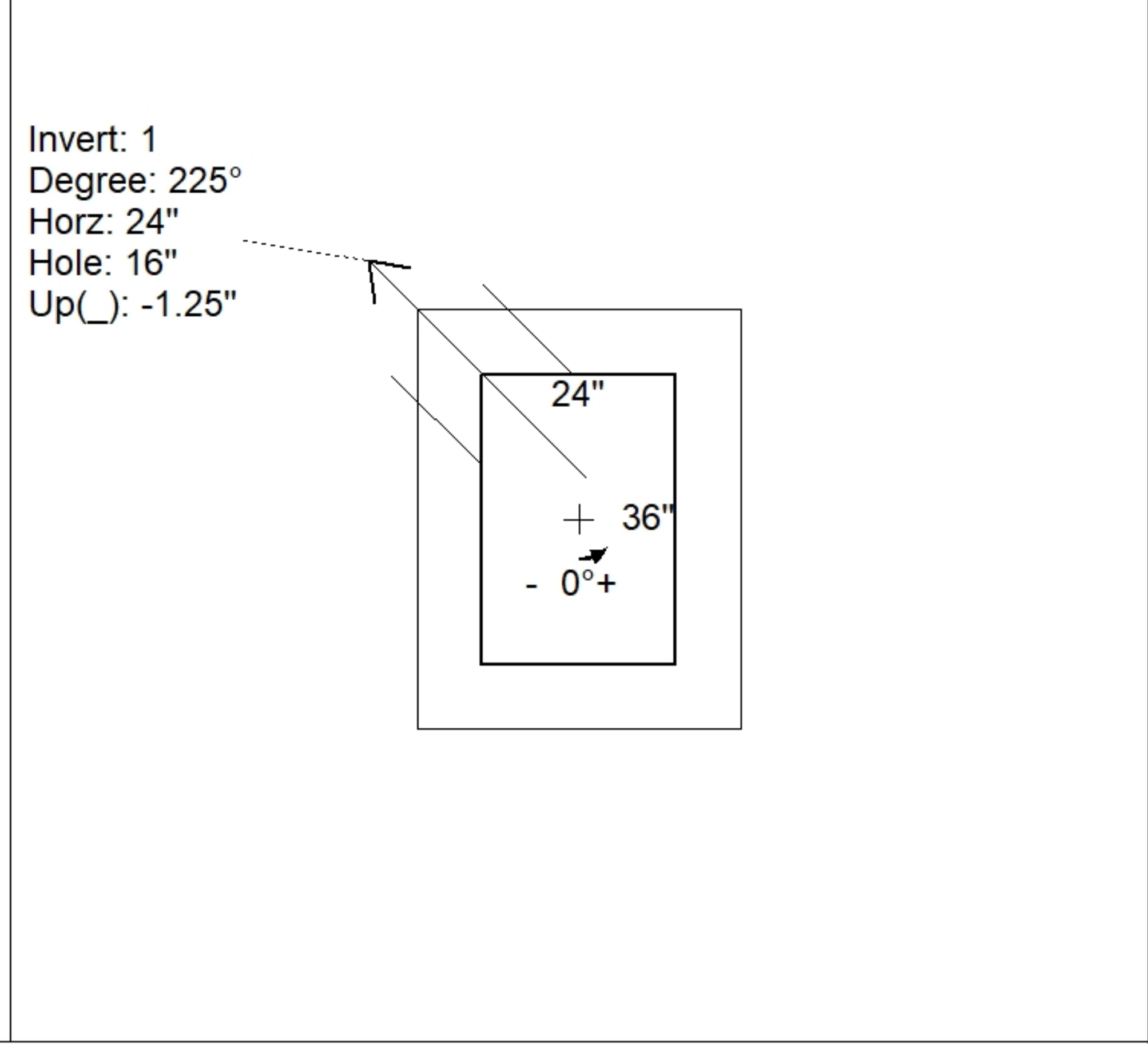
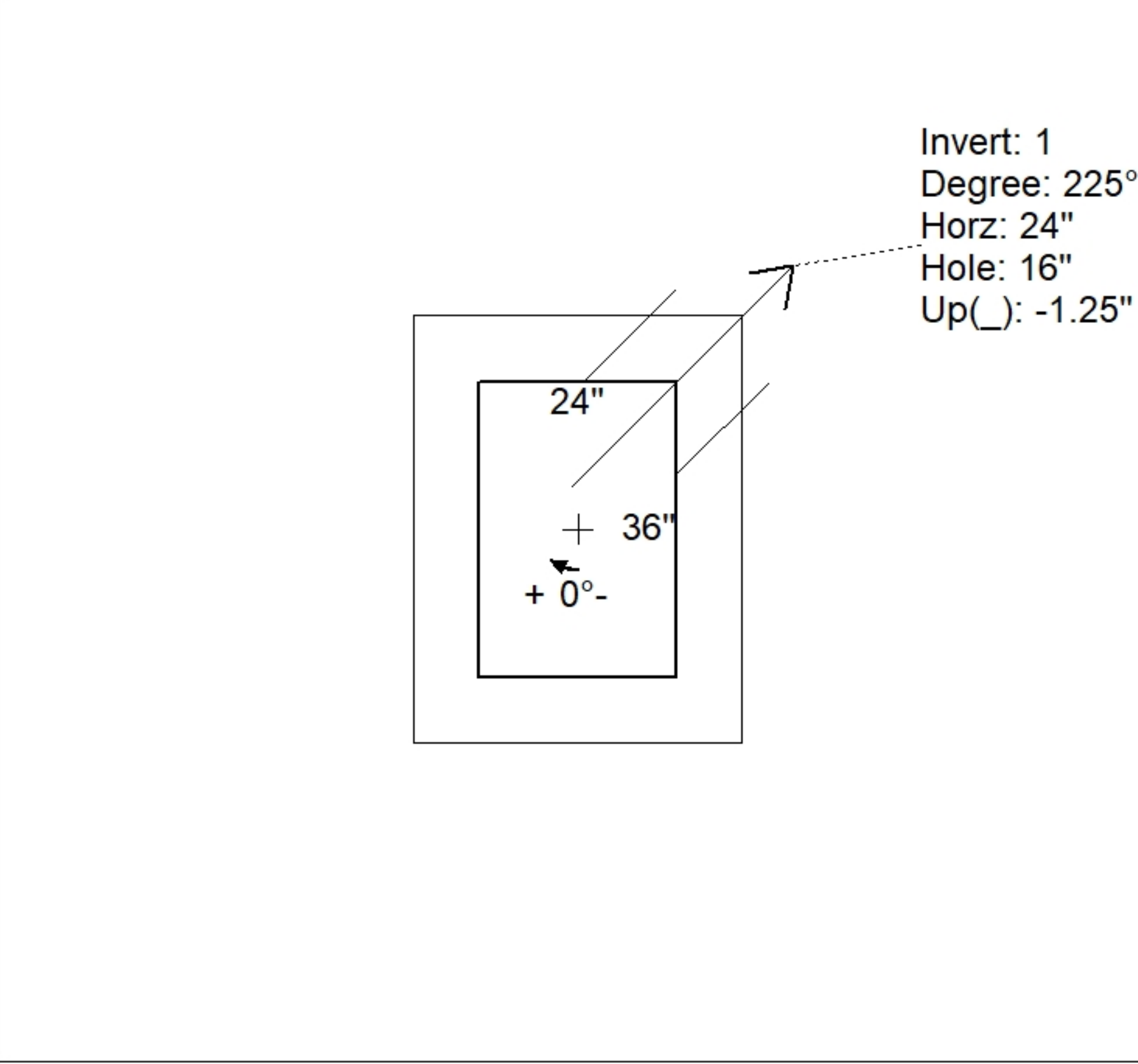
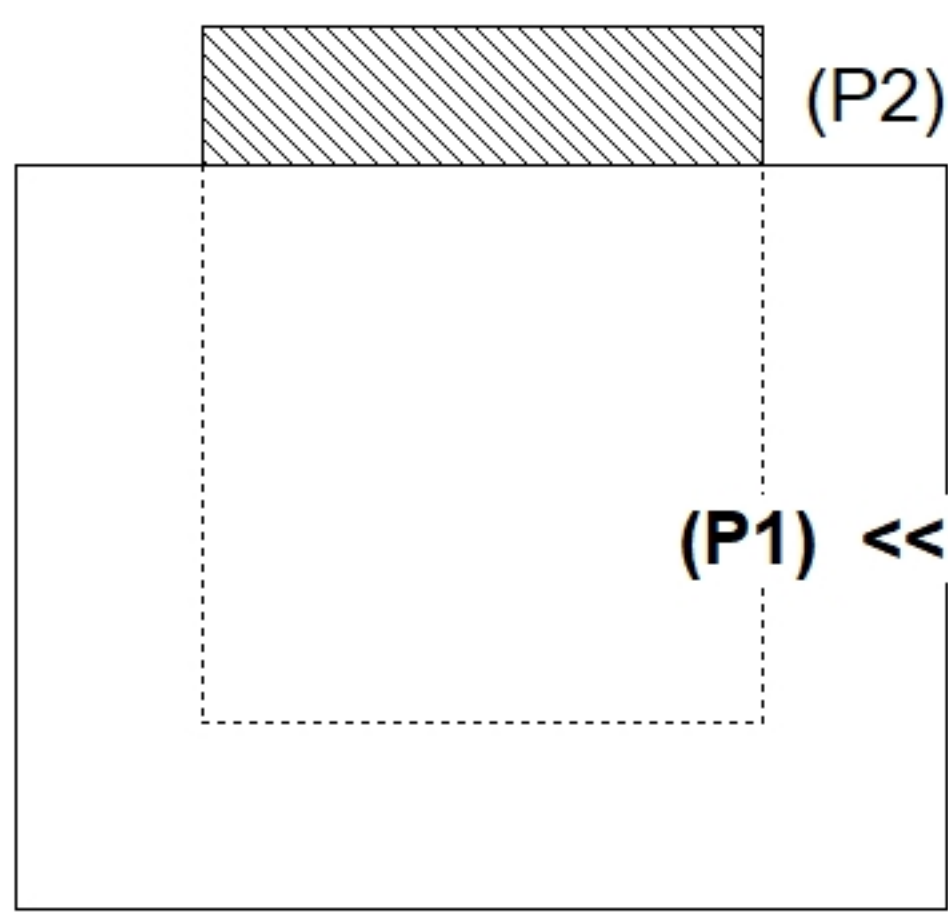
1. JR HOE HOE-525-LV PROVIDED BY ICAST.
2. PER ASTM C913 SPECIFICATIONS.
3. CONCRETE = 4,000 PSI AT 28 DAYS.
4. REINFORCING PER ASTM A615 (GRADE 60).
 - WALLS (As .12) #5 BARS AT 12" C.C.E.W.
 - FLOOR (As .12) #5 BARS AT 12" C.C.E.W.

Rim: 357.8' Rim to Invert: 2.56' Slack: 0.72" Sump: 0" Step Position:

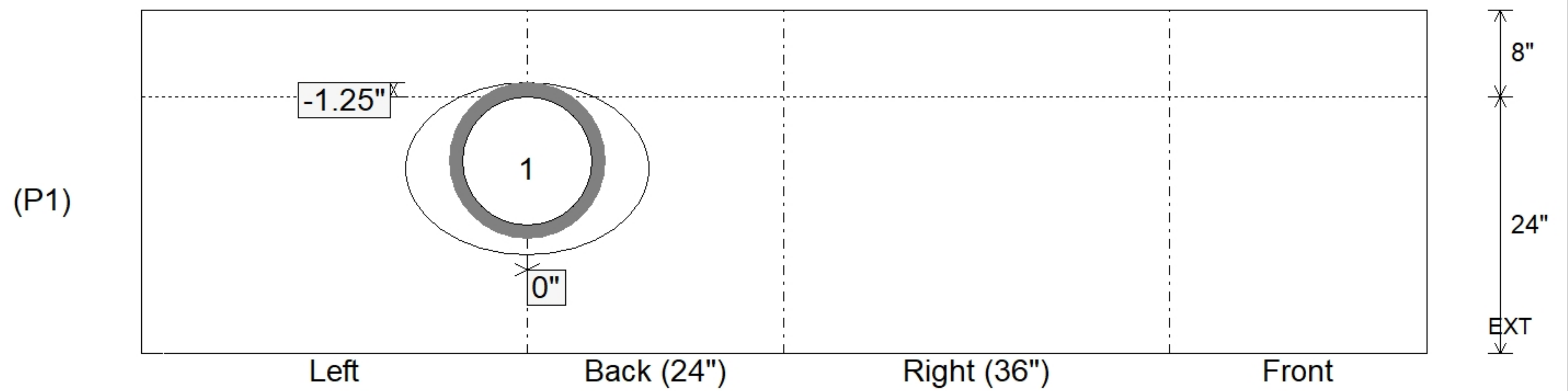
Position	Elev	Angle	Ext. (cw)	Pipe	Pipe OD	Connector	Hole	Horz Size	Up ()	Offset
Invert 1	355.24'	225°	40"	12" HDPE	14.5"	Hole 16	16"	11.324", 11.303"	-1.25"	-4.25"
Invert 2										
Invert 3										
Invert 4										
Invert 5										
Invert 6										
Invert 7										
Invert 8										

RIGHT-SIDE UP VIEW (int. dimensions)

UPSIDE-DOWN VIEW (int. dimensions)



INSIDE WALL DIMENSIONS



Coating (Int):	Seam Up: Flat	Wall Thickness: 8"	Height (Int): 24"
Coating (Ext):	Seam Dn: n/a	Floor Height: 8"	Height (Ext): 32"
		Weight (Net): 3654 lb	
		Volume (Net): 0.93cu.yd	