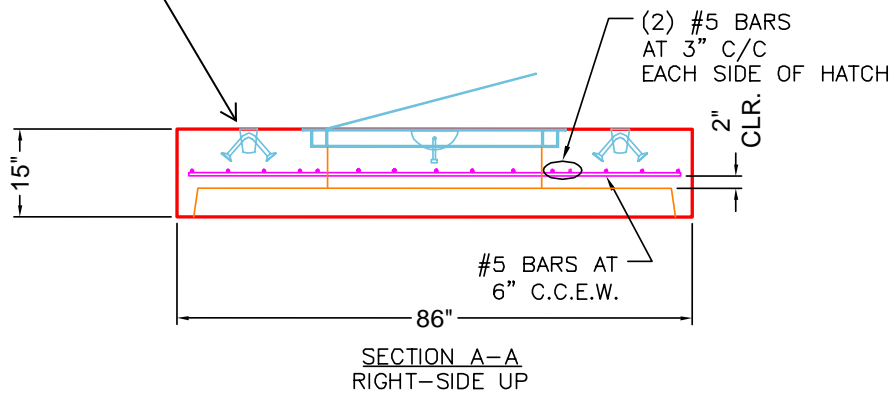


TOP SURFACE TO HAVE A LIGHT BROOM FINISH

PLAN VIEW



GENERAL NOTES:

1. MANUFACTURED PER ASTM C478 SPECIFICATIONS
2. CONCRETE = 4,000 PSI AT 28 DAYS.
3. REINFORCING PER ASTM A615 (GRADE 60).

PRODUCTION WORK ORDER

PRODUCT I.D.:  
MH072LD15SP

DESCRIPTION:  
MH 72in FLAT LID, 15in HEIGHT, SPECIAL



QUALITY CONTROL CHECKLIST

- ALL DIMENSIONS CORRECT.
- LIFTERS INSTALLED.
- NO STEPS.
- REINFORCING CORRECT.
- SURFACE QUALITY ACCEPTABLE.
- EDGES CHAMFERED.
- ALL PATCHWORK ACCEPTABLE.

PRODUCT VIEW: RIGHT SIDE UP

PLANT: BEAVER DAM, KY.

WEIGHT: 3,902 LBS.

TOP SECTION JOINT: FLAT

BASE SECTION JOINT: GROOVE

QC CHECK INITIALS:

CUSTOMER: PRESTONSBURG CITY'S UTL COMMISSION

PROJECT: REPLACEMENT TOP SLAB

STRUCTURE: 6' FLAT LID

ORDER NO: 25-2875

CHKD: B. SMITH

DRAWING: c. RUSS

DATE: 08/26/25

SCALE: NTS

PG. 1 of 1