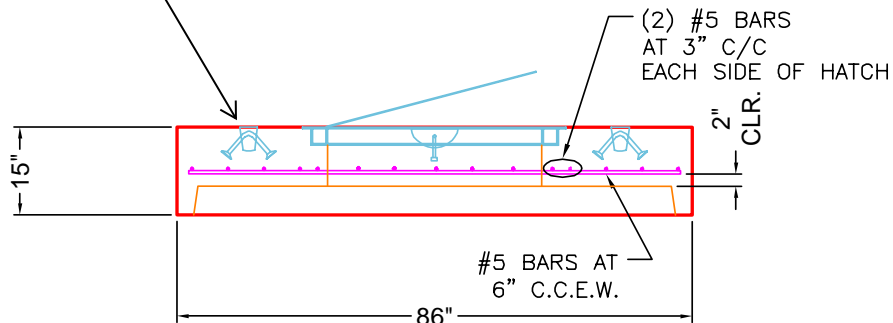


TOP SURFACE TO HAVE A
LIGHT BROOM FINISH

PLAN VIEW



SECTION A-A
RIGHT-SIDE UP

GENERAL NOTES:

1. MANUFACTURED PER ASTM C478 SPECIFICATIONS
2. CONCRETE = 4,000 PSI AT 28 DAYS.
3. REINFORCING PER ASTM A615 (GRADE 60).

**SEE NEXT PAGE
FOR HATCH DETAIL**

PRODUCTION WORK ORDER

PRODUCT I.D.:
MH072LD15SP

DESCRIPTION:
MH 72in FLAT LID, 15in HEIGHT, SPECIAL



QUALITY CONTROL CHECKLIST

- ALL DIMENSIONS CORRECT.
- LIFTERS INSTALLED.
- NO STEPS.
- REINFORCING CORRECT.
- SURFACE QUALITY ACCEPTABLE.
- EDGES CHAMFERED.
- ALL PATCHWORK ACCEPTABLE.

PRODUCT VIEW: RIGHT SIDE UP

PLANT: BEAVER DAM, KY.

WEIGHT: 3,902 LBS.

TOP SECTION JOINT: FLAT

BASE SECTION JOINT: GROOVE

QC CHECK INITIALS:

CUSTOMER: PRESTONSBURG CITY'S UTL COMMISSION

PROJECT: REPLACEMENT TOP SLAB

STRUCTURE: 6' FLAT LID

ORDER NO: 25-2875

CHKD: B. SMITH

DRAWING: c. RUSS

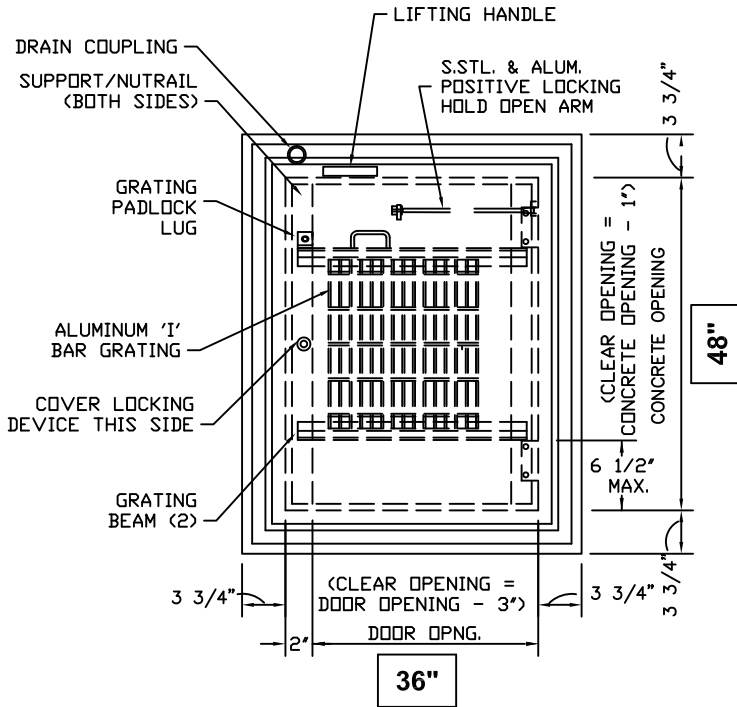
DATE: 08/26/25

SCALE: NTS

PG. 1 of 1



MODEL NO. W1S036048CBDPF-----
 QUANTITY: 1
 DOCUMENT NO. Q96639
 DATE: 8/27/25
 LOCATION/TAG: PRESTONSBURG

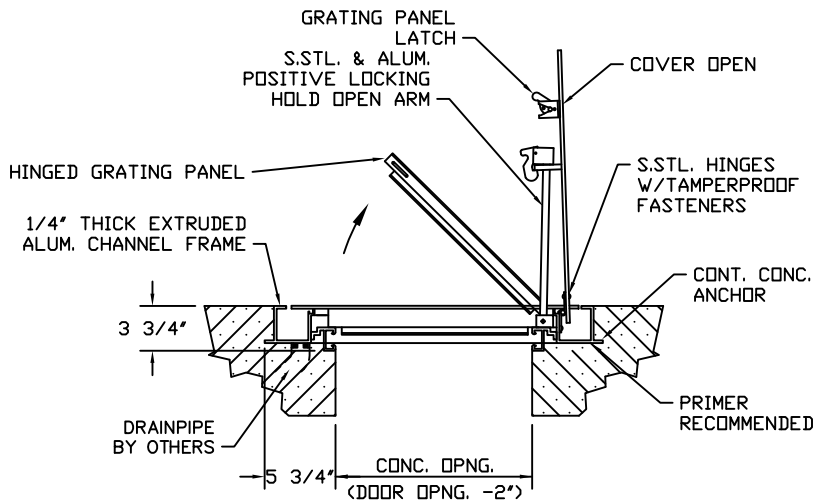


STANDARD FEATURES:

- 1/4 ALUMINUM TREAD PLATE COVER
- 1/4 THICK ALUMINUM FRAME EXTRUSION
- T-316 STAINLESS STEEL HARDWARE
- S.STL. & ALUM. HOLD OPEN ARM
- RECESSED LIFT HANDLE (S)
- 1 1/2" DRAIN COUPLING
- HINGED AND LOCKABLE PROTECTIVE GRATING PANEL (POWDER COATED, SAFETY ORANGE COLOR)
- LIFETIME GUARANTEE
- 300 LB. PER SQ. FT. LOAD RATING

OPTIONS/FEATURES:

<input type="checkbox"/>	PADLOCK BAR
<input checked="" type="checkbox"/>	S.STL. SLAM LOCK W/ KEY
<input type="checkbox"/>	RECESSED LOCK BOX
<input type="checkbox"/>	KEYED CYLINDER LOCK
<input checked="" type="checkbox"/>	SPRING ASSIST
<input checked="" type="checkbox"/>	EPDM GASKET/CUSHION
<input checked="" type="checkbox"/>	BITUMINOUS COATING
<input type="checkbox"/>	PVC PROTECTIVE FILM
<input type="checkbox"/>	10" SLAB SKIRT HEIGHT (INCLUDING FRAME)
<input type="checkbox"/>	CLEAR ANODIZED FINISH
<input type="checkbox"/>	SAFETY CHAIN WITH POSTS
<input type="checkbox"/>	EMBED FLANGE REMOVED
<input type="checkbox"/>	2" INSULATION W/ CAPTIVE PAN
<input type="checkbox"/>	NUTRIL - SPECIFY LENGTH & LOCATION
<input type="checkbox"/>	RETRO-GRATE (SEE ATTACHED DETAIL)
<input type="checkbox"/>	BOLT DOWN COVER
<input type="checkbox"/>	INSPECTION DOOR
<input type="checkbox"/>	MODULAR DESIGN
<input type="checkbox"/>	SIDE DRAIN
<input type="checkbox"/>	MISCELLANEOUS



SECTION

** THE GASKET LIMITS ONLY THE TRANSMISSION OF ODORS AND DOES NOT PROTECT AGAINST CONDITIONS WHICH MIGHT POSE A THREAT TO EITHER THE HEALTH AND SAFETY OF PEOPLE, ANIMALS OR DAMAGE TO EQUIPMENT AND PROPERTY.
 (NOTE: WHEN ODOR RESISTANCE IS REQUIRED A SLAM LOCK MUST BE PROVIDED)

NOTE: STANDARD PRODUCT WARRANTY DOES NOT COVER CORROSION FROM CHLORINE CONTACT.