

Job Name: 25-2868 USI Wright Admin Renovation
 Job Location: Evansville, IN
 Contractor: Empire Contractors, Inc.

Plant: Beaver Dam

Tech: J. Coppage

2/2/2026 10:31:38 AM

PC: C. Goff



Structure ID: 303

P1 MH048BA30CDARED

MH BASE w/DROP/ConBlock-CDA Red

- P5) 24" - CASTING HEIGHT - 7"
- P4) 24" - GRADE RING w/ConBlock-CDA Red - 4"
- P3) 48" - ECC CONE w/ 24" HOLE, w/ConBlock-CDA Red - 36"
- P2) 48" - MH RISER w/DROP/ConBlock-CDA Red - 72"
- P1) 48" - MH BASE w/DROP/ConBlock-CDA Red - 30"
- 1) JOINT WRAP - 0.065"x6"x50' CONSEAL CS212
- 1) JOINT WRAP PRIMER - CONSEAL CS-75 (1 gal.)
- 1) 48" - MH INVERT CHANNEL EWSU w/ConBlock-CDA Red - FULL HEIGHT
- 2) 48" - Conseal CS-102 1.00" (Double)
- 1) PSX - 12-06 NYLO
- 2) Drop Tee - 6" PVC

- Structure Notes:**
1. JR HOE MC-315 SANITARY PROVIDED BY ICAST.
 2. PER ASTM C478 SPECIFICATIONS.
 3. CONCRETE = 4,000 PSI AT 28 DAYS.
 4. ADMIXTURE = CONBLOCK CDA RED.
 5. REINFORCING PER ASTM A615 (GRADE 60).
 - CONE (As .12)
 - RISER/WALLS (As .12)
 - FLOOR (As .31) #5 BARS AT 12" C.C.E.W.
 6. NO STEPS
 7. EWSU STYLE INVERT CHANNEL TO BE PROVIDED.

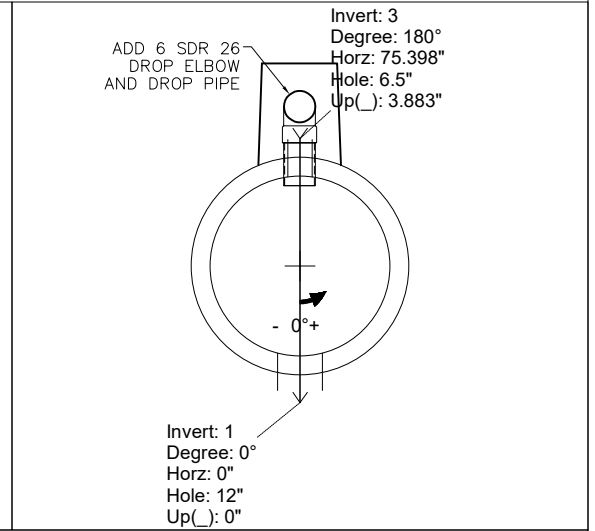
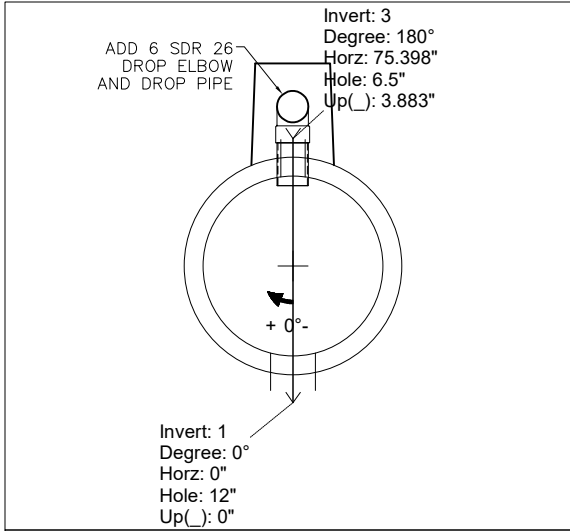
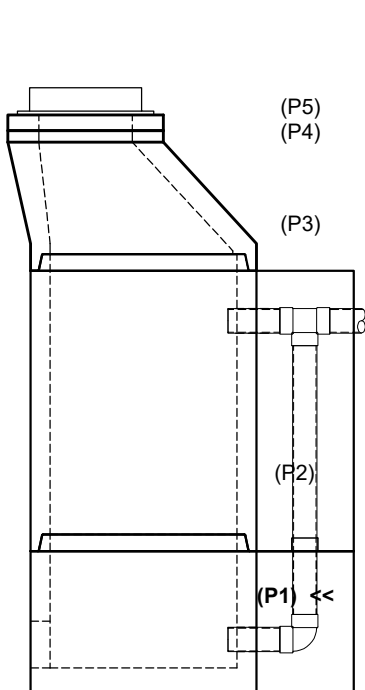
Structure Total: 12349 lb

Rim: 485' Rim to Invert: 12.32' Slack: 1.773" Sump: 2.933" Step Position:

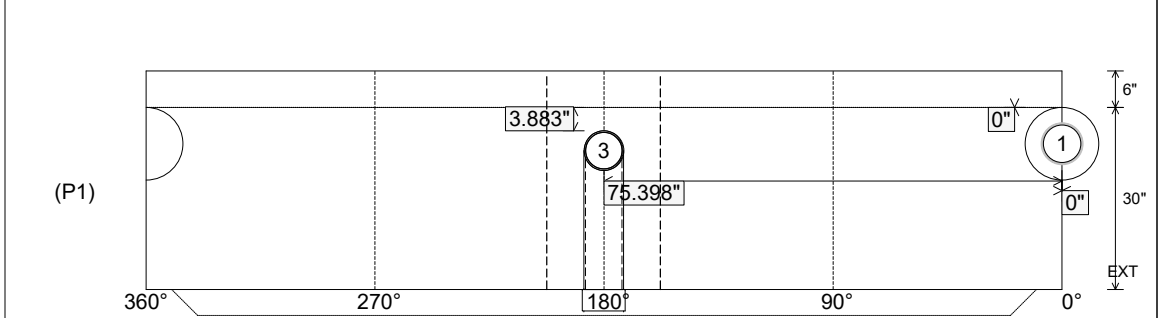
Position	Elev	Angle	Ext. (cw)	Pipe	Pipe OD	Connector	Hole	Horz Size	Up ()	Offset
Invert 1	472.68'	0°	0"	6" PVC C900 CERTA LOK	6.9"	PSX 12-06 NYLO	12"	12.129"	0"	0"
Invert 2										
Invert 3	472.78'	180°	91.106"	6" PVC SDR26	6.25"	Drop Tee 6" PVC	6.5"	6.52"	3.883"	0"
Invert 4										
Invert 5										
Invert 6										
Invert 7										
Invert 8										

RIGHT-SIDE UP VIEW (int. dimensions)

UPSIDE-DOWN VIEW (int. dimensions)



INSIDE WALL DIMENSIONS



Coating (Int):
Coating (Ext):

Seam Up: Tongue
Seam Dn: n/a

Wall Thickness: 5"
Floor Height: 6"

Height (Int): 30"
Height (Ext): 36"

Weight (Net): 3364 lb
Volume (Net): 0.86cu.yd

Job Name: 25-2868 USI Wright Admin Renovation
 Job Location: Evansville, IN
 Contractor: Empire Contractors, Inc.

Plant: Beaver Dam

Tech: J. Coppage

2/2/2026 10:31:38 AM

PC: C. Goff



Structure ID: 303

P1 MH048BA30CDARED

MH BASE w/DROP/ConBlock-CDA Red

- P5) 24" - CASTING HEIGHT - 7"
- P4) 24" - GRADE RING w/ConBlock-CDA Red - 4"
- P3) 48" - ECC CONE w/ 24" HOLE, w/ConBlock-CDA Red - 36"
- P2) 48" - MH RISER w/DROP/ConBlock-CDA Red - 72"
- P1) 48" - MH BASE w/DROP/ConBlock-CDA Red - 30"
- 1) JOINT WRAP - 0.065"x6"x50' CONSEAL CS212
- 1) JOINT WRAP PRIMER - CONSEAL CS-75 (1 gal.)
- 1) 48" - MH INVERT CHANNEL EWSU w/ConBlock-CDA Red - FULL HEIGHT
- 2) 48" - Conseal CS-102 1.00" (Double)
- 1) PSX - 12-06 NYLO
- 2) Drop Tee - 6" PVC

**INVERT CHANNEL DRAWING
 EWSU STYLE
 FULL HEIGHT INVERT**

Structure Total: 12349 lb

Structure Notes:

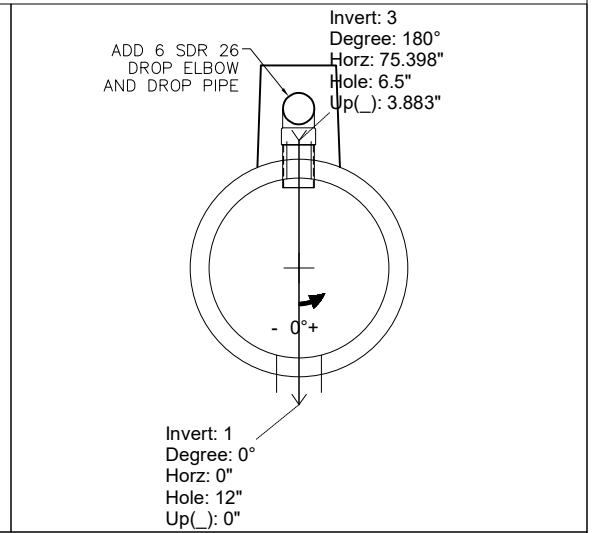
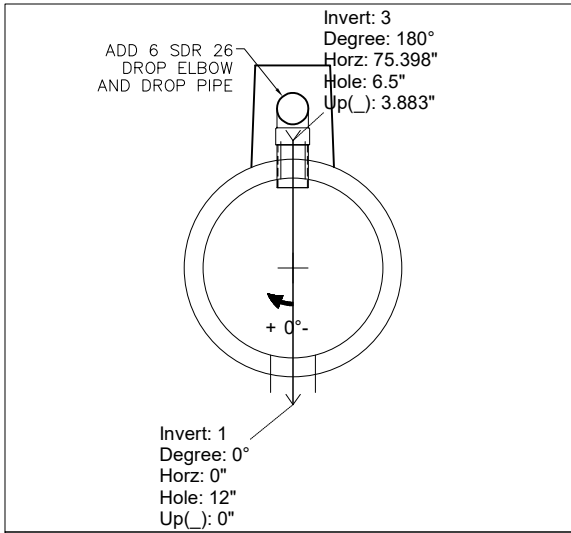
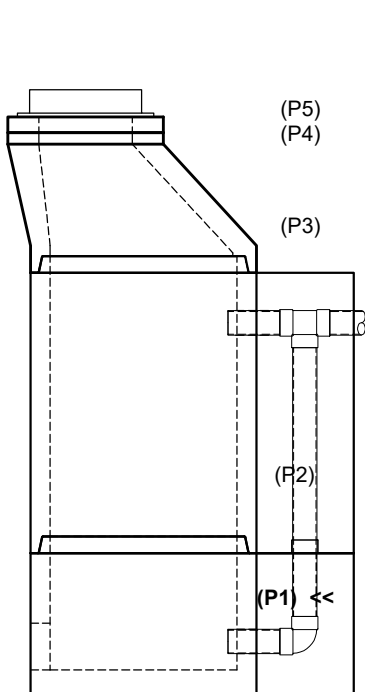
1. JR HOE MC-315 SANITARY PROVIDED BY ICAST.
2. PER ASTM C478 SPECIFICATIONS.
3. CONCRETE = 4,000 PSI AT 28 DAYS.
4. ADMIXTURE = CONBLOCK CDA RED.
5. REINFORCING PER ASTM A615 (GRADE 60).
- CONE (As .12)
- RISER/WALLS (As .12)
- FLOOR (As .31) #5 BARS AT 12" C.C.E.W.
6. NO STEPS
7. EWSU STYLE INVERT CHANNEL TO BE PROVIDED.

Rim: 485' Rim to Invert: 12.32' Slack: 1.773" Sump: 2.933" Step Position:

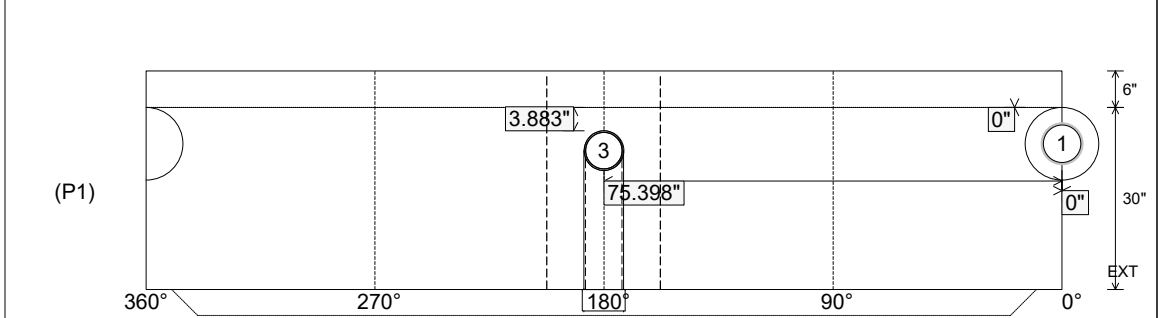
Position	Elev	Angle	Ext. (cw)	Pipe	Pipe OD	Connector	Hole	Horz Size	Up ()	Offset
Invert 1	472.68'	0°	0"	6" PVC C900 CERTA LOK	6.9"	PSX 12-06 NYLO	12"	12.129"	0"	0"
Invert 2										
Invert 3	472.78'	180°	91.106"	6" PVC SDR26	6.25"	Drop Tee 6" PVC	6.5"	6.52"	3.883"	0"
Invert 4										
Invert 5										
Invert 6										
Invert 7										
Invert 8										

RIGHT-SIDE UP VIEW (int. dimensions)

UPSIDE-DOWN VIEW (int. dimensions)



INSIDE WALL DIMENSIONS



Coating (Int):
 Coating (Ext):

Seam Up: Tongue
 Seam Dn: n/a

Wall Thickness: 5"
 Floor Height: 6"

Height (Int): 30"
 Height (Ext): 36"

Weight (Net): 3364 lb
 Volume (Net): 0.86cu.yd