

Job Name: 25-2861 Spencer Co Bus Garage
 Job Location: Taylorsville, Ky
 Contractor: Louisville Paving and Construction

Plant: Beaver Dam

Tech: C.Russ

10/22/2025 10:49:48 AM

PC: J.Jarvis



Structure ID: MH-8B

P2 MH048LD07ECC

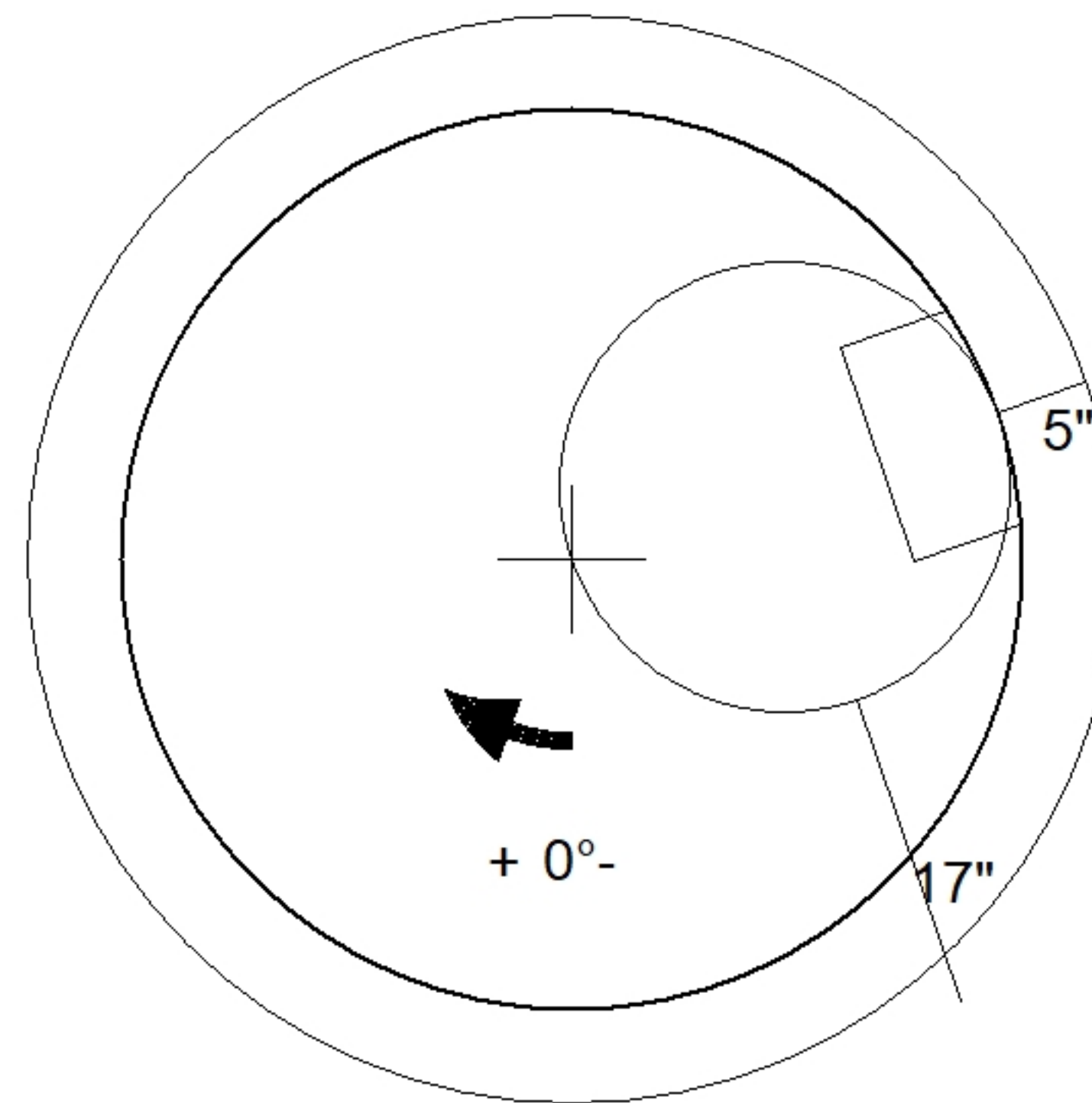
MH FLAT TOP w/ 24" ECC Hole F/F

- P3) 24" - CASTING HEIGHT - 7"
- P2) 48" - MH FLAT TOP w/ 24" ECC Hole F/F - 7"
- P1) 48" - MH BASE Custom Ht F/n - 70"
- 1) CASTING - HOE MC-315 F/C Storm
- 1) 48" - SGL 1"x14.5' Butyl (2x)
- 1) Hole - 26
- 3) Hole - 16
- 1) Hole - 20
- 6) MH Step ML-10-TDS-NCR - 10"

0 lb
 1286 lb
 5595 lb
 258 lb
 0 lb
 0 lb
 0 lb
 0 lb
 0 lb
 0 lb

 Structure Total: 7139 lb

- Structure Notes:
1. PER ASTM C478 SPECIFICATIONS.
 2. CONCRETE = 4,000 PSI AT 28 DAYS.
 3. HOE MC-315 "STORM" PROVIDED BY ICAST.
 4. REINFORCING PER ASTM A615 (GRADE 60).
 - TOP SLAB (As .62) #5 BARS AT 6" C.C.E.W..
 - RISER/WALLS (As .12)
 - FLOOR (As .31) #5 BARS AT 12" C.C.E.W.



48" - MH FLAT TOP w/ 24" ECC Hole F/F - 7" - (P2)

Coating (Int):
 Coating (Ext):

Seam Up: Flat
 Seam Dn: Flat

Wall Thickness: 5"

Height (Ext): 7"

Weight (Net): 1286 lb
 Volume (Net): 0.33cu.yd