

Job Name: 25-2861 Spencer Co Bus Garage
Job Location: Taylorsville, Ky
Contractor: Louisville Paving and Construction

PC: J.Jarvis
 TECH: C.Russ
 Plant: Beaver Dam



Structure ID: **DI-5B**

Spec: Storm
 Type: STM.MH (Recessed pipe)
 Size: 48"

Rim: 703'
 Invert: 698.25'
 Rim to Invert: 4.75'

Sump: 0"
 Floor (Top): 698.25'
 Floor Height: 6"

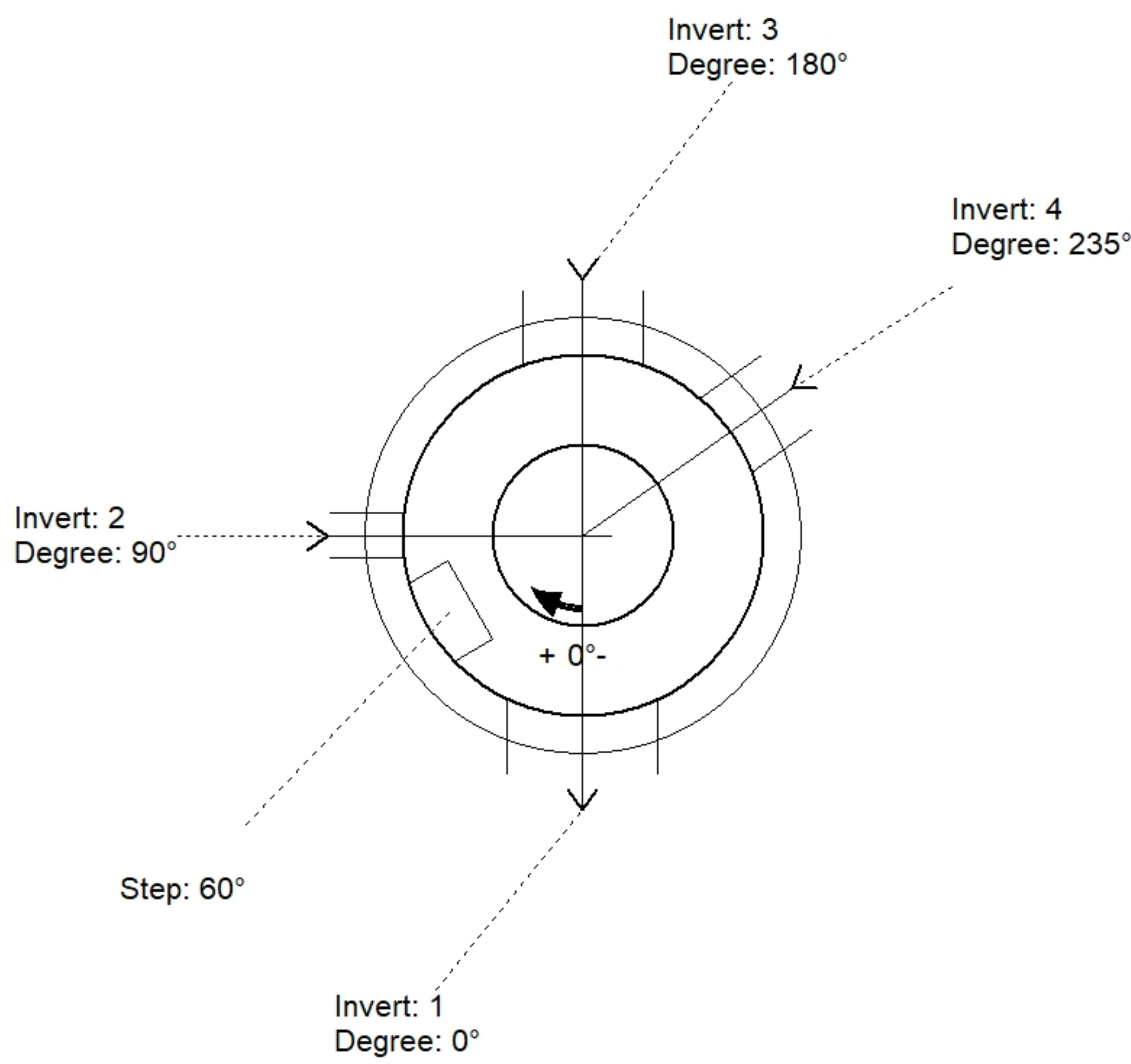
Floor (Bot): 697.75'
 Overall Height: 5.25'
 Slack: 0"

Structure Notes:

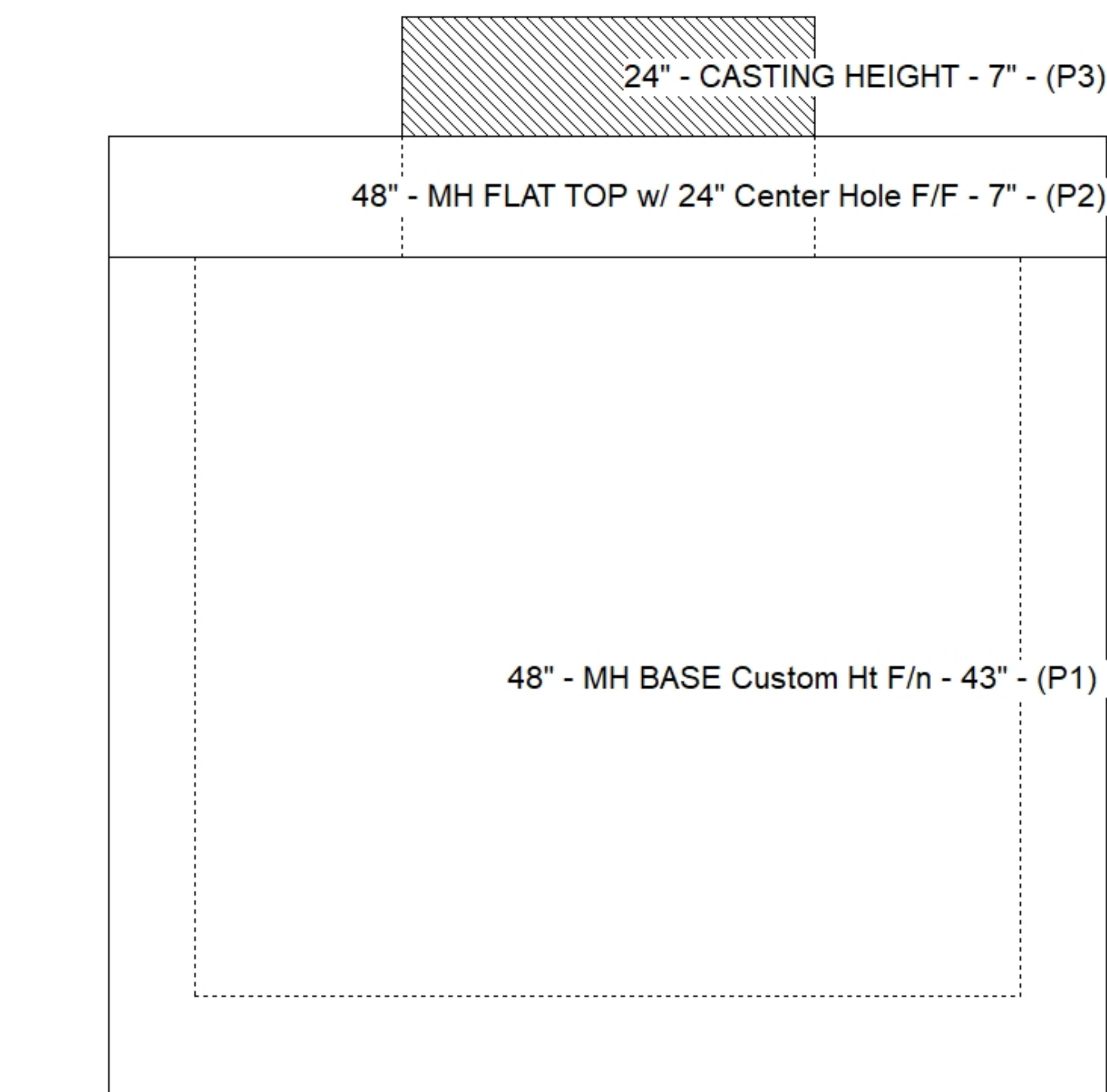
1. PER ASTM C478 SPECIFICATIONS.
2. CONCRETE = 4,000 PSI AT 28 DAYS.
3. MCB-315 B PROVIDED BY ICAST.
4. REINFORCING PER ASTM A615 (GRADE 60).
 - TOP SLAB (As .62) #5 BARS AT 6" C.C.E.W..
 - RISER/WALLS (As .12)
 - FLOOR (As .31) #5 BARS AT 12" C.C.E.W.

STRUCTURE SUMMARY:

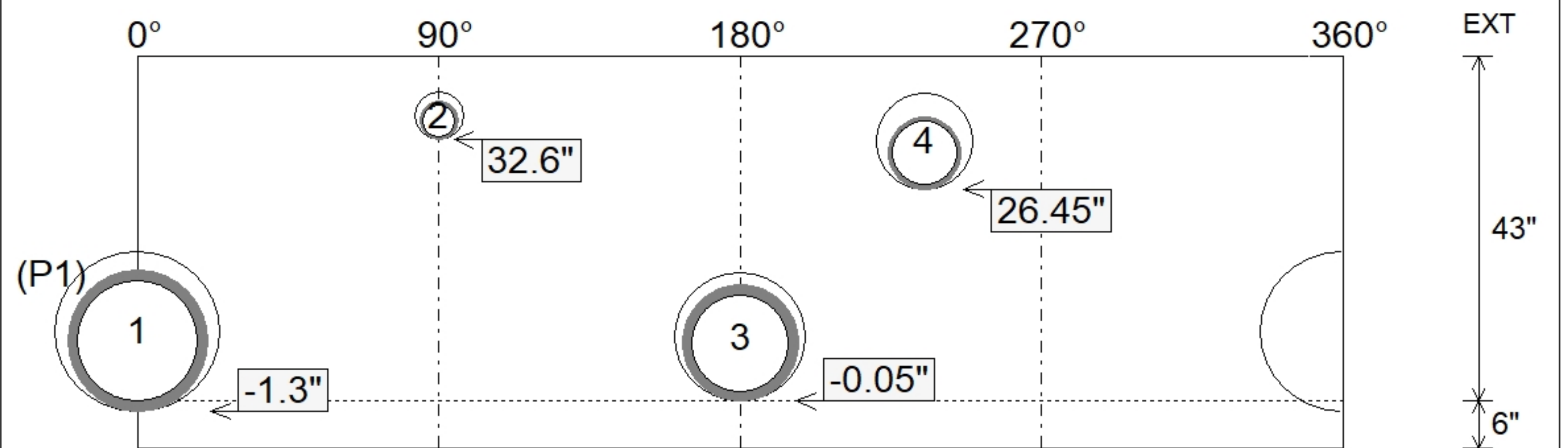
P3) 24" - CASTING HEIGHT - 7"	0 lb
P2) 48" - MH FLAT TOP w/ 24" Center Hole F/F - 7"	1700 lb
P1) 48" - MH BASE Custom Ht F/n - 43"	4053 lb
1) CASTING - HOE 280T F/G	182 lb
1) 48" - SGL 1"x14.5' Butyl (2x)	0 lb
1) Hole - 20	0 lb
1) Hole - 6	0 lb
1) Hole - 16	0 lb
1) Hole - 12	0 lb
4) MH Step ML-10-TDS-NCR - 10"	0 lb
Structure Total:	5935 lb



Position	Elev	Angle	Pipe	Pipe OD	Hole	Connector	Up (")	Ref
Rim	703'							
Reducer								
Invert 1	698.25'	0°	15" HDPE	17.6"	20"	Hole 20	-1.3"	P1
Invert 2	701'	90°	4" HDPE (perf pipe)	4.8"	6"	Hole 6	32.6"	P1
Invert 3	698.35'	180°	12" HDPE	14.5"	16"	Hole 16	-0.05"	P1
Invert 4	700.5'	235°	8" HDPE	9.1"	12"	Hole 12	26.45"	P1
Invert 5								
Invert 6								
Invert 7								
Invert 8								



Default - Interior Dimensions



Submittal Drawing
 10/22/2025 10:48:57 AM

SUBMITTAL
 APPROVED BY: