

Job Name: 25-2861 Spencer Co Bus Garage
 Job Location: Taylorsville, Ky
 Contractor: Louisville Paving and Construction

Plant: Beaver Dam

Tech: C.Russ

10/22/2025 10:49:23 AM

PC: J.Jarvis



Structure ID: DI-5B

P1 MH048BAVF

MH BASE Custom Ht F/n

P3) 24" - CASTING HEIGHT - 7"	0 lb
P2) 48" - MH FLAT TOP w/ 24" Center Hole F/F - 7"	1700 lb
P1) 48" - MH BASE Custom Ht F/n - 43"	4053 lb
1) CASTING - HOE 280T F/G	182 lb
1) 48" - SGL 1"x14.5' Butyl (2x)	0 lb
1) Hole - 20	0 lb
1) Hole - 6	0 lb
1) Hole - 16	0 lb
1) Hole - 12	0 lb
4) MH Step ML-10-TDS-NCR - 10"	0 lb
Structure Total:	5935 lb

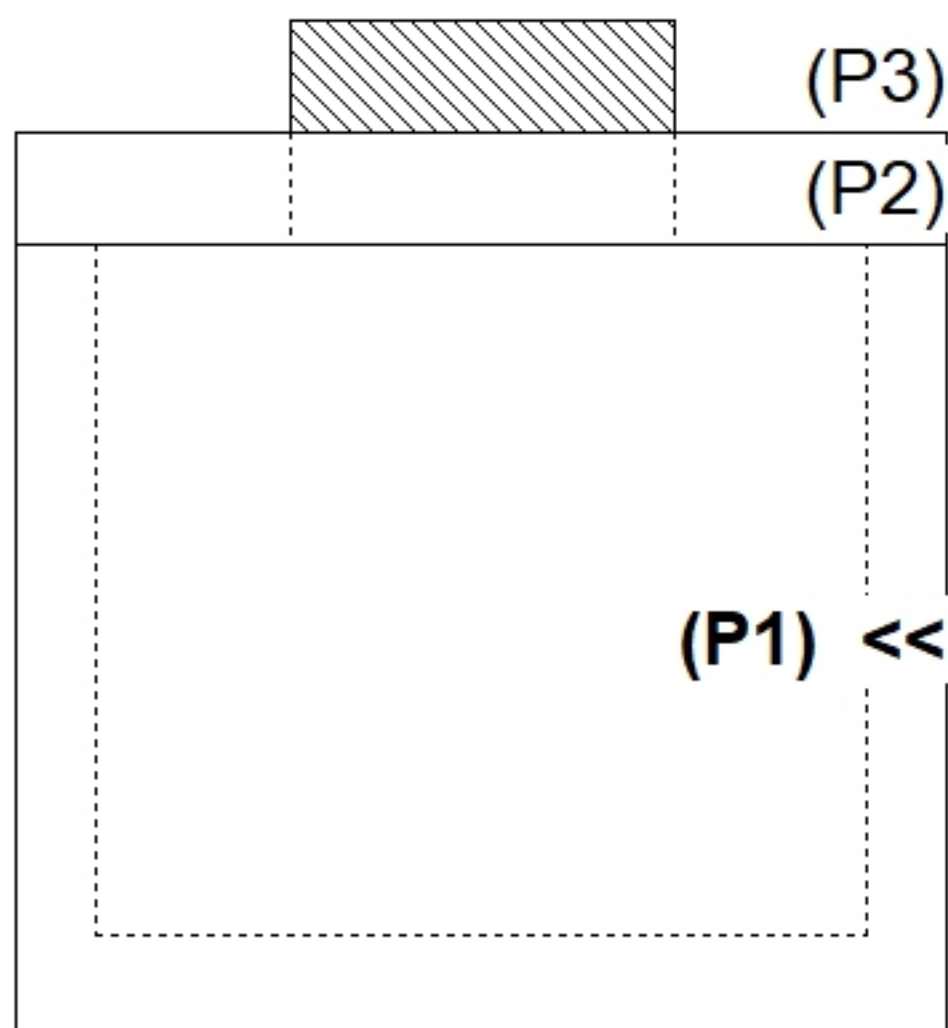
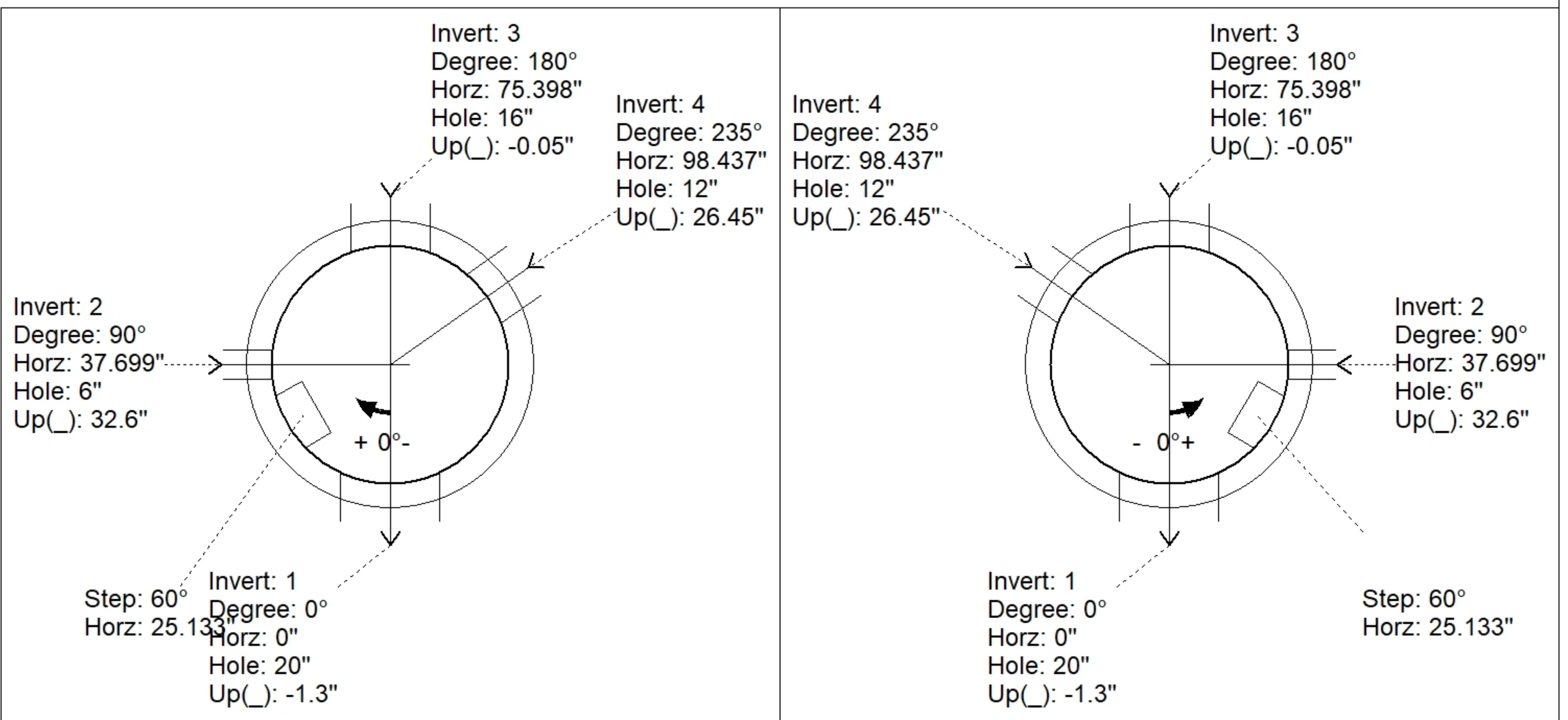
Structure Notes:
 1. PER ASTM C478 SPECIFICATIONS.
 2. CONCRETE = 4,000 PSI AT 28 DAYS.
 3. MCB-315 B PROVIDED BY ICAST.
 4. REINFORCING PER ASTM A615 (GRADE 60).
 - TOP SLAB (As .62) #5 BARS AT 6" C.C.E.W..
 - RISER/WALLS (As .12)
 - FLOOR (As .31) #5 BARS AT 12" C.C.E.W.

Rim: 703' Rim to Invert: 4.75' Slack: 0" Sump: 0" Step Position: 60°

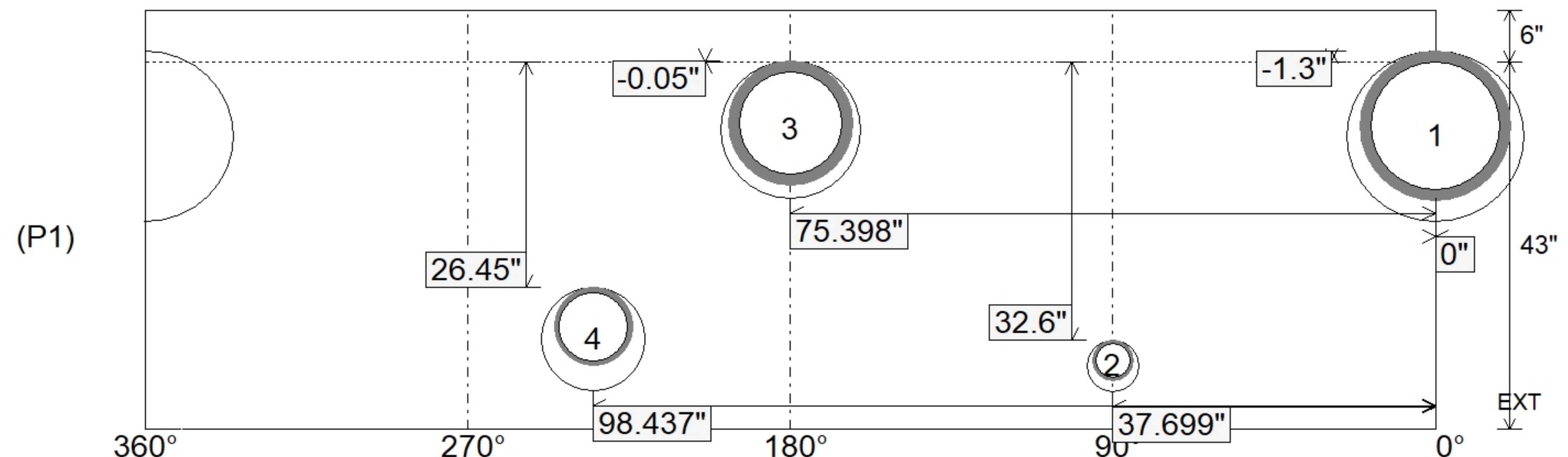
Position	Elev	Angle	Ext. (cw)	Pipe	Pipe OD	Connector	Hole	Horz Size	Up ()	Offset
Invert 1	698.25'	0°	0"	15" HDPE	17.6"	Hole 20	20"	20.629"	-1.3"	0"
Invert 2	701'	90°	45.553"	4" HDPE (perf pipe)	4.8"	Hole 6	6"	6.016"	32.6"	0"
Invert 3	698.35'	180°	91.106"	12" HDPE	14.5"	Hole 16	16"	16.312"	-0.05"	0"
Invert 4	700.5'	235°	118.944"	8" HDPE	9.1"	Hole 12	12"	12.129"	26.45"	0"
Invert 5										
Invert 6										
Invert 7										
Invert 8										

RIGHT-SIDE UP VIEW (int. dimensions)

UPSIDE-DOWN VIEW (int. dimensions)



INSIDE WALL DIMENSIONS



Coating (Int):	Seam Up: Flat	Wall Thickness: 5"	Height (Int): 43"	Weight (Net): 4053 lb
Coating (Ext):	Seam Dn: n/a	Floor Height: 6"	Height (Ext): 49"	Volume (Net): 1.03cu.yd