

**Job Name: 25-2861 Spencer Co Bus Garage**  
**Job Location: Taylorsville, Ky**  
**Contractor: Louisville Paving and Construction**

PC: J.Jarvis  
 TECH: C.Russ  
 Plant: Beaver Dam



Structure ID: **DI-4C**

Spec: Storm  
 Type: STM.MH (Recessed pipe)  
 Size: 48"

Rim: 700.5'  
 Invert: 697.06'  
 Rim to Invert: 3.44'

Sump: 0"  
 Floor (Top): 697.06'  
 Floor Height: 6"

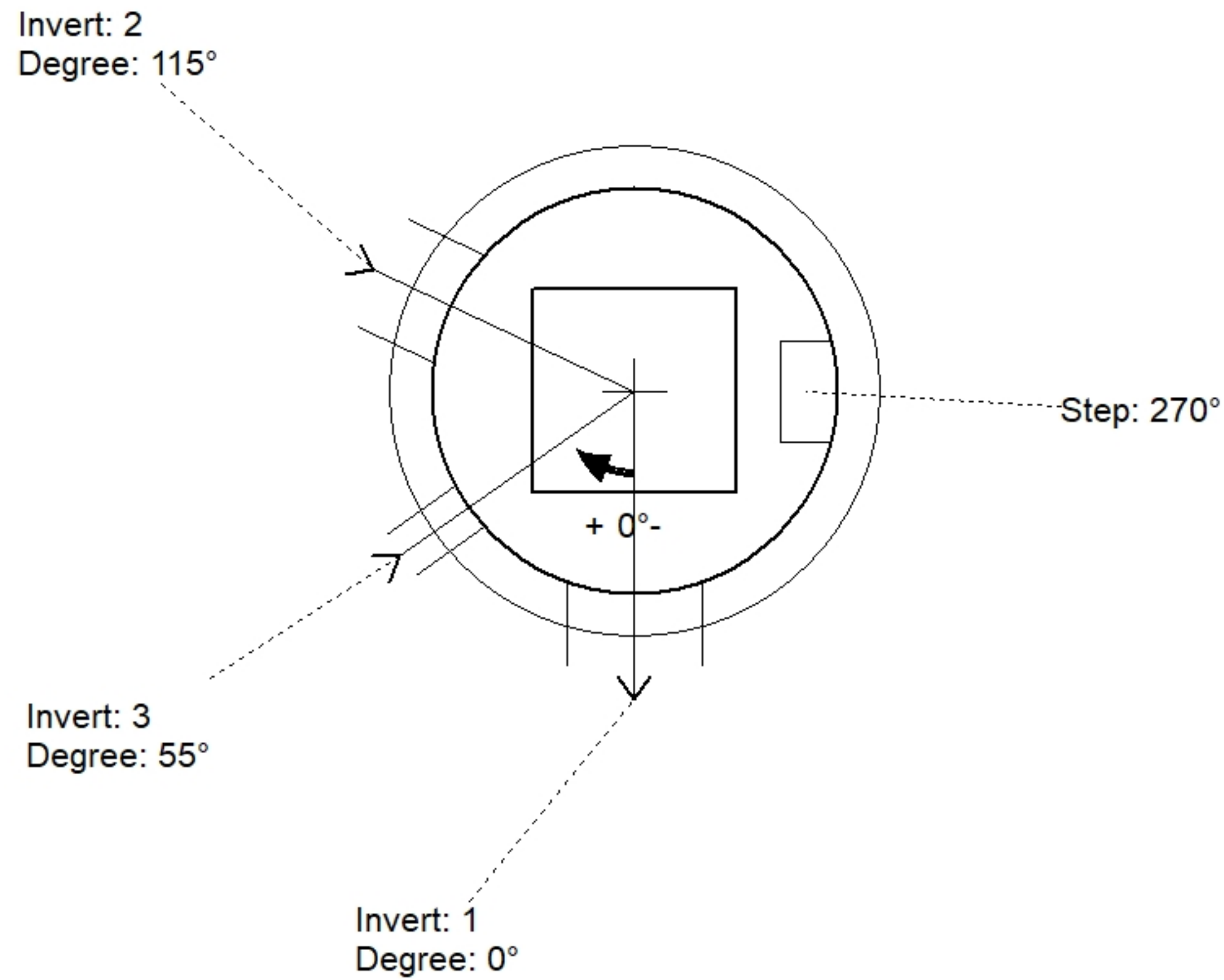
Floor (Bot): 696.56'  
 Overall Height: 3.917'  
 Slack: 0.28"

Structure Notes:

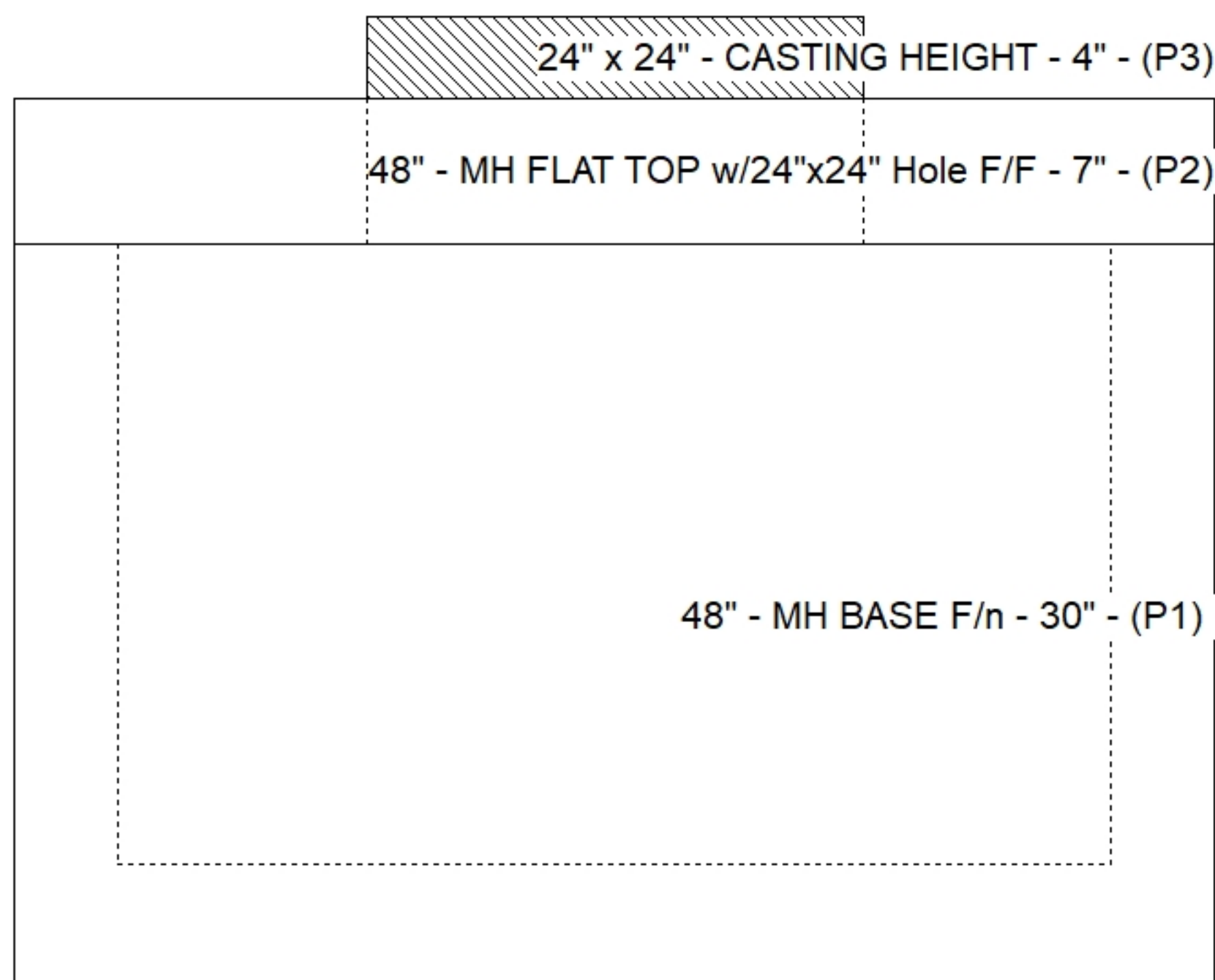
1. PER ASTM C478 SPECIFICATIONS.
2. CONCRETE = 4,000 PSI AT 28 DAYS.
3. HOE 280T PROVIDED BY ICAST.
4. REINFORCING PER ASTM A615 (GRADE 60).
  - TOP SLAB (As .62) #5 BARS AT 6" C.C.E.W..
  - RISER/WALLS (As .12)
  - FLOOR (As .31) #5 BARS AT 12" C.C.E.W.

STRUCTURE SUMMARY:

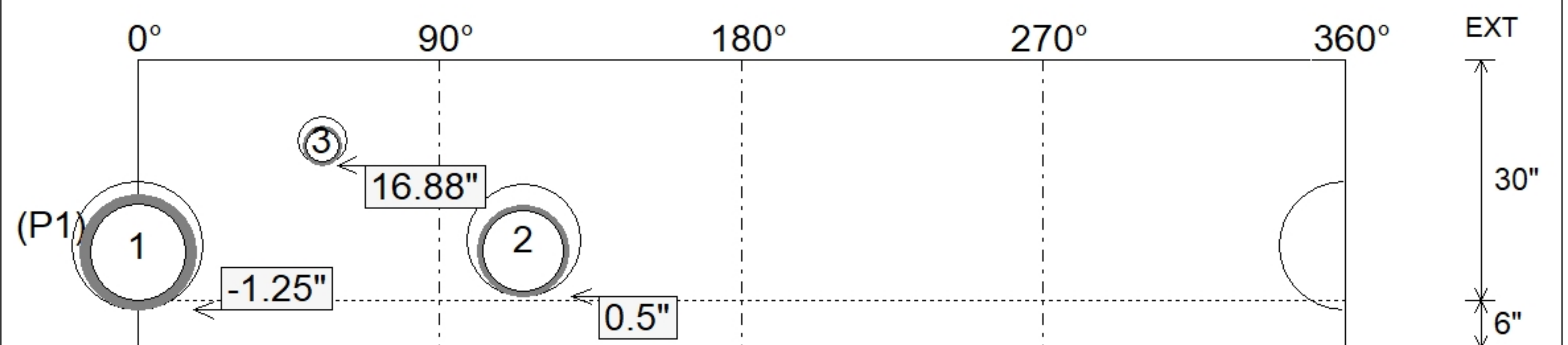
P3) 24" x 24" - CASTING HEIGHT - 4"	0 lb
P2) 48" - MH FLAT TOP w/24"x24" Hole F/F - 7"	1214 lb
P1) 48" - MH BASE F/n - 30"	3263 lb
1) CASTING - HOE 280T F/G	182 lb
1) 48" - SGL 1"x14.5' Butyl (2x)	0 lb
1) Hole - 16	0 lb
1) Hole - 14	0 lb
1) Hole - 6	0 lb
3) MH Step ML-10-TDS-NCR - 10"	0 lb
<b>Structure Total:</b>	<b>4659 lb</b>



Position	Elev	Angle	Pipe	Pipe OD	Hole	Connector	Up (")	Ref
Rim	700.5'							
Reducer								
Invert 1	697.06'	0°	12" HDPE	14.5"	16"	Hole 16	-1.25"	P1
Invert 2	697.16'	115°	10" HDPE	11.4"	14"	Hole 14	0.5"	P1
Invert 3	698.5'	55°	4" HDPE (perf pipe)	4.8"	6"	Hole 6	16.88"	P1
Invert 4								
Invert 5								
Invert 6								
Invert 7								
Invert 8								



**Default - Interior Dimensions**



Submittal Drawing  
 10/22/2025 10:48:53 AM

SUBMITTAL  
 APPROVED BY: