

Job Name: 25-2861 Spencer Co Bus Garage
Job Location: Taylorsville, Ky
Contractor: Louisville Paving and Construction

PC: J.Jarvis
 TECH: C.Russ
 Plant: Beaver Dam



Structure ID: **DI-4B**

Spec: Storm
 Type: STM.MH (Recessed pipe)
 Size: 48"

Rim: 707'
 Invert: 702'
 Rim to Invert: 5'

Sump: 0"
 Floor (Top): 702'
 Floor Height: 6"

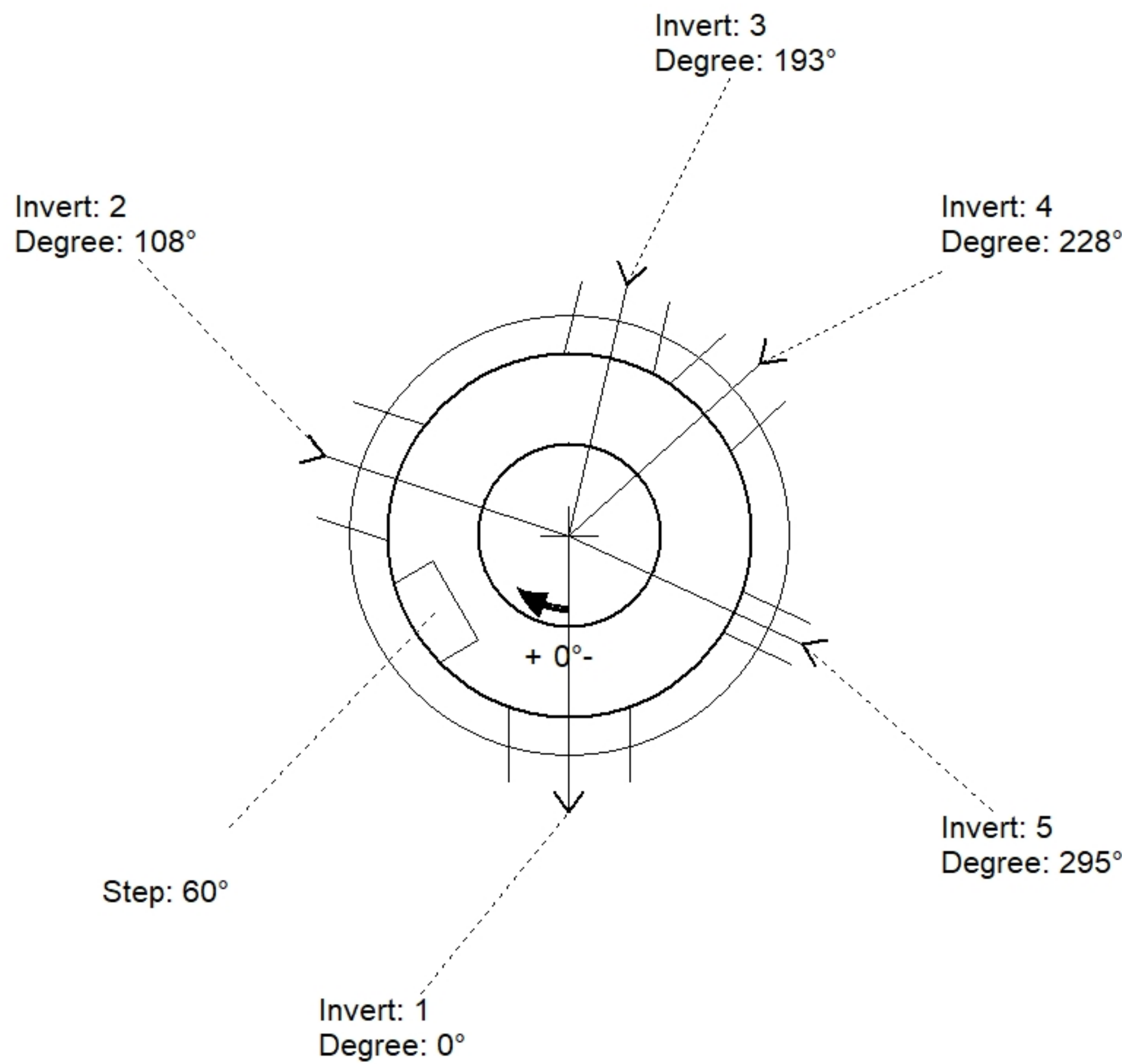
Floor (Bot): 701.5'
 Overall Height: 5.5'
 Slack: 0"

Structure Notes:

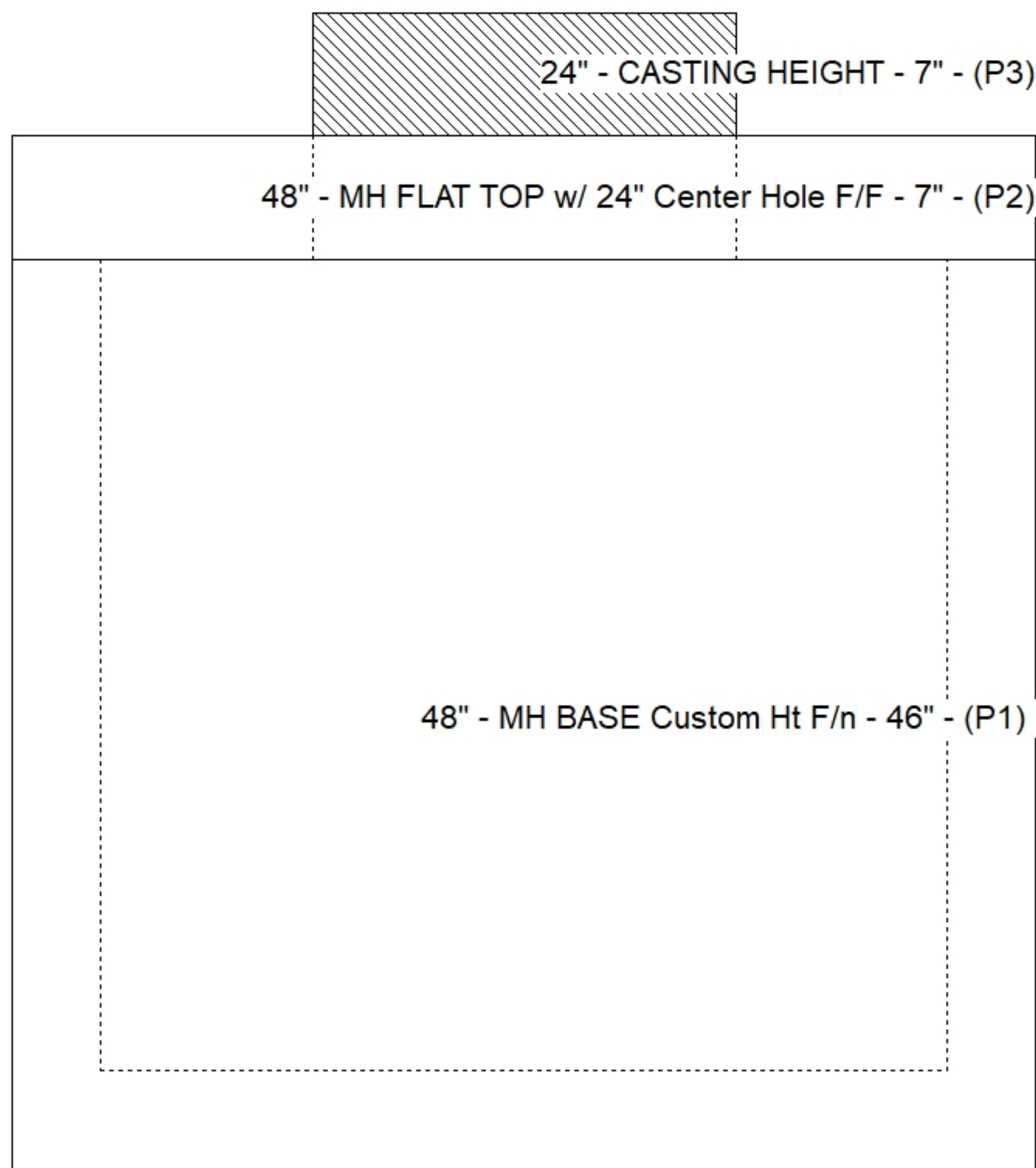
1. PER ASTM C478 SPECIFICATIONS.
2. CONCRETE = 4,000 PSI AT 28 DAYS.
3. MCB-315 B PROVIDED BY ICAST.
4. REINFORCING PER ASTM A615 (GRADE 60).
 - TOP SLAB (As .62) #5 BARS AT 6" C.C.E.W..
 - RISER/WALLS (As .12)
 - FLOOR (As .31) #5 BARS AT 12" C.C.E.W.

STRUCTURE SUMMARY:

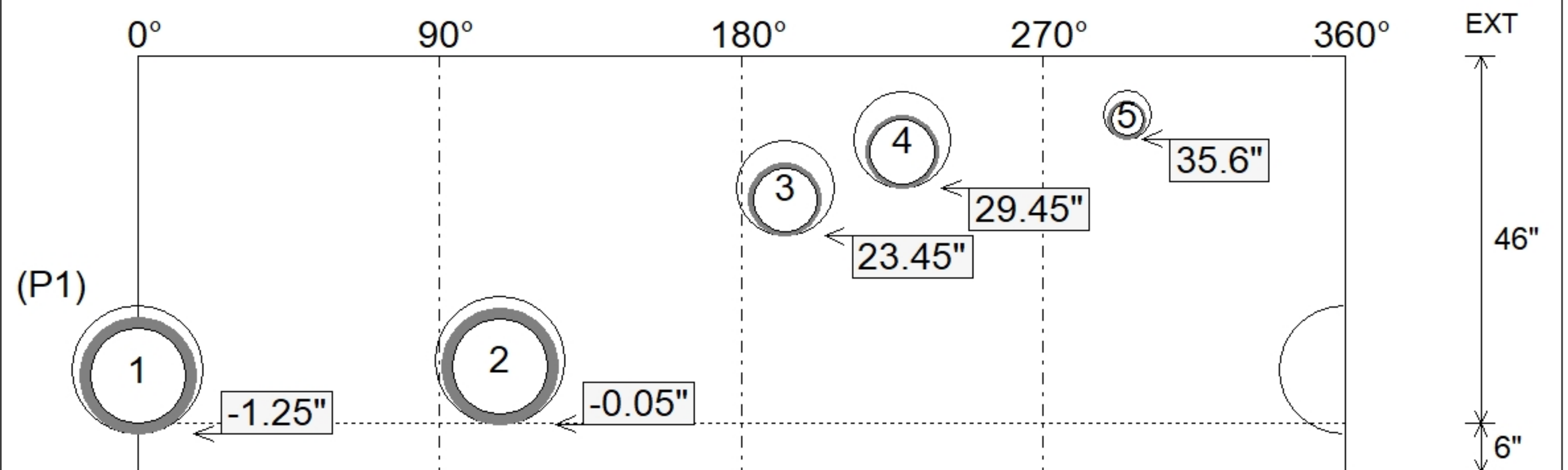
| | |
|---|----------------|
| P3) 24" - CASTING HEIGHT - 7" | 0 lb |
| P2) 48" - MH FLAT TOP w/ 24" Center Hole F/F - 7" | 1700 lb |
| P1) 48" - MH BASE Custom Ht F/n - 46" | 4265 lb |
| 1) CASTING - HOE 280T F/G | 182 lb |
| 1) 48" - SGL 1"x14.5' Butyl (2x) | 0 lb |
| 2) Hole - 16 | 0 lb |
| 2) Hole - 12 | 0 lb |
| 1) Hole - 6 | 0 lb |
| 4) MH Step ML-10-TDS-NCR - 10" | 0 lb |
| Structure Total: | 6147 lb |



| Position | Elev | Angle | Pipe | Pipe OD | Hole | Connector | Up (") | Ref |
|----------|--------|-------|---------------------|---------|------|-----------|--------|-----|
| Rim | 707' | | | | | | | |
| Reducer | | | | | | | | |
| Invert 1 | 702' | 0° | 12" HDPE | 14.5" | 16" | Hole 16 | -1.25" | P1 |
| Invert 2 | 702.1' | 108° | 12" HDPE | 14.5" | 16" | Hole 16 | -0.05" | P1 |
| Invert 3 | 704' | 193° | 8" HDPE | 9.1" | 12" | Hole 12 | 23.45" | P1 |
| Invert 4 | 704.5' | 228° | 8" HDPE | 9.1" | 12" | Hole 12 | 29.45" | P1 |
| Invert 5 | 705' | 295° | 4" HDPE (perf pipe) | 4.8" | 6" | Hole 6 | 35.6" | P1 |
| Invert 6 | | | | | | | | |
| Invert 7 | | | | | | | | |
| Invert 8 | | | | | | | | |



Default - Interior Dimensions



Submittal Drawing
 10/22/2025 10:48:51 AM

SUBMITTAL
 APPROVED BY: