

Job Name: 25-2861 Spencer Co Bus Garage  
 Job Location: Taylorsville, Ky  
 Contractor: Louisville Paving and Construction

Plant: Beaver Dam

Tech: C.Russ

10/22/2025 10:49:14 AM

PC: J.Jarvis



**Structure ID: CI-2B**

**P1 BX2436-08BA42**

**BOX BASE 8inW, 8inF F/n**

- P2) 24" x 36" - CASTING HEIGHT - 6"
- P1) 24" x 36" - BOX BASE 8inW, 8inF F/n - 42"
- 1) CASTING - HOE 525 LV SET (F/G/H)
- 1) 24" x 36" - SGL 1"x14.5' Butyl
- 1) Hole - 16
- 1) Hole - 14
- 1) Hole - 6

0 lb  
 5414 lb  
 442 lb  
 0 lb  
 0 lb  
 0 lb  
 0 lb  
 0 lb  
 -----  
 Structure Total: 5856 lb

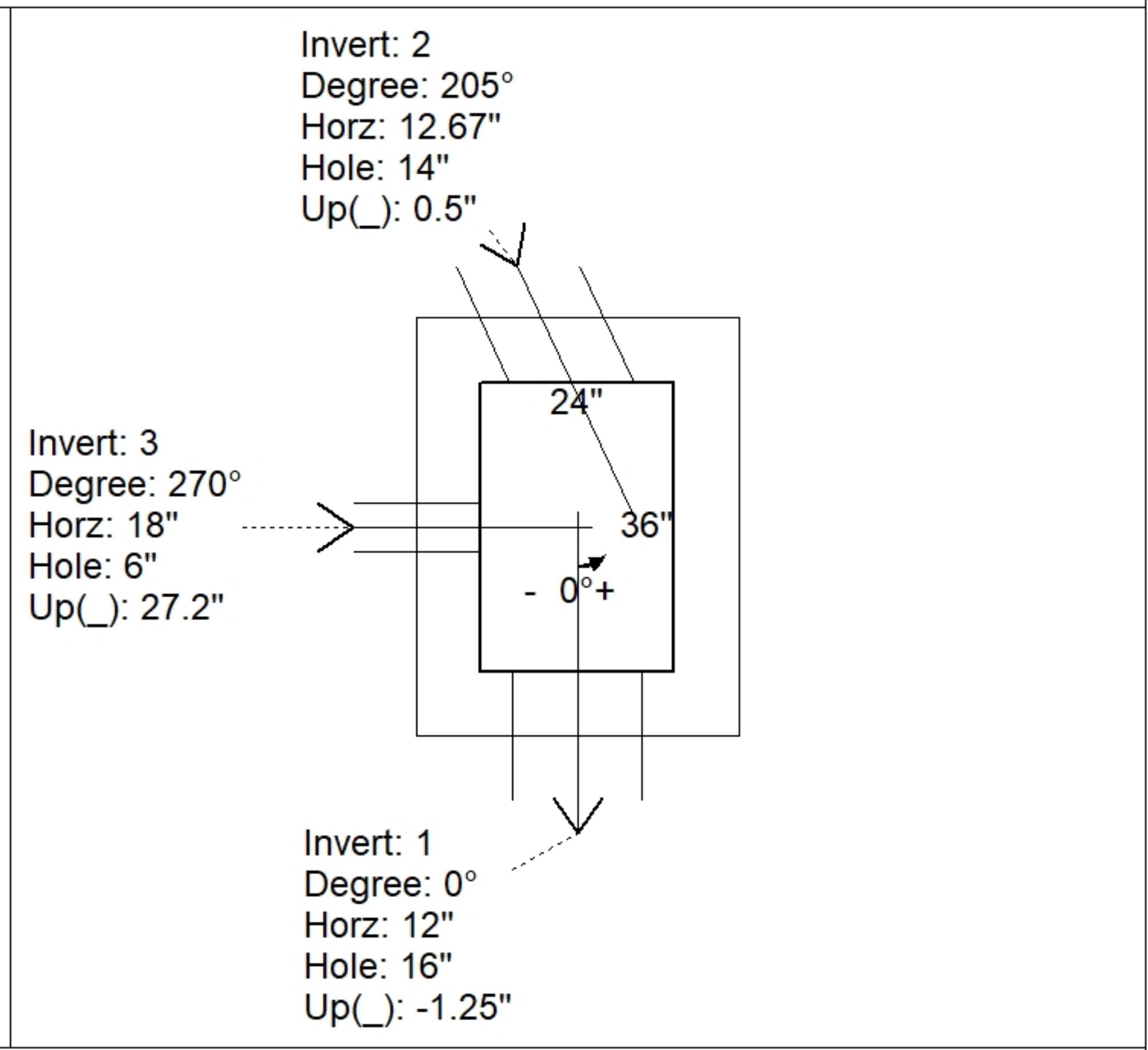
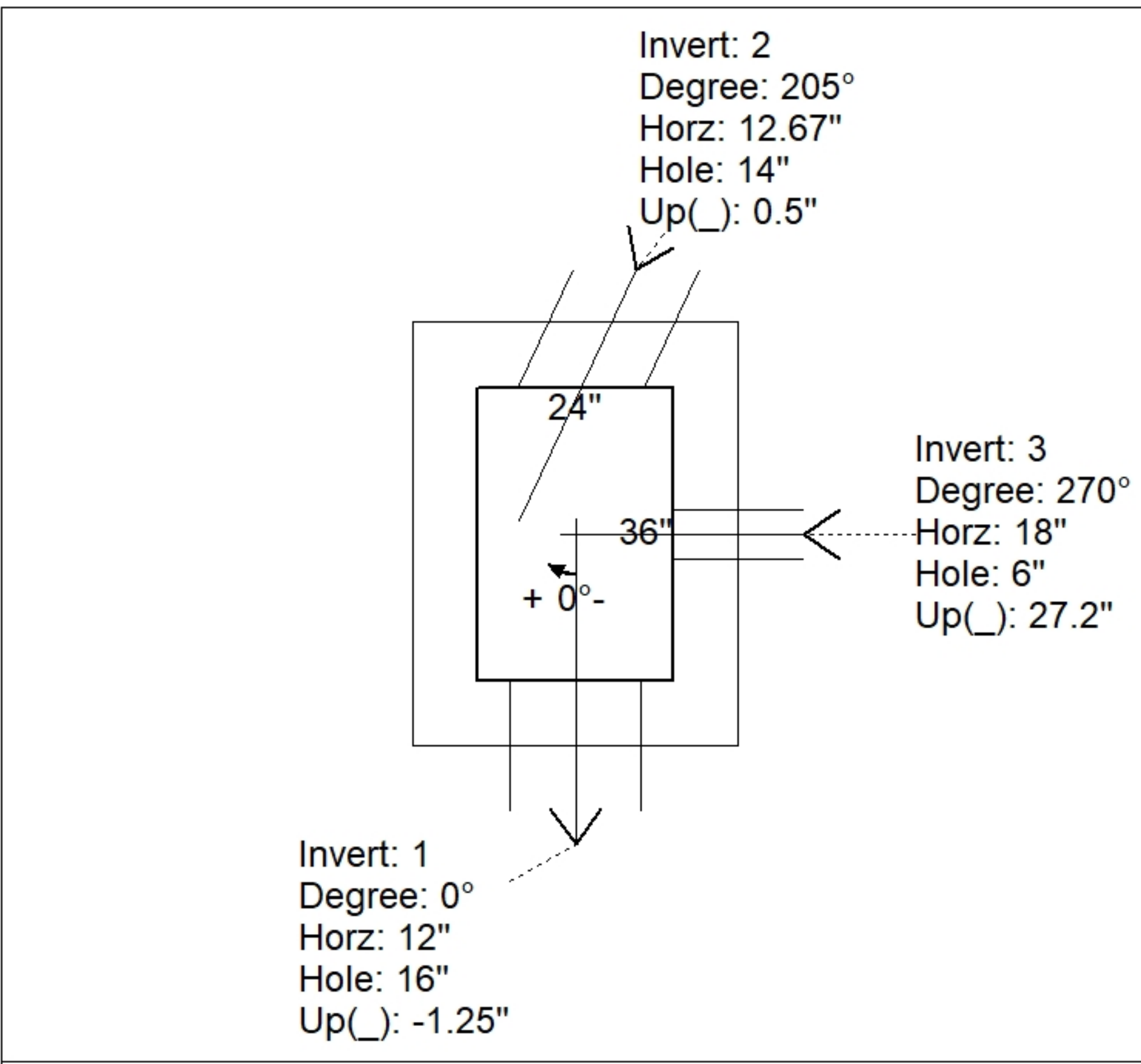
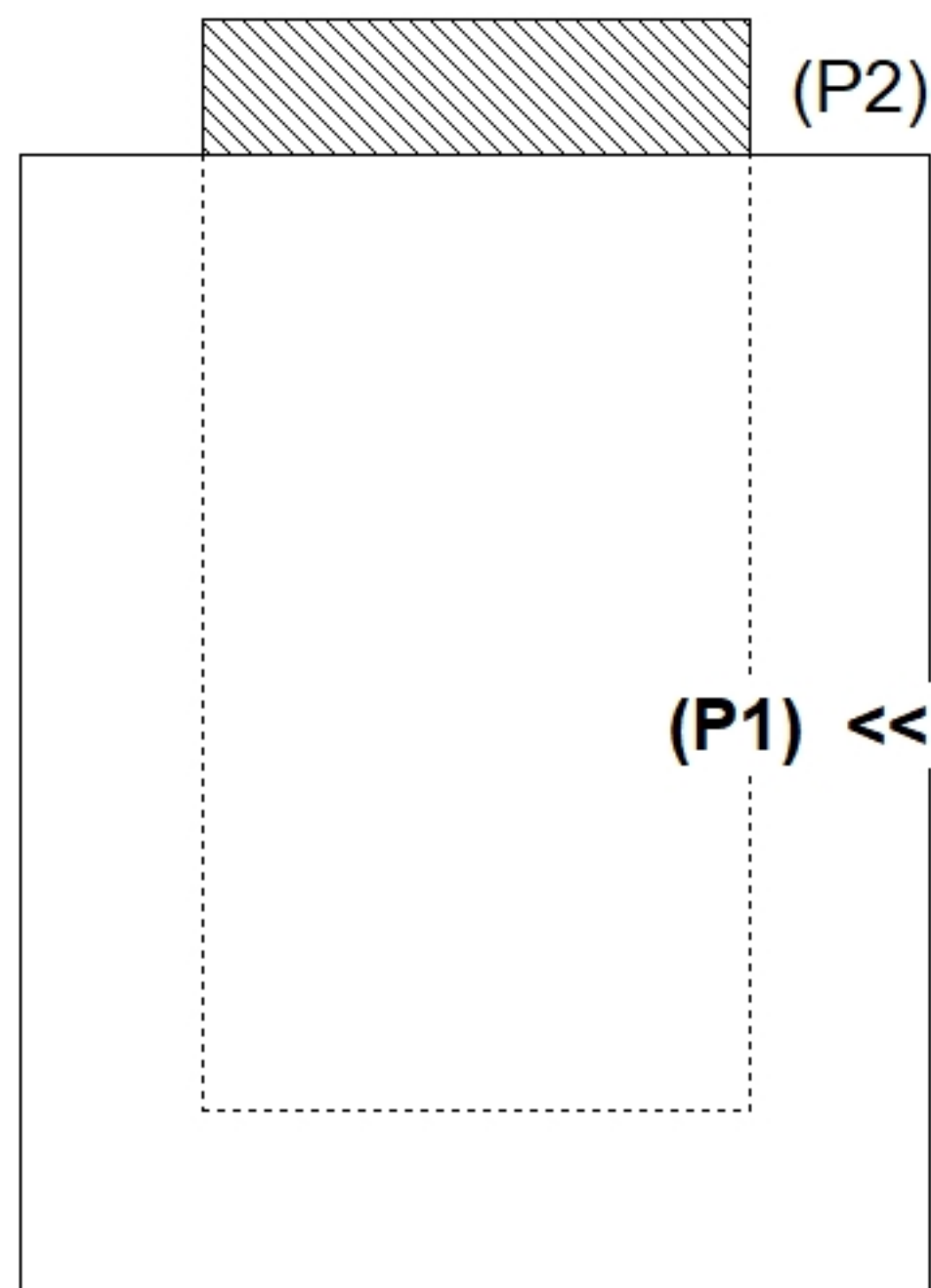
**Structure Notes:**  
 1. PER ASTM C913 SPECIFICATIONS.  
 2. CONCRETE = 4,000 PSI AT 28 DAYS.  
 3. NO INVERT CHANNEL.  
 4. HOE 525 PROVIDED BY ICAST.  
 5. REINFORCING PER ASTM A615 (GRADE 60).  
 - WALLS (As .12) #5 BARS AT 12" C.C.E.W.  
 - FLOOR (As .12) #5 BARS AT 12" C.C.E.W.

Rim: 715.8' Rim to Invert: 4' Slack: 0" Sump: 0" Step Position: 90°

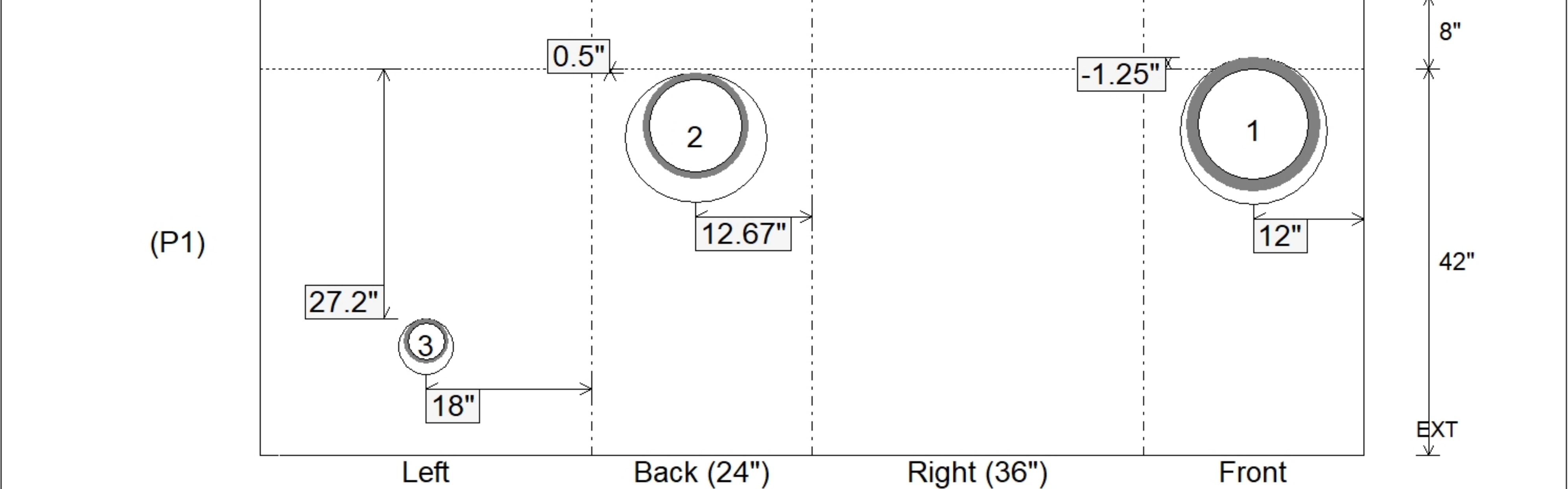
Position	Elev	Angle	Ext. (cw)	Pipe	Pipe OD	Connector	Hole	Horz Size	Up ( )	Offset
Invert 1	711.8'	0°	20"	12" HDPE	14.5"	Hole 16	16"	16"	-1.25"	0"
Invert 2	711.9'	205°	24.4"	10" HDPE	11.4"	Hole 14	14"	15.447"	0.5"	-7"
Invert 3	714.1'	270°	26"	4" HDPE (perf pipe)	4.8"	Hole 6	6"	6"	27.2"	0"
Invert 4										
Invert 5										
Invert 6										
Invert 7										
Invert 8										

RIGHT-SIDE UP VIEW (int. dimensions)

UPSIDE-DOWN VIEW (int. dimensions)



INSIDE WALL DIMENSIONS



Coating (Int):  
 Coating (Ext):

Seam Up: Flat  
 Seam Dn: n/a

Wall Thickness: 8"  
 Floor Height: 8"

Height (Int): 42"  
 Height (Ext): 50"

Weight (Net): 5414 lb  
 Volume (Net): 1.38cu.yd