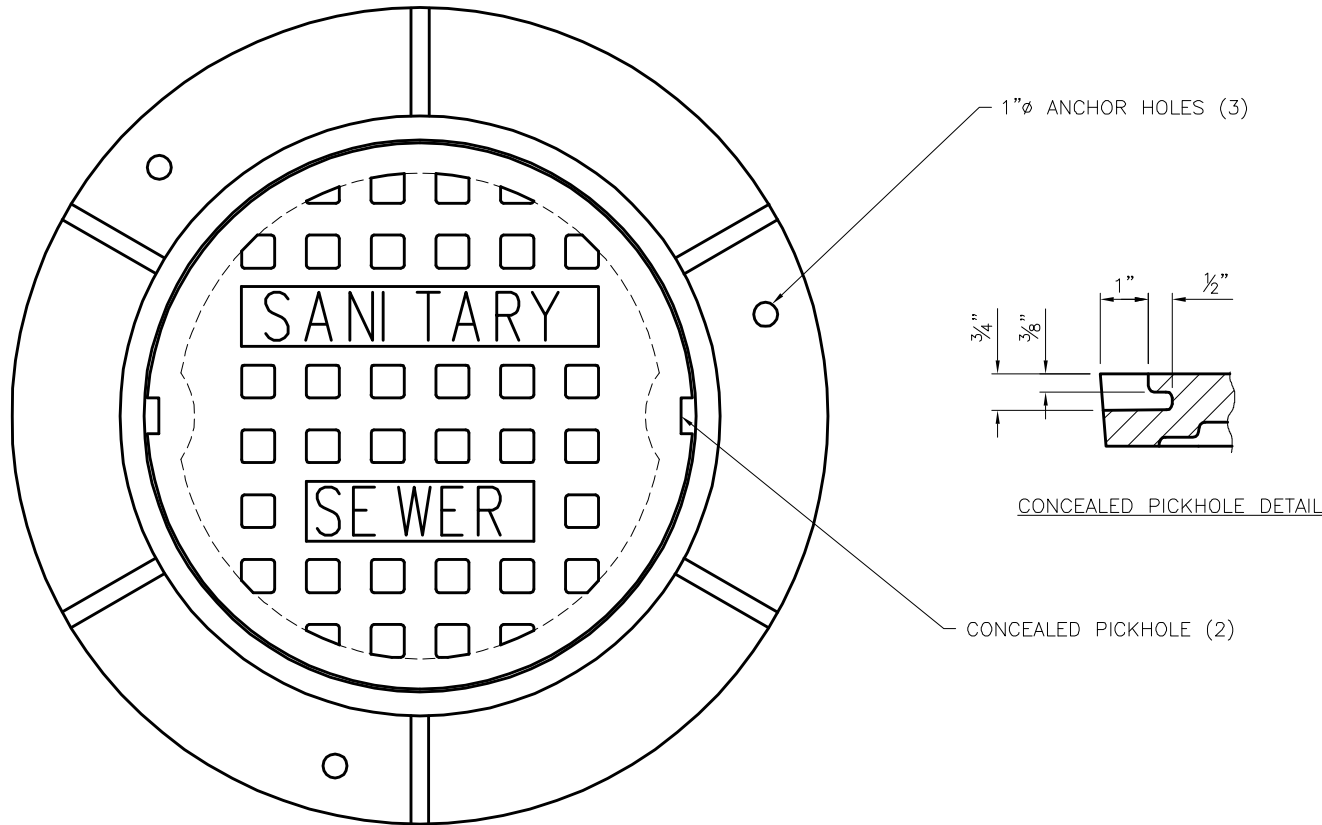


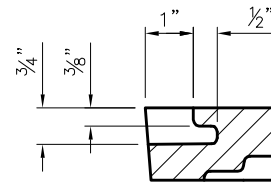
# HOE MC-315 ROUND MANHOLE FRAME & COVER



[www.irhoe.com](http://www.irhoe.com) 800-245-5521

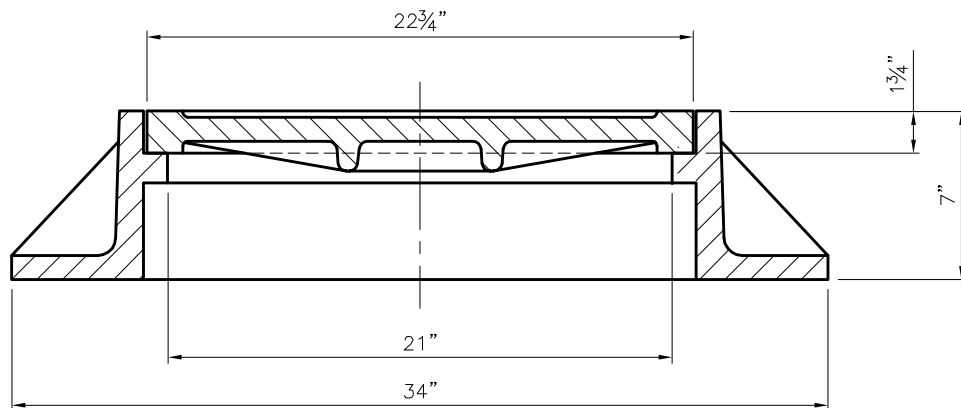


1"Ø ANCHOR HOLES (3)



CONCEALED PICKHOLE DETAIL

CONCEALED PICKHOLE (2)



<b>Material Specs:</b>	ASTM A48 Class 35B, Gray Iron
<b>Frame Weight:</b>	136 LBS
<b>Cover Weight:</b>	122 LBS
<b>Load Rating:</b>	H-20

<b>Drawing Date:</b>	04-01-12	<b>By:</b>	SCD
<b>Revision Date:</b>	.	<b>By:</b>	.

LEED: Gray iron castings are eligible for LEED credits under sections MR4 Recycled Content and MR5 Regional Materials.

**OPTIONS:**  
COVER LETTERED SANITARY OR STORM.

*Drawing is the property of J. R. Hoe & Sons, Inc. and contains confidential information. J. R. Hoe & Sons, Inc. has the right to make modifications without prior notice.*