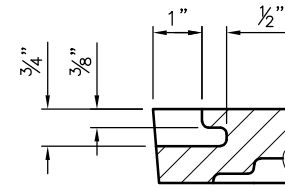
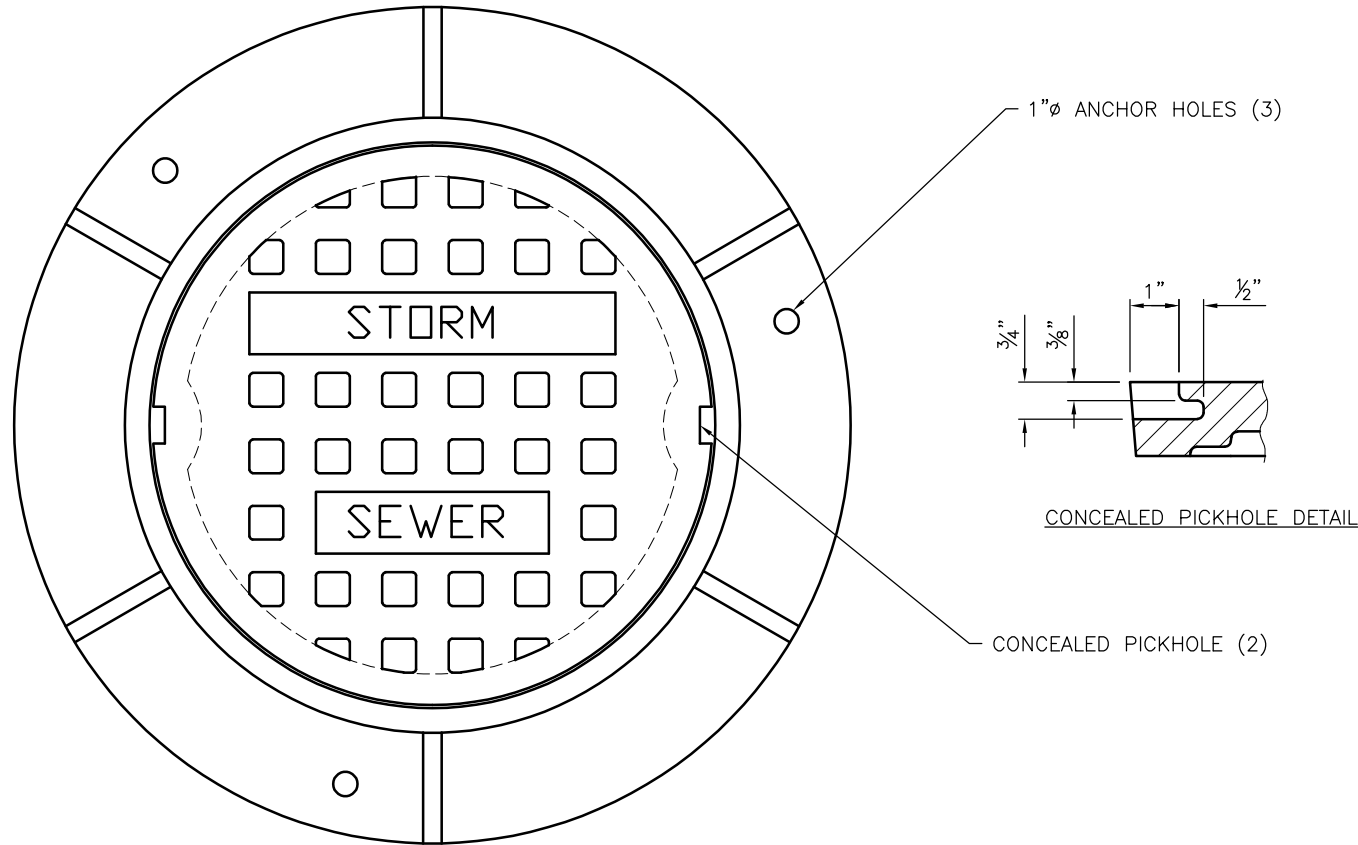


HOE MC-315 ROUND MANHOLE FRAME & COVER



www.jrhoe.com 800-245-5521



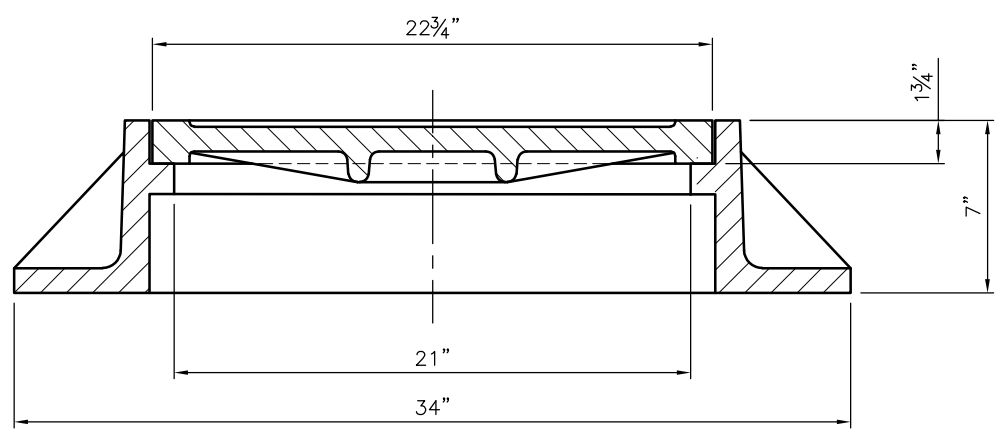
CONCEALED PICKHOLE DETAIL

Material Specs:	ASTM A48 Class 35B, Gray Iron
Frame Weight:	136 LBS
Cover Weight:	122 LBS
Load Rating:	H-20

Drawing Date:	04-01-12	By:	SCD
Revision Date:	.	By:	.

LEED: Gray iron castings are eligible for LEED credits under sections MR4 Recycled Content and MR5 Regional Materials.

OPTIONS:
COVER LETTERED SANITARY OR STORM,



Drawing is the property of J. R. Hoe & Sons, Inc. and contains confidential information. J. R. Hoe & Sons, Inc. has the right to make modifications without prior notice.