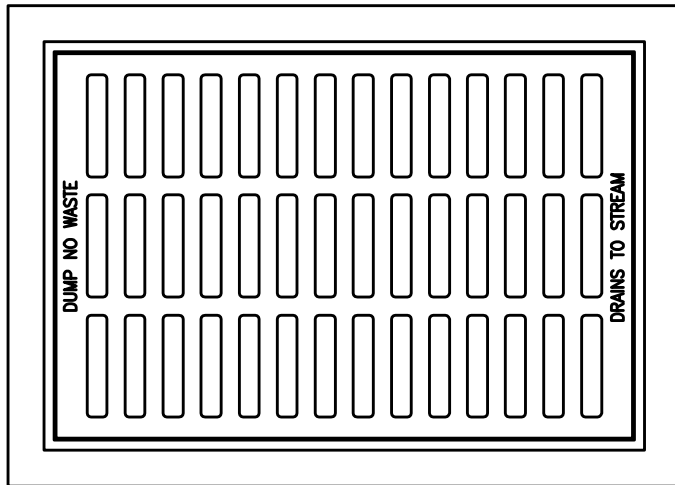


HOE 518 CATCH BASIN INLET FRAME & GRATE



www.irhoe.com 800-245-5521

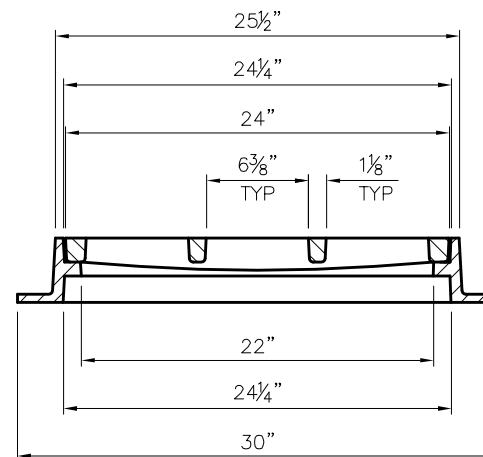
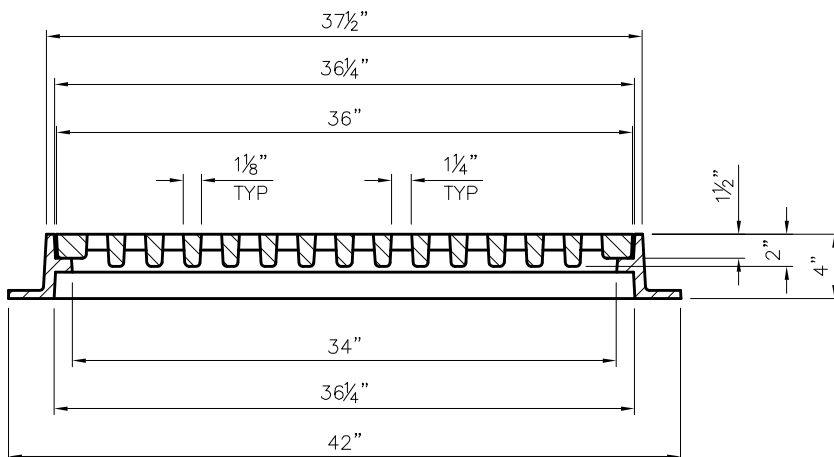


Material Specs:	ASTM A48 Class 35B, Gray Iron
Frame Weight:	143 LBS.
Grate Weight:	211 LBS.
Load Rating:	H-20
Open Drainage Area: 2.1 SQ. FT.	

Drawing Date: 04-01-12	By: SCD
Revision Date: .	By: .

LEED: Gray iron castings are eligible for LEED credits under sections MR4 Recycled Content and MR5 Regional Materials.

OPTIONS:
BICYCLE SAFE



Drawing is the property of J. R. Hoe & Sons, Inc. and contains confidential information. J. R. Hoe & Sons, Inc. has the right to make modifications without prior notice.