

Job Name: 25-3292 Arbor View Sec. 2
Job Location: Eminence, KY
Contractor: Core & Main LP (Lou)

PC: J.Jarvis
 TECH: C.Russ
 Plant: Beaver Dam



Structure ID: **SSMH F1**
 Spec: Sanitary
 Type: SAN.MH
 Size: 48"

Rim: 916.56'
 Invert: 912.14'
 Rim to Invert: 4.42'

Sump: 2"
 Floor (Top): 911.973'
 Floor Height: 6"

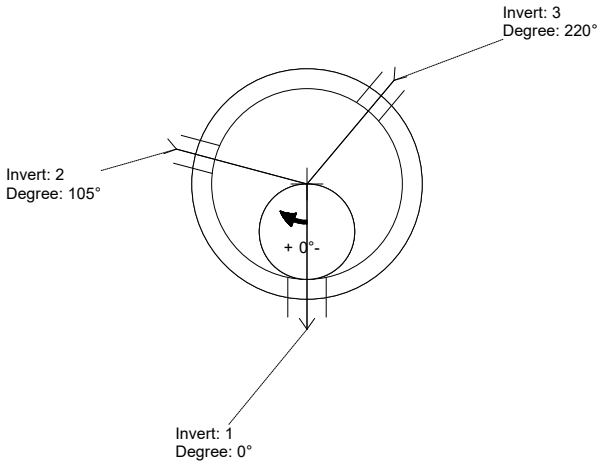
Overall Height: 5.083'
 Slack: 0.04"

Structure Notes:

1. PER ASTM C478 SPECIFICATIONS.
2. CONCRETE = 4,000 PSI AT 28 DAYS.
3. MC-315 "SANITARY" BY ICAST
4. REINFORCING PER ASTM A615 (GRADE 60).
 - CONE (As .12)
 - RISER/WALLS (As .12)
 - FLOOR (As .31) #5 BARS AT 12" C.C.E.W.
5. NO STEPS

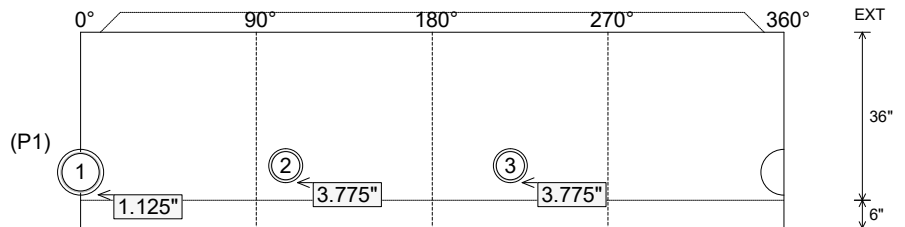
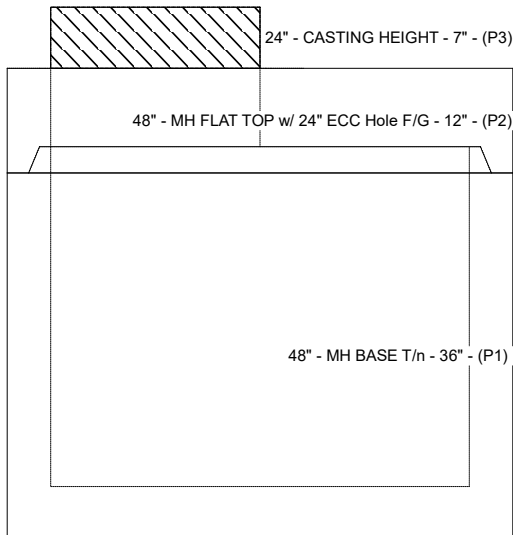
STRUCTURE SUMMARY:

- P3) 24" - CASTING HEIGHT - 7" 0 lb
 - P2) 48" - MH FLAT TOP w/ 24" ECC Hole F/G - 12" 1561 lb
 - P1) 48" - MH BASE T/n - 36" 3779 lb
 - 1) 48" - MH INVERT CHANNEL - FULL HEIGHT 1440 lb
 - 1) JOINT WRAP - 0.065"x6"x50' CONSEAL CS212 0 lb
 - 1) JOINT WRAP PRIMER - CONSEAL CS-75 (1 gal.) 0 lb
 - 1) 48" - DBL 1"x14.5' Butyl (2x) 0 lb
 - 1) A-Lok - 0285 1 lb
 - 2) A-Lok - 0210 2 lb
- Structure Total: 6783 lb**



Position	Elev	Angle	Ext. (cw)	Pipe	Hole	Connector	Up (')	Ref
Rim	916.56'							
Reducer								
Invert 1	912.14'	0°	0"	8" PVC SDR35	9.75"	A-Lok 0285	1.125"	P1
Invert 2	912.34'	105°	53.145"	6" PVC SDR35	7.25"	A-Lok 0210	3.775"	P1
Invert 3	912.34'	220°	111.352"	6" PVC SDR35	7.25"	A-Lok 0210	3.775"	P1
Invert 4								
Invert 5								
Invert 6								
Invert 7								
Invert 8								

Default - Interior Dimensions



Submittal Drawing
 9/18/2025 6:45:29 AM

SUBMITTAL
 APPROVED BY:

Job Name: 25-3292 Arbor View Sec. 2
Job Location: Eminence, KY
Contractor: Core & Main LP (Lou)

PC: J.Jarvis
 TECH: C.Russ
 Plant: Beaver Dam



Structure ID: **SSMH F2**

Spec: Sanitary
 Type: SAN.MH
 Size: 48"

Rim: 913.9'
 Invert: 908.83'
 Rim to Invert: 5.07'

Sump: 2"
 Floor (Top): 908.663'
 Floor Height: 6"

Overall Height: 5.583'
 Slack: 1.84"

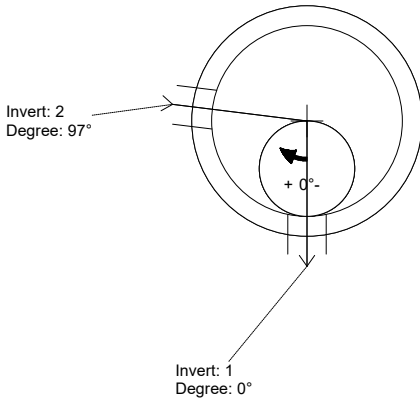
Structure Notes:

- PER ASTM C478 SPECIFICATIONS.
- CONCRETE = 4,000 PSI AT 28 DAYS.
- MC-315 "SANITARY" BY ICAST
- REINFORCING PER ASTM A615 (GRADE 60).
 - CONE (As .12)
 - RISER/WALLS (As .12)
 - FLOOR (As .31) #5 BARS AT 12" C.C.E.W.
- NO STEPS

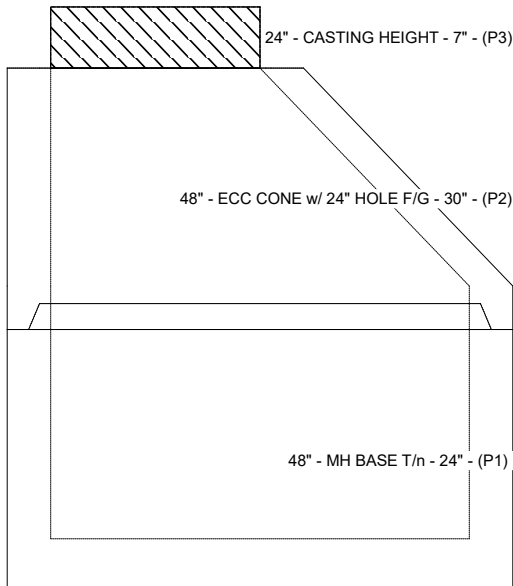
RFI: 8" PVC INLET ELEVATION RAISED TO 908.93 TO ACHIEVE THE PLAN NOTED & VMU REQUIRED MINIMUM 0.1' OF FALL ACROSS THE MANHOLE BASE SECTION.

STRUCTURE SUMMARY:

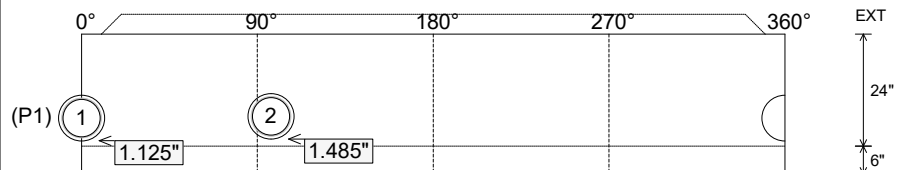
P3) 24" - CASTING HEIGHT - 7"	0 lb
P2) 48" - ECC CONE w/ 24" HOLE F/G - 30"	2050 lb
P1) 48" - MH BASE T/n - 24"	2944 lb
1) 48" - MH INVERT CHANNEL - FULL HEIGHT	1440 lb
1) JOINT WRAP - 0.065"x6"x50' CONSEAL CS212	0 lb
1) JOINT WRAP PRIMER - CONSEAL CS-75 (1 gal.)	0 lb
1) 48" - DBL 1"x14.5' Butyl (2x)	0 lb
2) A-Lok - 0285	2 lb
Structure Total:	6436 lb



Position	Elev	Angle	Ext. (cw)	Pipe	Hole	Connector	Up ()	Ref
Rim	913.9'							
Reducer								
Invert 1	908.83'	0°	0"	8" PVC SDR35	9.75"	A-Lok 0285	1.125"	P1
Invert 2	908.86'	97°	49.096"	8" PVC SDR35	9.75"	A-Lok 0285	1.485"	P1
Invert 3								
Invert 4								
Invert 5								
Invert 6								
Invert 7								
Invert 8								



Default - Interior Dimensions



Submittal Drawing
 9/18/2025 6:45:30 AM

SUBMITTAL
 APPROVED BY:

Job Name: 25-3292 Arbor View Sec. 2
Job Location: Eminence, KY
Contractor: Core & Main LP (Lou)

PC: J.Jarvis
 TECH: C.Russ
 Plant: Beaver Dam



Structure ID: **SSMH G1**

Spec: Sanitary
 Type: SAN.MH
 Size: 48"

Rim: 916.16'
 Invert: 911.44'
 Rim to Invert: 4.72'

Sump: 2"
 Floor (Top): 911.273'
 Floor Height: 6"

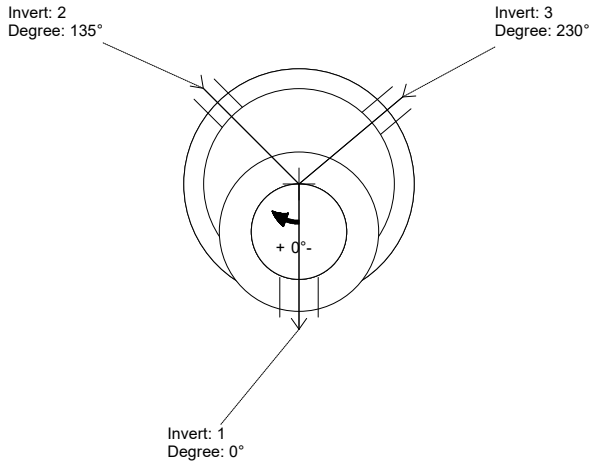
Overall Height: 5.333'
 Slack: 0.64"

Structure Notes:

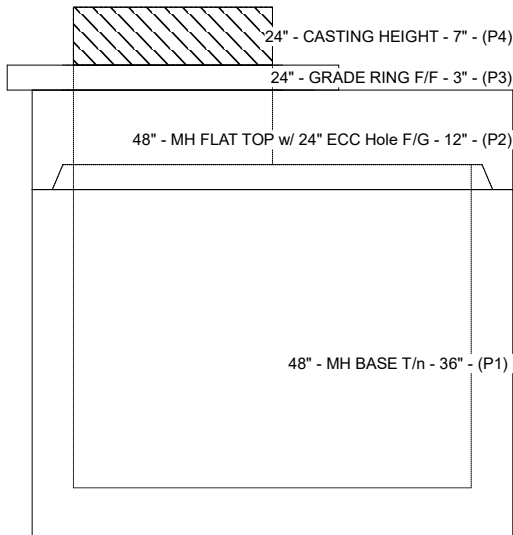
- PER ASTM C478 SPECIFICATIONS.
- CONCRETE = 4,000 PSI AT 28 DAYS.
- MC-315 "SANITARY" BY ICAST
- REINFORCING PER ASTM A615 (GRADE 60).
 - CONE (As .12)
 - RISER/WALLS (As .12)
 - FLOOR (As .31) #5 BARS AT 12" C.C.E.W.
- NO STEPS

STRUCTURE SUMMARY:

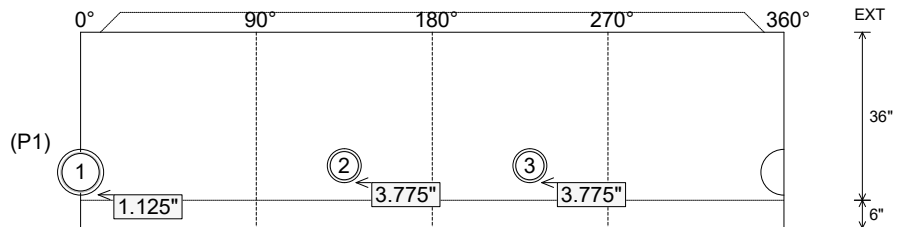
P4) 24" - CASTING HEIGHT - 7"	0 lb
P3) 24" - GRADE RING F/F - 3"	202 lb
P2) 48" - MH FLAT TOP w/ 24" ECC Hole F/G - 12"	1561 lb
P1) 48" - MH BASE T/n - 36"	3779 lb
1) 48" - MH INVERT CHANNEL - FULL HEIGHT	1440 lb
1) JOINT WRAP - 0.065"x6"x50' CONSEAL CS212	0 lb
1) JOINT WRAP PRIMER - CONSEAL CS-75 (1 gal.)	0 lb
1) 48" - DBL 1"x14.5' Butyl (2x)	0 lb
1) A-Lok - 0285	1 lb
2) A-Lok - 0210	2 lb
Structure Total:	6985 lb



Position	Elev	Angle	Ext. (cw)	Pipe	Hole	Connector	Up (')	Ref
Rim	916.16'							
Reducer								
Invert 1	911.44'	0°	0"	8" PVC SDR35	9.75"	A-Lok 0285	1.125"	P1
Invert 2	911.64'	135°	68.33"	6" PVC SDR35	7.25"	A-Lok 0210	3.775"	P1
Invert 3	911.64'	230°	116.413"	6" PVC SDR35	7.25"	A-Lok 0210	3.775"	P1
Invert 4								
Invert 5								
Invert 6								
Invert 7								
Invert 8								



Default - Interior Dimensions



Submittal Drawing
 9/18/2025 6:45:30 AM

SUBMITTAL
 APPROVED BY:

Job Name: 25-3292 Arbor View Sec. 2
Job Location: Eminence, KY
Contractor: Core & Main LP (Lou)

PC: J.Jarvis
 TECH: C.Russ
 Plant: Beaver Dam



Structure ID: **SSMH G2**

Spec: Sanitary
 Type: SAN.MH
 Size: 48"

Rim: 911.79'
 Invert: 906.65'
 Rim to Invert: 5.14'

Sump: 2"
 Floor (Top): 906.483'
 Floor Height: 6"

Overall Height: 5.583'
 Slack: 2.68"

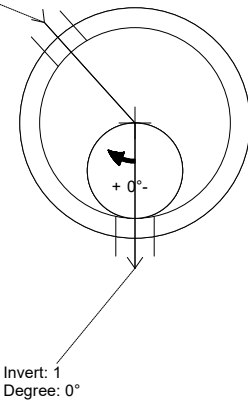
Structure Notes:

1. PER ASTM C478 SPECIFICATIONS.
2. CONCRETE = 4,000 PSI AT 28 DAYS.
3. MC-315 "SANITARY" BY ICAST
4. REINFORCING PER ASTM A615 (GRADE 60).
 - CONE (As .12)
 - RISER/WALLS (As .12)
 - FLOOR (As .31) #5 BARS AT 12" C.C.E.W.
5. NO STEPS

STRUCTURE SUMMARY:

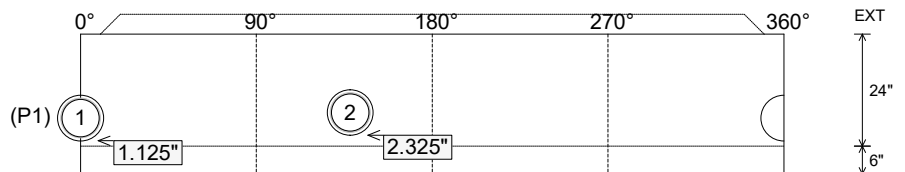
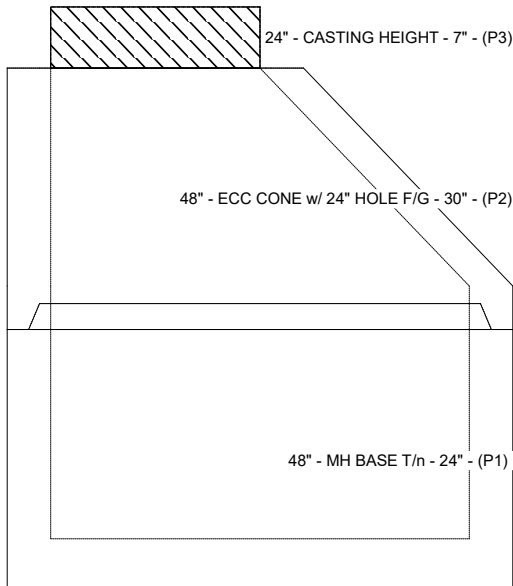
P3) 24" - CASTING HEIGHT - 7"	0 lb
P2) 48" - ECC CONE w/ 24" HOLE F/G - 30"	2050 lb
P1) 48" - MH BASE T/n - 24"	2944 lb
1) 48" - MH INVERT CHANNEL - FULL HEIGHT	1440 lb
1) JOINT WRAP - 0.065"x6"x50' CONSEAL CS212	0 lb
1) JOINT WRAP PRIMER - CONSEAL CS-75 (1 gal.)	0 lb
1) 48" - DBL 1"x14.5' Butyl (2x)	0 lb
2) A-Lok - 0285	2 lb
Structure Total:	6436 lb

Invert: 2
 Degree: 138°



Position	Elev	Angle	Ext. (cw)	Pipe	Hole	Connector	Up (")	Ref
Rim	911.79'							
Reducer								
Invert 1	906.65'	0°	0"	8" PVC SDR35	9.75"	A-Lok 0285	1.125"	P1
Invert 2	906.75'	138°	69.848"	8" PVC SDR35	9.75"	A-Lok 0285	2.325"	P1
Invert 3								
Invert 4								
Invert 5								
Invert 6								
Invert 7								
Invert 8								

Default - Interior Dimensions



Submittal Drawing
 9/18/2025 6:45:31 AM

SUBMITTAL
 APPROVED BY:

Job Name: 25-3292 Arbor View Sec. 2
Job Location: Eminence, KY
Contractor: Core & Main LP (Lou)

PC: J.Jarvis
 TECH: C.Russ
 Plant: Beaver Dam



Structure ID: **SSMH G3**

Spec: Sanitary
 Type: SAN.MH
 Size: 48"

Rim: 905.27'
 Invert: 900.33'
 Rim to Invert: 4.94'

Sump: 2"
 Floor (Top): 900.163'
 Floor Height: 6"

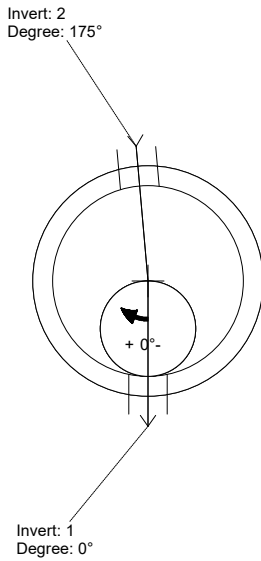
Overall Height: 5.583'
 Slack: 0.28"

Structure Notes:

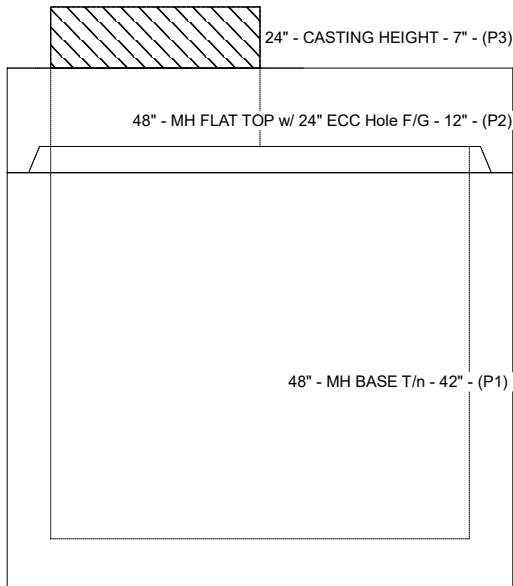
1. PER ASTM C478 SPECIFICATIONS.
2. CONCRETE = 4,000 PSI AT 28 DAYS.
3. MC-315 "SANITARY" BY ICAST
4. REINFORCING PER ASTM A615 (GRADE 60).
 - CONE (As .12)
 - RISER/WALLS (As .12)
 - FLOOR (As .31) #5 BARS AT 12" C.C.E.W.
5. NO STEPS

STRUCTURE SUMMARY:

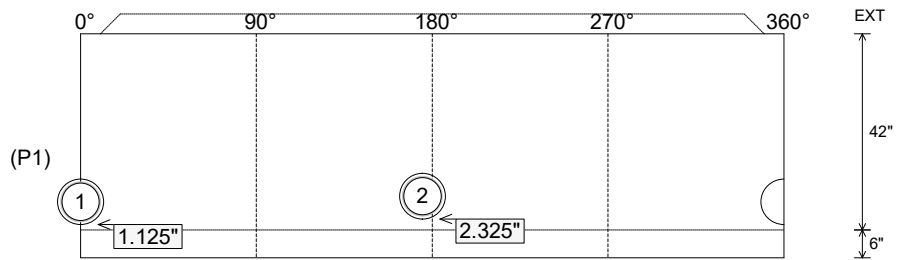
P3) 24" - CASTING HEIGHT - 7"	0 lb
P2) 48" - MH FLAT TOP w/ 24" ECC Hole F/G - 12"	1561 lb
P1) 48" - MH BASE T/n - 42"	4201 lb
1) 48" - MH INVERT CHANNEL - FULL HEIGHT	1440 lb
1) JOINT WRAP - 0.065"x6"x50' CONSEAL CS212	0 lb
1) JOINT WRAP PRIMER - CONSEAL CS-75 (1 gal.)	0 lb
1) 48" - DBL 1"x14.5' Butyl (2x)	0 lb
2) A-Lok - 0285	2 lb
Structure Total:	7204 lb



Position	Elev	Angle	Ext. (cw)	Pipe	Hole	Connector	Up (")	Ref
Rim	905.27'							
Reducer								
Invert 1	900.33'	0°	0"	8" PVC SDR35	9.75"	A-Lok 0285	1.125"	P1
Invert 2	900.43'	175°	88.575"	8" PVC SDR35	9.75"	A-Lok 0285	2.325"	P1
Invert 3								
Invert 4								
Invert 5								
Invert 6								
Invert 7								
Invert 8								



Default - Interior Dimensions



Submittal Drawing
 9/18/2025 6:45:32 AM

SUBMITTAL
 APPROVED BY:

Job Name: 25-3292 Arbor View Sec. 2
Job Location: Eminence, KY
Contractor: Core & Main LP (Lou)

PC: J.Jarvis
 TECH: C.Russ
 Plant: Beaver Dam



Structure ID: **SSMH G4**

Spec: Sanitary
 Type: SAN.MH
 Size: 48"

Rim: 899.06'
 Invert: 890.87'
 Rim to Invert: 8.19'

Sump: 2"
 Floor (Top): 890.703'
 Floor Height: 6"

Overall Height: 8.833'
 Slack: 0.28"

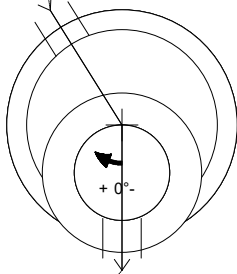
Structure Notes:

- PER ASTM C478 SPECIFICATIONS.
- CONCRETE = 4,000 PSI AT 28 DAYS.
- MC-315 "SANITARY" BY ICAST
- REINFORCING PER ASTM A615 (GRADE 60).
 - CONE (As .12)
 - RISER/WALLS (As .12)
 - FLOOR (As .31) #5 BARS AT 12" C.C.E.W.
- NO STEPS

STRUCTURE SUMMARY:

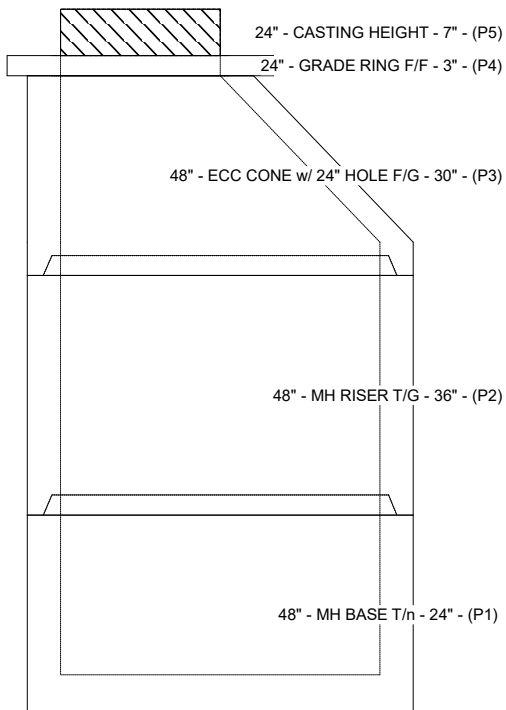
P5) 24" - CASTING HEIGHT - 7"	0 lb
P4) 24" - GRADE RING F/F - 3"	202 lb
P3) 48" - ECC CONE w/ 24" HOLE F/G - 30"	2050 lb
P2) 48" - MH RISER T/G - 36"	2515 lb
P1) 48" - MH BASE T/n - 24"	2944 lb
1) 48" - MH INVERT CHANNEL - FULL HEIGHT	1440 lb
1) JOINT WRAP - 0.065"x6"x50' CONSEAL CS212	0 lb
1) JOINT WRAP PRIMER - CONSEAL CS-75 (1 gal.)	0 lb
2) 48" - DBL 1"x14.5' Butyl (2x)	0 lb
2) A-Lok - 0285	2 lb
Structure Total:	9153 lb

Invert: 2
 Degree: 148°

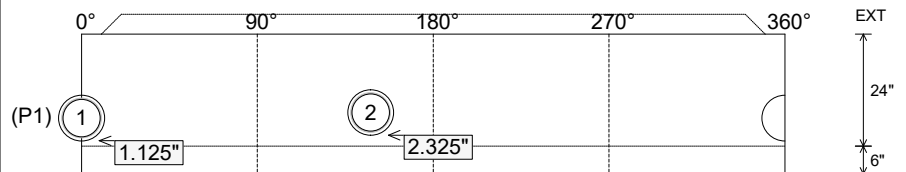


Invert: 1
 Degree: 0°

Position	Elev	Angle	Ext. (cw)	Pipe	Hole	Connector	Up (")	Ref
Rim	899.06'							
Reducer								
Invert 1	890.87'	0°	0"	8" PVC SDR35	9.75"	A-Lok 0285	1.125"	P1
Invert 2	890.97'	148°	74.91"	8" PVC SDR35	9.75"	A-Lok 0285	2.325"	P1
Invert 3								
Invert 4								
Invert 5								
Invert 6								
Invert 7								
Invert 8								



Default - Interior Dimensions



Submittal Drawing
 9/18/2025 6:45:32 AM

SUBMITTAL
 APPROVED BY: