

Structure ID: SSMH F1

P1 MH048BA36

MH BASE T/n

- | | | |
|---|---|---|
| P3) 24" - CASTING HEIGHT - 7" P2) 48" - MH FLAT TOP w/ 24" ECC Hole F/G - 12" P1) 48" - MH BASE T/n - 36" 1) 48" - MH INVERT CHANNEL - FULL HEIGHT 1) JOINT WRAP - 0.065"x6"x50" CONSEAL CS212 1) JOINT WRAP PRIMER - CONSEAL CS-75 (1 gal.) 1) CASTING - HOE MC-315 F/C Sanitary 1) 48" - DBL 1"x14.5' Butyl (2x) 1) A-Lok - 0285 2) A-Lok - 0210 | 0 lb 1561 lb 3779 lb 1440 lb 0 lb 0 lb 258 lb 0 lb 1 lb 2 lb ----- Structure Total: 7041 lb | Structure Notes: 1. PER ASTM C478 SPECIFICATIONS. 2. CONCRETE = 4,000 PSI AT 28 DAYS. 3. MC-315 "SANITARY" BY ICAST 4. REINFORCING PER ASTM A615 (GRADE 60). - CONE (As .12) - RISER/WALLS (As .12) - FLOOR (As .31) #5 BARS AT 12" C.C.E.W. 5. NO STEPS |
|---|---|---|

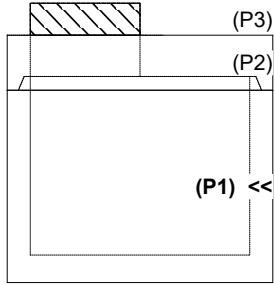
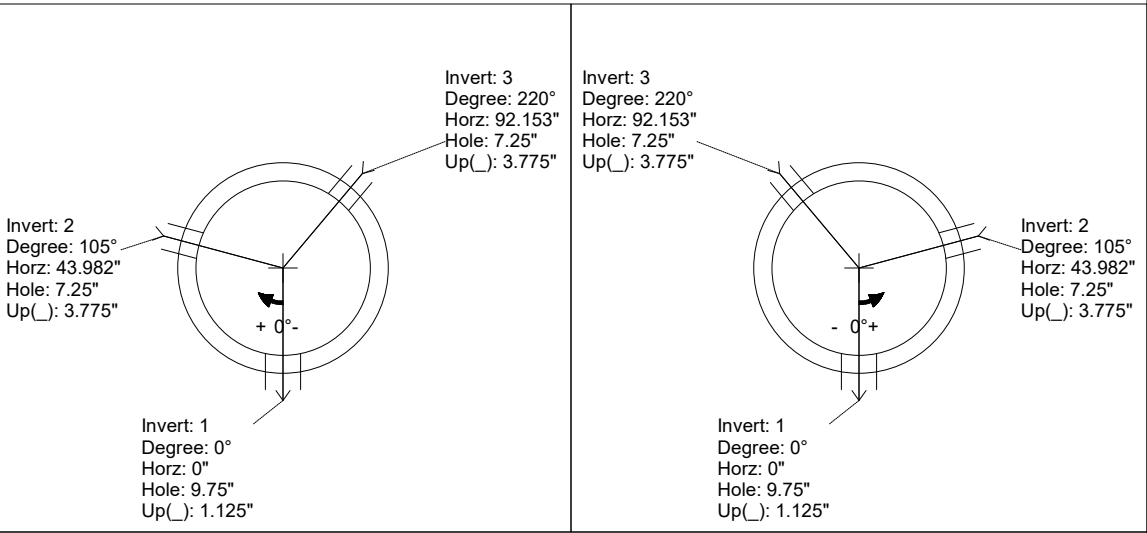
INVERT

Rim: 916.56' Rim to Invert: 4.42' Slack: 0.04" Sump: 2" Step Position: 90°

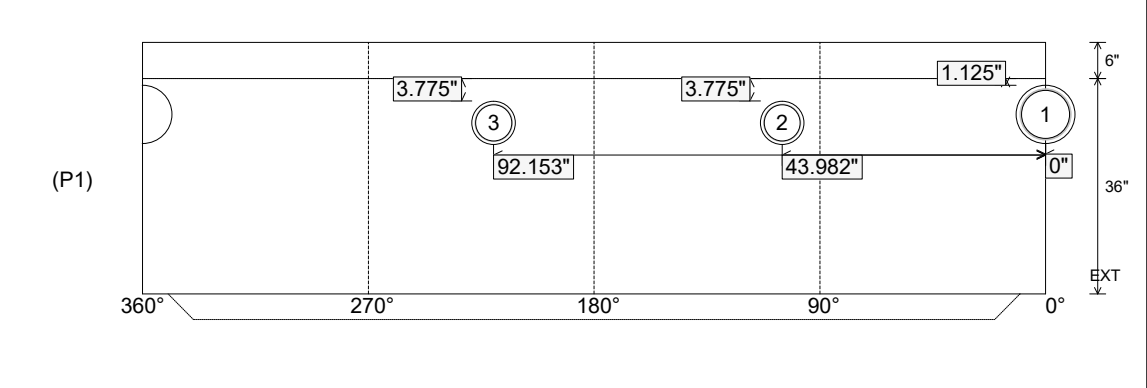
| Position | Elev | Angle | Ext. (cw) | Pipe | Pipe OD | Connector | Hole | Horz Size | Up () | Offset |
|----------|---------|-------|-----------|--------------|---------|------------|-------|-----------|--------|--------|
| Invert 1 | 912.14' | 0° | 0" | 8" PVC SDR35 | 8.5" | A-Lok 0285 | 9.75" | 9.818" | 1.125" | 0" |
| Invert 2 | 912.34' | 105° | 53.145" | 6" PVC SDR35 | 6.25" | A-Lok 0210 | 7.25" | 7.278" | 3.775" | 0" |
| Invert 3 | 912.34' | 220° | 111.352" | 6" PVC SDR35 | 6.25" | A-Lok 0210 | 7.25" | 7.278" | 3.775" | 0" |
| Invert 4 | | | | | | | | | | |
| Invert 5 | | | | | | | | | | |
| Invert 6 | | | | | | | | | | |
| Invert 7 | | | | | | | | | | |
| Invert 8 | | | | | | | | | | |

RIGHT-SIDE UP VIEW (int. dimensions)

UPSIDE-DOWN VIEW (int. dimenions)



INSIDE WALL DIMENSIONS



| | | | | |
|----------------------------------|---------------------------------|--|--|--|
| Coating (Int): Coating (Ext): | Seam Up: Tongue Seam Dn: n/a | Wall Thickness: 5" Floor Height: 6" | Height (Int): 36" Height (Ext): 42" | Weight (Net): 3779 lb Volume (Net): 0.96cu.yd |
|----------------------------------|---------------------------------|--|--|--|