

Job Name: 25-3292 Arbor View Sec. 2
 Job Location: Eminence, KY
 Contractor: Core & Main LP (Lou)

Plant: Beaver Dam

Tech: C.Russ

10/13/2025 1:45:49 PM

PC: J.Jarvis



Structure ID: CBI-A5

P1 BX2436-08BVF

BOX BASE 8inW, 8inF, Variable Ht F/n

- P2) 24" x 36" - CASTING HEIGHT - 6"
- P1) 24" x 36" - BOX BASE 8inW, 8inF, Variable Ht F/n - 49"
- 1) CASTING - HOE 525 LV SET (F/G/H)
- 1) 24" x 36" - SGL 1"x14.5' Butyl
- 1) Hole - 30
- 1) Hole - 24

0 lb
 5694 lb
 442 lb
 0 lb
 0 lb
 0 lb

 Structure Total: 6136 lb

Structure Notes:

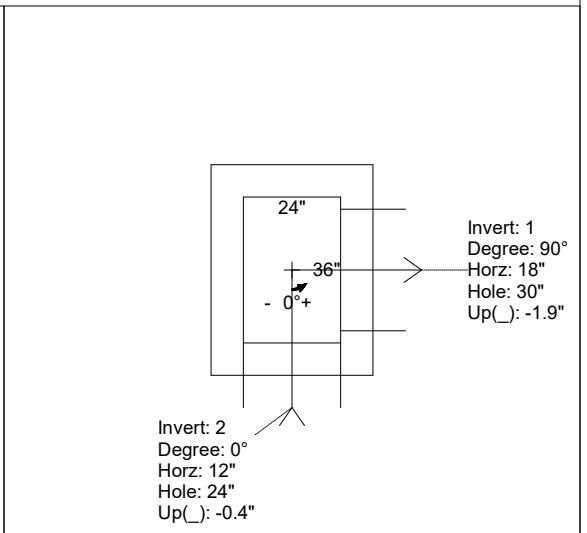
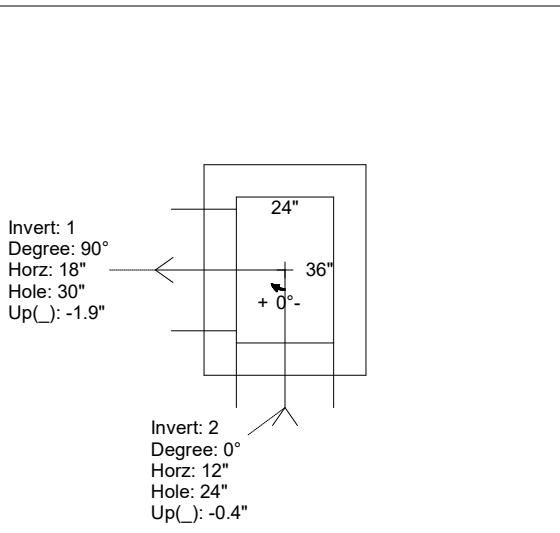
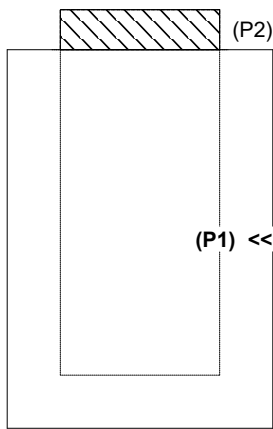
1. PER ASTM C913 SPECIFICATIONS.
2. CONCRETE = 4,000 PSI AT 28 DAYS.
3. NO INVERT CHANNEL.
4. HOE 525 BY ICAST
5. REINFORCING PER ASTM A615 (GRADE 60).
 - WALLS (As .12) #5 BARS AT 12" C.C.E.W.
 - FLOOR (As .12) #5 BARS AT 12" C.C.E.W.

Rim: 887.79' Rim to Invert: 4.63' Slack: 0.56" Sump: 0" Step Position:

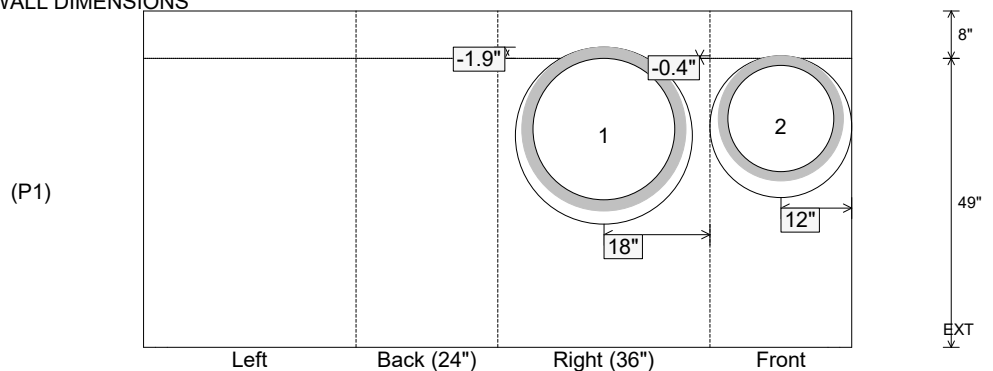
Position	Elev	Angle	Ext. (cw)	Pipe	Pipe OD	Connector	Hole	Horz Size	Up ()	Offset
Invert 1	883.16'	90°	26"	24" HDPE	27.8"	Hole 30	30"	30"	-1.9"	0"
Invert 2	883.26'	0°	20"	18" HDPE	21.2"	Hole 24	24"	24"	-0.4"	0"
Invert 3										
Invert 4										
Invert 5										
Invert 6										
Invert 7										
Invert 8										

RIGHT-SIDE UP VIEW (int. dimensions)

UPSIDE-DOWN VIEW (int. dimenions)



INSIDE WALL DIMENSIONS



Coating (Int):
 Coating (Ext):

Seam Up: Flat
 Seam Dn: n/a

Wall Thickness: 8"
 Floor Height: 8"

Height (Int): 49"
 Height (Ext): 57"

Weight (Net): 5694 lb
 Volume (Net): 1.45cu.yd