

Job Name: 25-2860 Grace Park
 Job Location: Nashville, TN
 Contractor: Elite Building Group Inc.

Plant: Beaver Dam
 10/14/2025 3:22:04 PM

Tech: C.Russ
 PC: A.Chambers



Structure ID: SSMH 4

P2 MH048CCN36X

CON XYPEX CONE w/24" HOLE F/G

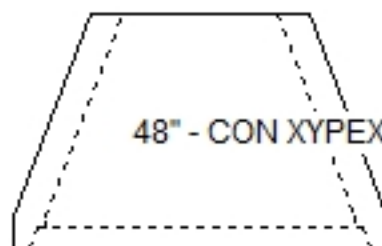
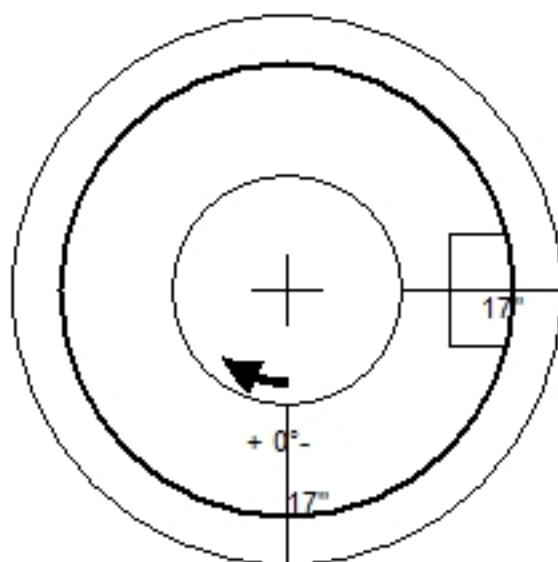
- P4) 24" - CASTING HEIGHT - 7"
- P3) 24" - XYPEX GRADE RING F/F - 4"
- P2) 48" - CON XYPEX CONE w/24" HOLE F/G - 36"
- P1) 48" - MH DH RISER Custom Ht. w/XYPEX T/F - 64"
- 1) JOINT WRAP - 0.085"x8"x50' CONSEAL CS212
- 1) JOINT WRAP PRIMER - CONSEAL CS-75 (1 gal.)
- 1) ADMIXTURE CONBLOCK CDA RED
- 1) 48" - DBL 1"x14.5' Butyl (2x)
- 2) DOGHOUSE - 12"x18"
- 1) PSX - 12-08 NYLO

0 lb
 270 lb
 2251 lb
 4280 lb
 0 lb
 0 lb
 0 lb
 0 lb
 0 lb
 0 lb
 8 lb

Structure Total: 6789 lb

Structure Notes:
 1. PER ASTM C913 SPECIFICATIONS.
 2. CONCRETE = 4,000 PSI AT 28 DAYS.
 3. NO INVERT CHANNEL.
 4. CASTING BY OTHERS

REINFORCING PER ASTM A615 (GRADE 60).
 - WALLS (As .31) #5 BARS AT 12" C.C.E.W.
 - FLOOR (As .31) #5 BARS AT 12" C.C.E.W.



48" - CON XYPEX CONE w/24" HOLE F/G - 36" - (P2)

| | | | | |
|----------------------------------|----------------------------------|--------------------|-------------------|--|
| Coating (Int): Coating (Ext): | Seam Up: Flat Seam Dn: Groove | Wall Thickness: 5" | Height (Ext): 36" | Weight (Net): 2251 lb Volume (Net): 0.57cu.yd |
|----------------------------------|----------------------------------|--------------------|-------------------|--|