

**Structure ID: SSMH 4**

**P1 MH048DHVFX**

**MH DH RISER Custom Ht, w/XYPEX T/F**

P4) 24" - CASTING HEIGHT - 7" P3) 24" - XYPEX GRADE RING F/F - 4" P2) 48" - CON XYPEX CONE w/24" HOLE F/G - 36" P1) 48" - MH DH RISER Custom Ht, w/XYPEX T/F - 64" 1) JOINT WRAP - 0.065"x6"x50' CONSEAL CS212 1) JOINT WRAP PRIMER - CONSEAL CS-75 (1 gal.) 1) ADMIXTURE CONBLOCK CDA RED 1) 48" - DBL 1"x14.5' Butyl (2x) 2) DOGHOUSE - 12"x18" 1) PSX - 12-08 NYLO	0 lb 270 lb 2251 lb 4260 lb 0 lb 0 lb 0 lb 0 lb 0 lb 0 lb 8 lb ----- Structure Total: 6789 lb
--	---

**Structure Notes:**

1. PER ASTM C913 SPECIFICATIONS.
2. CONCRETE = 4,000 PSI AT 28 DAYS.
3. NO INVERT CHANNEL.
4. CASTING BY OTHERS

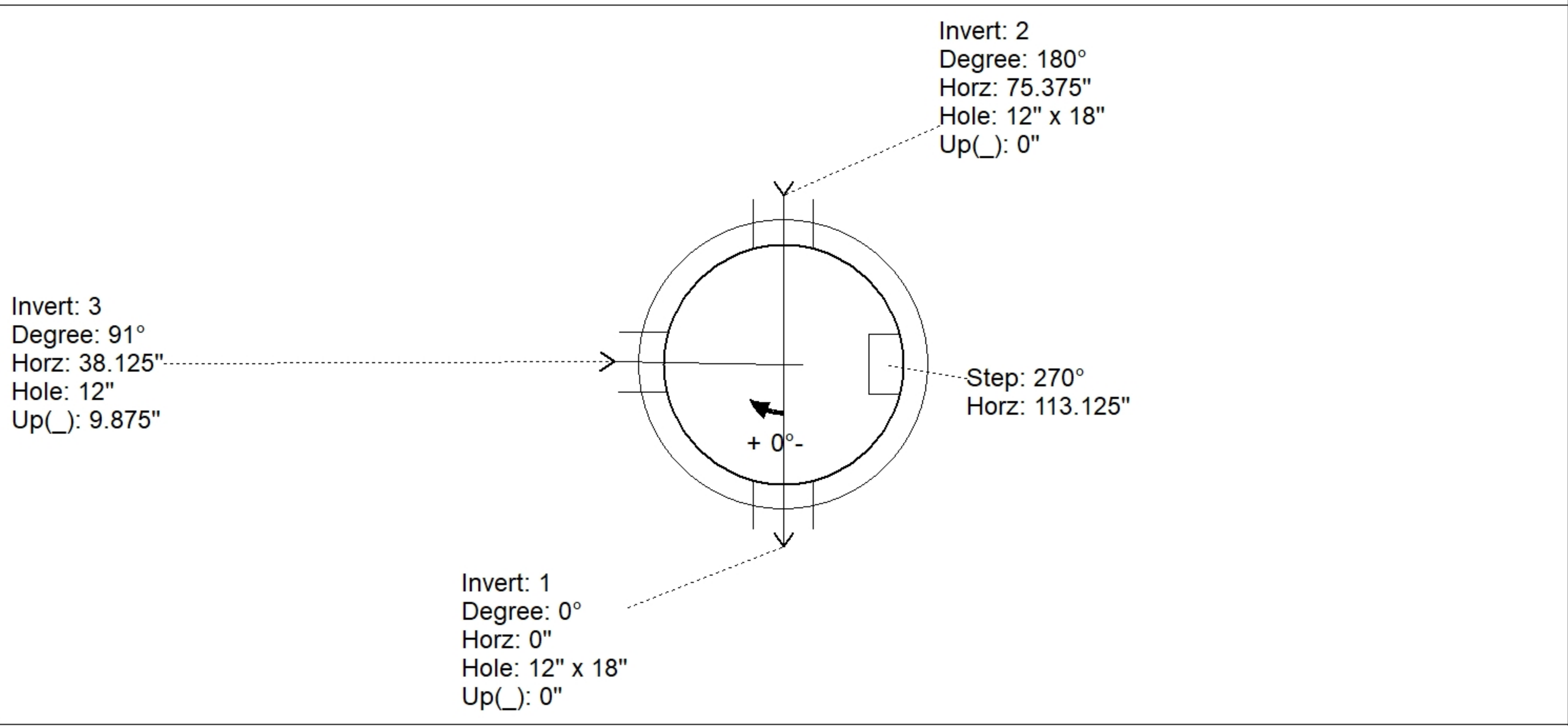
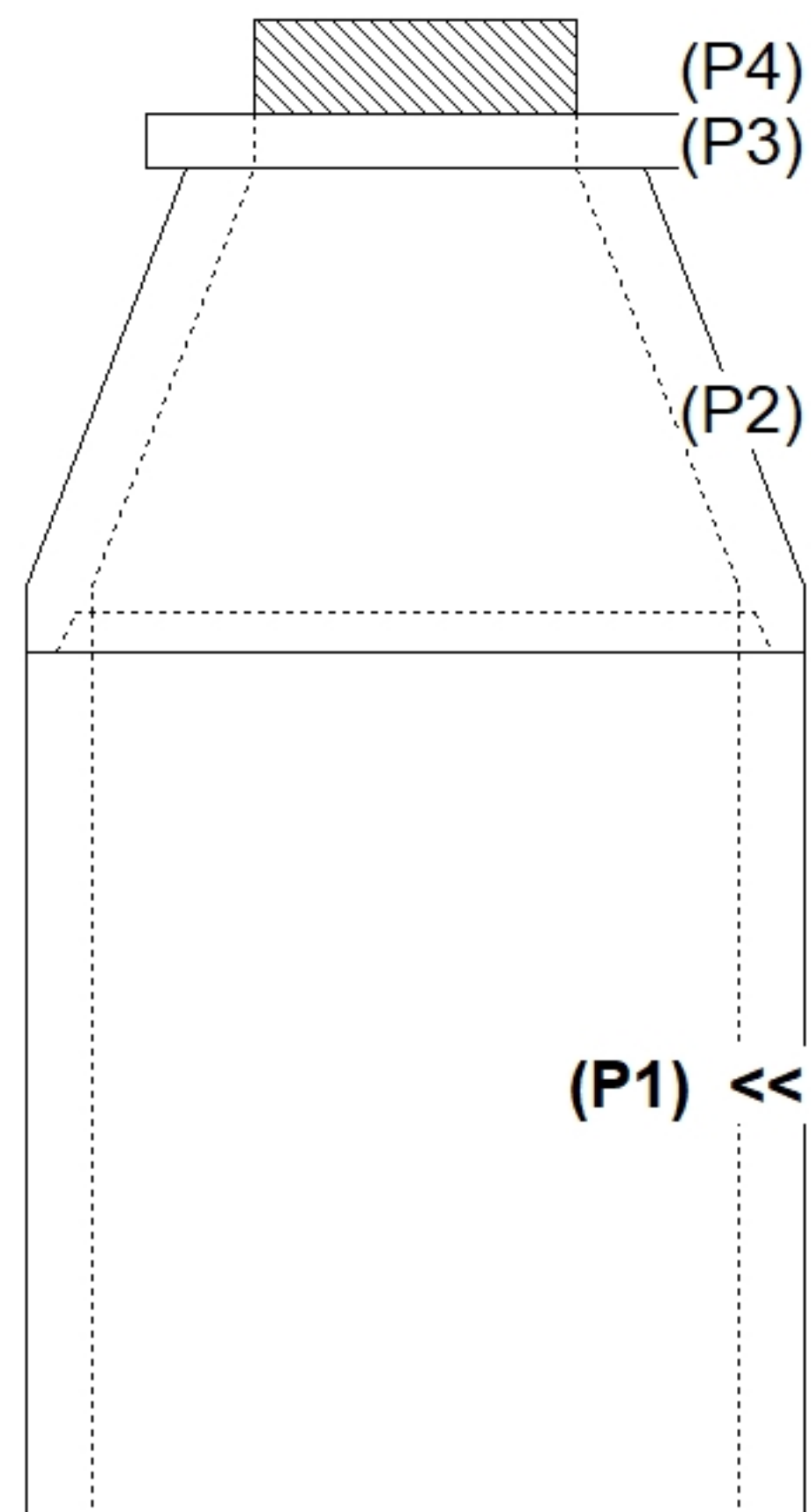
REINFORCING PER ASTM A615 (GRADE 60).

- WALLS (As .31) #5 BARS AT 12" C.C.E.W.
- FLOOR (As .31) #5 BARS AT 12" C.C.E.W.

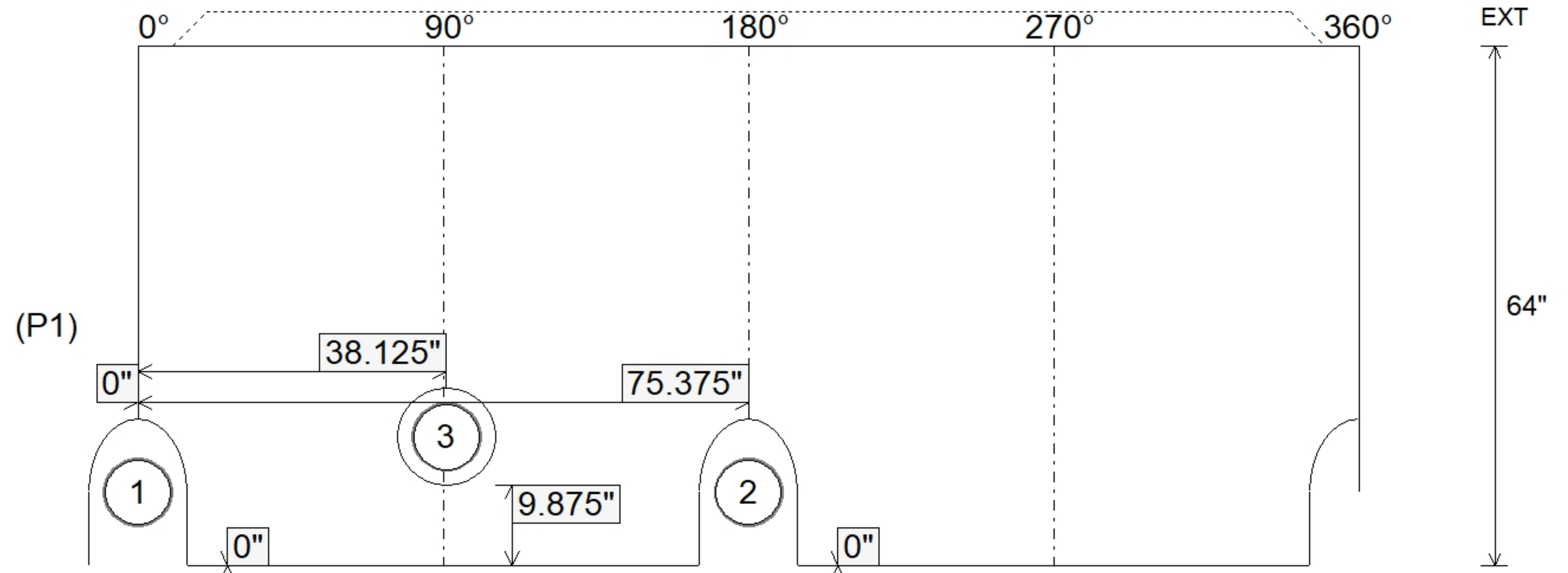
Rim: 576.53'    Rim to Invert: 8.84'    Slack: 0.08"    Sump: 0"    Step Position: 270°

Position	Elev	Angle	Ext. (cw)	Pipe	Pipe OD	Connector	Hole	Horz Size	Up ( )	Offset
Invert 1	567.69'	0°	0"	8" PVC SDR35	8.5"	DOGHOUSE 12"x18"	12" x 18"	12.129"	0"	0"
Invert 2	567.69'	180°	91.125"	8" PVC SDR35	8.5"	DOGHOUSE 12"x18"	12" x 18"	12.129"	0"	0"
Invert 3	568.26'	91°	46"	8" PVC SDR35	8.5"	PSX 12-08 NYLO	12"	12.129"	9.875"	0"
Invert 4										
Invert 5										
Invert 6										
Invert 7										
Invert 8										

**RIGHT-SIDE UP VIEW (int. dimensions)**



**INSIDE WALL DIMENSIONS**



Coating (Int): Coating (Ext):	Seam Up: Tongue Seam Dn: Flat	Wall Thickness: 5" Floor Height: 0"	Height (Int): 64" Height (Ext): 64"	Weight (Net): 4260 lb Volume (Net): 1.09cu.yd
----------------------------------	----------------------------------	--	--	--