

Job Name: 25-2860 Grace Park
Job Location: Nashville, TN
Contractor: Elite Building Group Inc.

PC: A.Chambers
 TECH: C.Russ
 Plant: Beaver Dam



Structure ID: **SSMH 3**
 Spec: Sanitary-Xypex
 Type: Manhole
 Size: 48"

Rim: 578.85'
 Invert: 569.51'
 Rim to Invert: 9.34'

Sump: 2"
 Floor (Top): 569.343'
 Floor Height: 6"

Floor (Bot): 568.843'
 Overall Height: 9.917'
 Slack: 1.08"

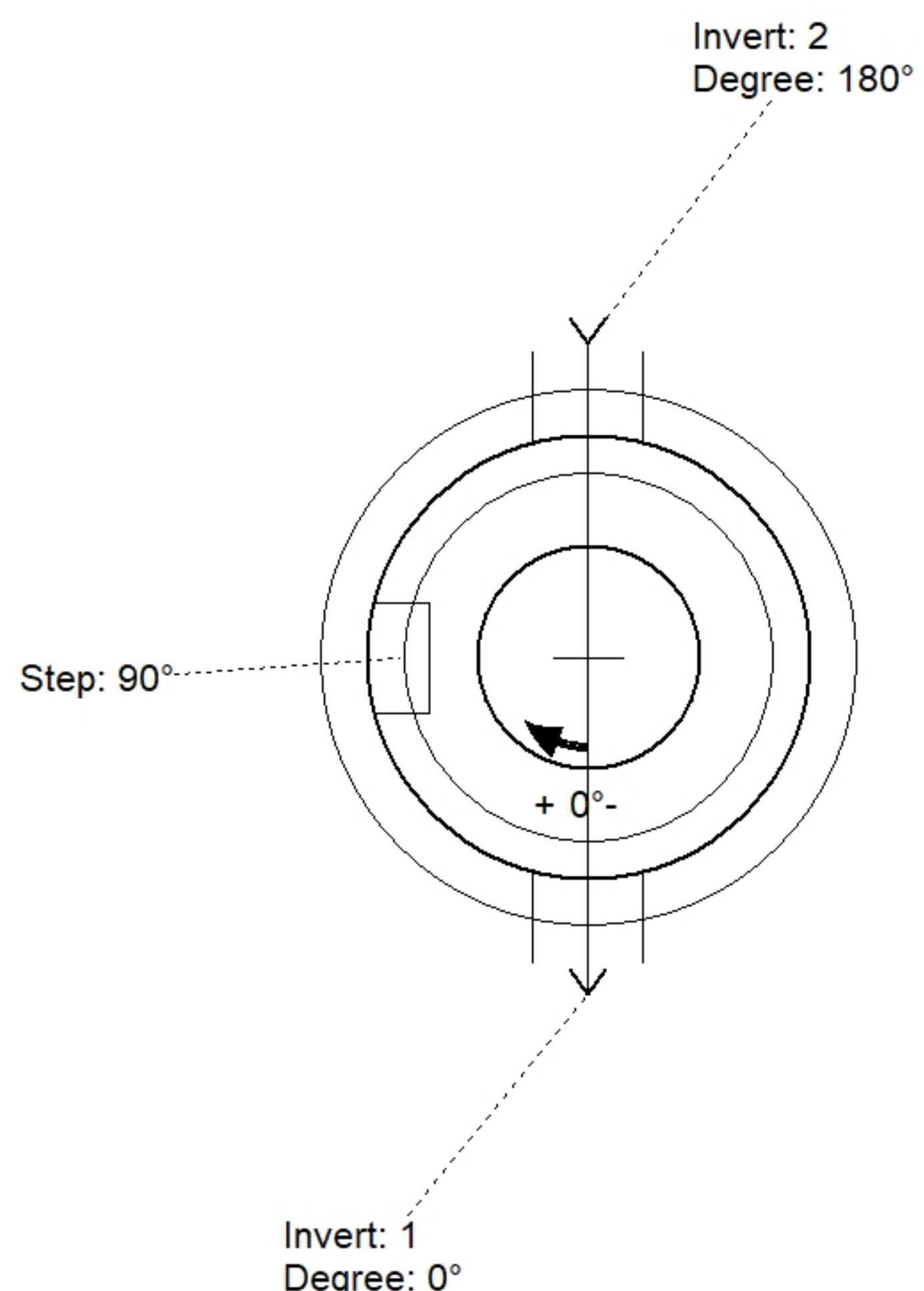
Structure Notes:

1. PER ASTM C913 SPECIFICATIONS.
2. CONCRETE = 4,000 PSI AT 28 DAYS.
3. NO INVERT CHANNEL.
4. CASTING BY OTHERS

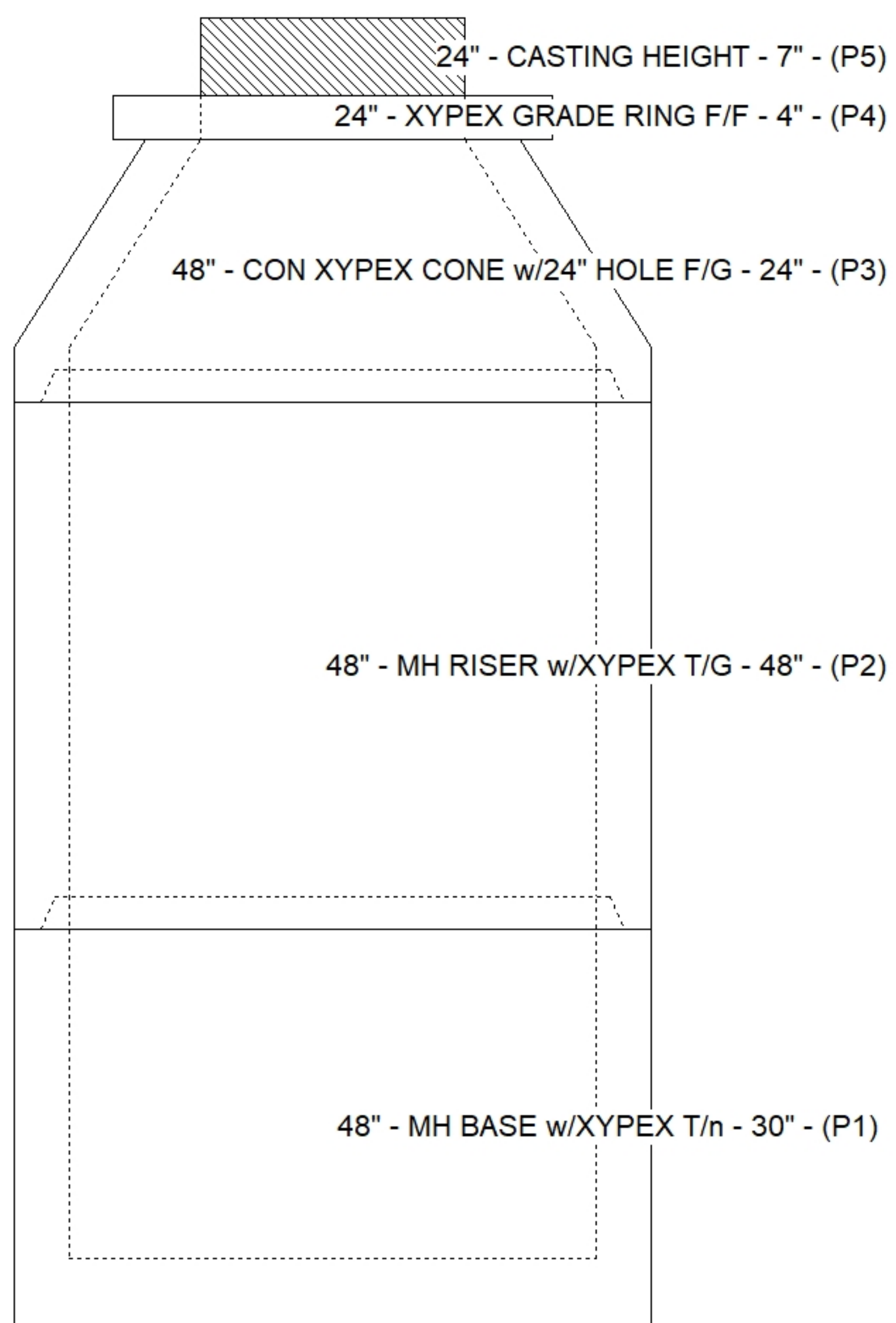
REINFORCING PER ASTM A615 (GRADE 60).
 - WALLS (As .31) #5 BARS AT 12" C.C.E.W.
 - FLOOR (As .31) #5 BARS AT 12" C.C.E.W.

STRUCTURE SUMMARY:

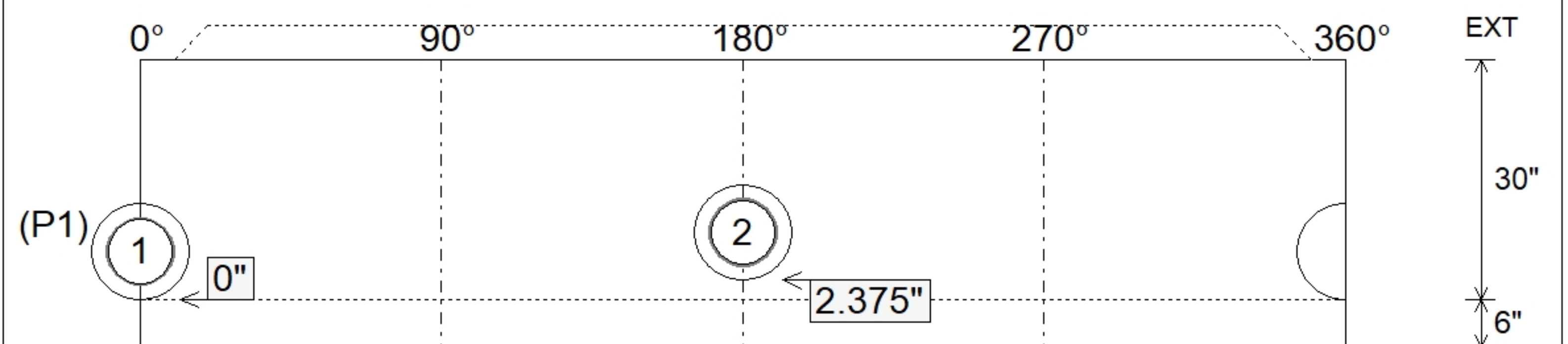
P5) 24" - CASTING HEIGHT - 7"	0 lb
P4) 24" - XYPEX GRADE RING F/F - 4"	270 lb
P3) 48" - CON XYPEX CONE w/24" HOLE F/G - 24"	2251 lb
P2) 48" - MH RISER w/XYPEX T/G - 48"	3353 lb
P1) 48" - MH BASE w/XYPEX T/n - 30"	3330 lb
1) 48" - MH INVERT CHANNEL w/XYPEX - FULL HEIGHT	1440 lb
1) JOINT WRAP - 0.065"x6"x50' CONSEAL CS212	0 lb
1) JOINT WRAP PRIMER - CONSEAL CS-75 (1 gal.)	0 lb
1) ADMIXTURE CONBLOCK CDA RED	0 lb
2) 48" - DBL 1"x14.5' Butyl (2x)	0 lb
2) PSX - 12-08 NYLO	16 lb
Structure Total:	10660 lb



Position	Elev	Angle	Pipe	Pipe OD	Hole	Connector	Up (")	Ref
Rim	578.85'							
Reducer								
Invert 1	569.51'	0°	8" PVC SDR35	8.5"	12"	PSX 12-08 NYLO	0"	P1
Invert 2	569.71'	180°	8" PVC SDR35	8.5"	12"	PSX 12-08 NYLO	2.375"	P1
Invert 3								
Invert 4								
Invert 5								
Invert 6								
Invert 7								
Invert 8								



Cast (Int. Dim.) - Interior Dimensions



Submittal Drawing
 10/14/2025 3:20:36 PM

SUBMITTAL
 APPROVED BY: