

Structure ID: SSMH 3

P2 MH048RS48X

MH RISER w/XYPEX T/G

P5) 24" - CASTING HEIGHT - 7" P4) 24" - XYPEX GRADE RING F/F - 4" P3) 48" - CON XYPEX CONE w/24" HOLE F/G - 24" P2) 48" - MH RISER w/XYPEX T/G - 48" P1) 48" - MH BASE w/XYPEX T/n - 30" 1) 48" - MH INVERT CHANNEL w/XYPEX - FULL HEIGHT 1) JOINT WRAP - 0.065"x6"x50' CONSEAL CS212 1) JOINT WRAP PRIMER - CONSEAL CS-75 (1 gal.) 1) ADMIXTURE CONBLOCK CDA RED 2) 48" - DBL 1"x14.5' Butyl (2x) 2) PSX - 12-08 NYLO	0 lb 270 lb 2251 lb 3353 lb 3330 lb 1440 lb 0 lb 0 lb 0 lb 0 lb 16 lb <hr style="width: 50%; margin-left: auto; margin-right: 0;"/> Structure Total: 10660 lb
--	--

Structure Notes:

1. PER ASTM C913 SPECIFICATIONS.
2. CONCRETE = 4,000 PSI AT 28 DAYS.
3. NO INVERT CHANNEL.
4. CASTING BY OTHERS

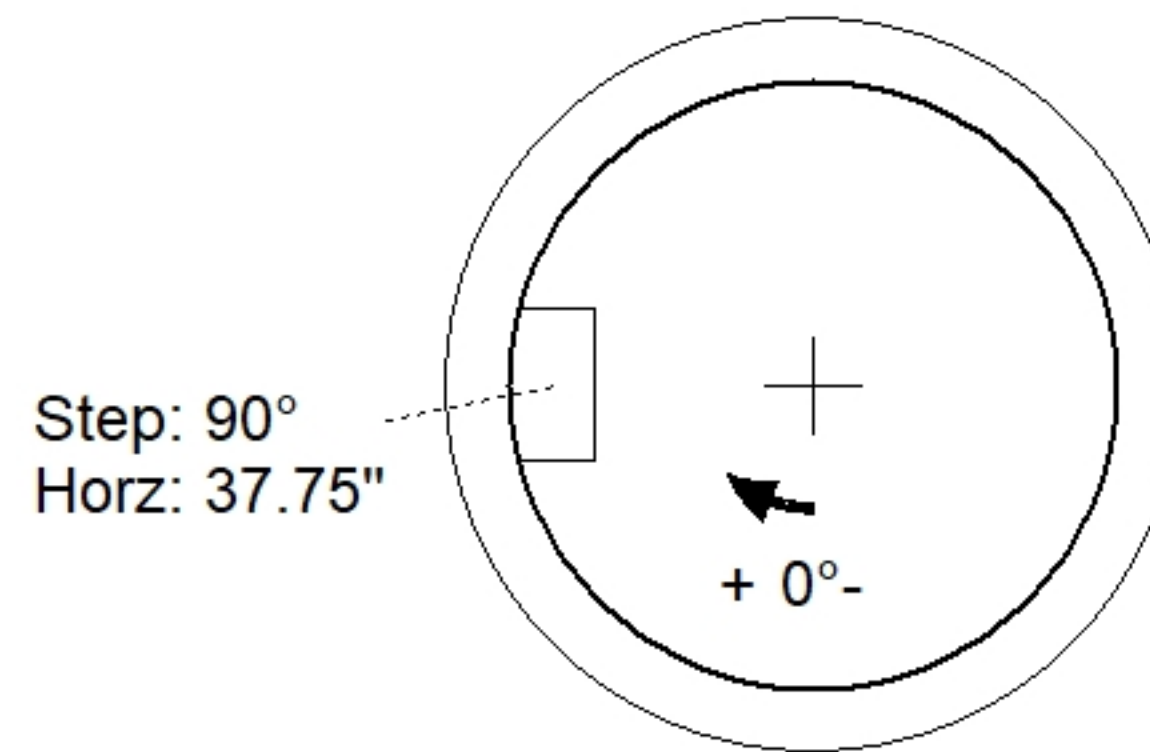
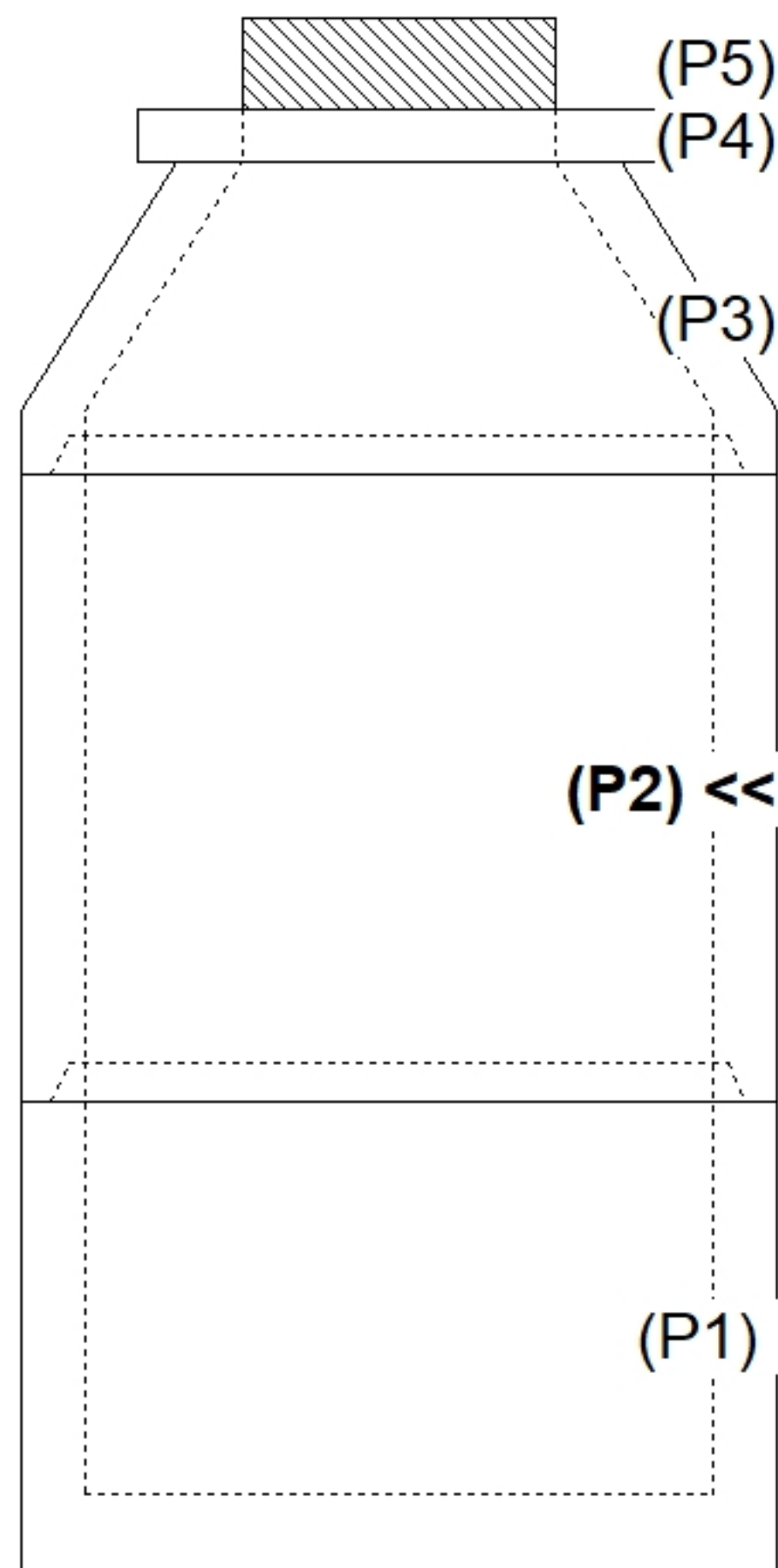
REINFORCING PER ASTM A615 (GRADE 60).

- WALLS (As .31) #5 BARS AT 12" C.C.E.W.
- FLOOR (As .31) #5 BARS AT 12" C.C.E.W.

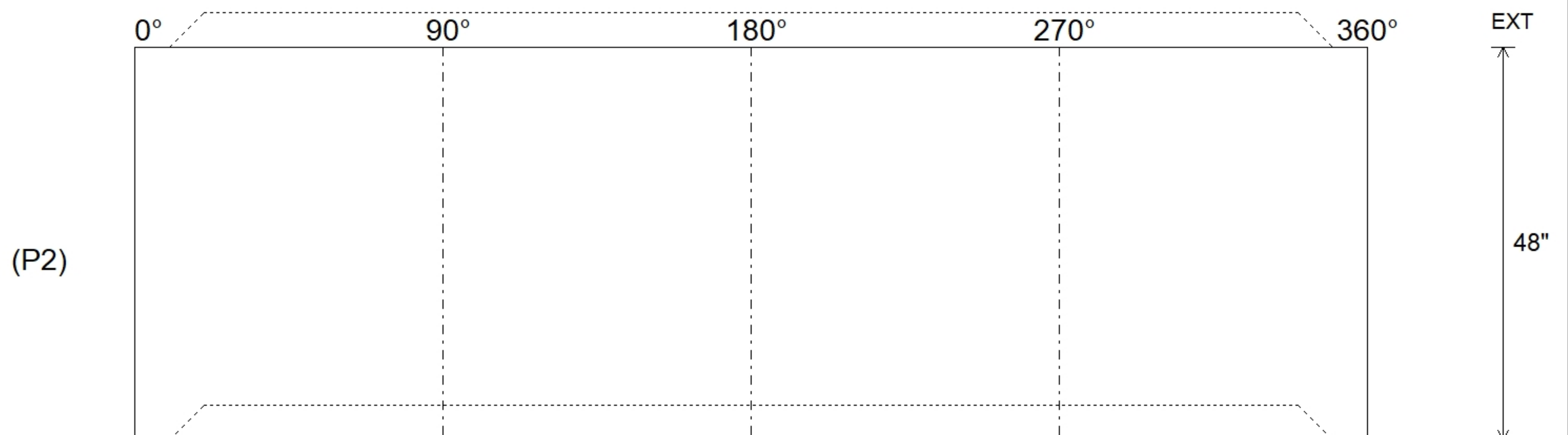
Rim: 578.85' Rim to Invert: 9.34' Slack: 1.08" Sump: 2" Step Position: 90

Position	Elev	Angle	Ext. (cw)	Pipe	Pipe OD	Connector	Hole	Horz Size	Up ()	Offset
Invert 1										
Invert 2										
Invert 3										
Invert 4										
Invert 5										
Invert 6										
Invert 7										
Invert 8										

RIGHT-SIDE UP VIEW (int. dimensions)



INSIDE WALL DIMENSIONS



Coating (Int):	Seam Up: Tongue Seam Dn: Groove	Wall Thickness: 5" Floor Height: 0"	Height (Int): 48" Height (Ext): 48"
Coating (Ext):			Weight (Net): 3353 lb Volume (Net): 0.86cu.yd