

**Structure ID: SSMH 3**

**P1 MH048BA30X**

**MH BASE w/XYPEX T/n**

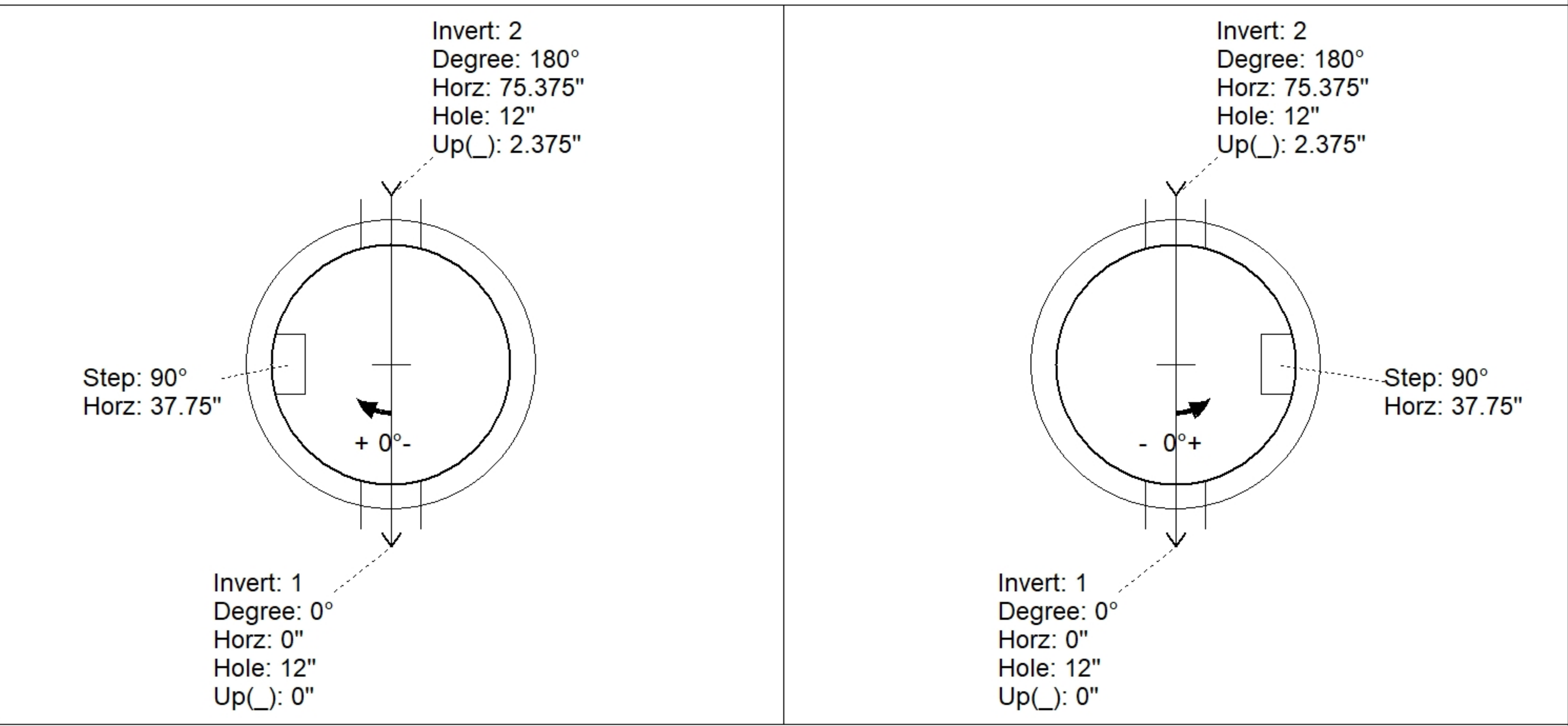
P5) 24" - CASTING HEIGHT - 7" P4) 24" - XYPEX GRADE RING F/F - 4" P3) 48" - CON XYPEX CONE w/24" HOLE F/G - 24" P2) 48" - MH RISER w/XYPEX T/G - 48" P1) 48" - MH BASE w/XYPEX T/n - 30" 1) 48" - MH INVERT CHANNEL w/XYPEX - FULL HEIGHT 1) JOINT WRAP - 0.065"x6"x50' CONSEAL CS212 1) JOINT WRAP PRIMER - CONSEAL CS-75 (1 gal.) 1) ADMIXTURE CONBLOCK CDA RED 2) 48" - DBL 1"x14.5' Butyl (2x) 2) PSX - 12-08 NYLO	0 lb 270 lb 2251 lb 3353 lb 3330 lb 1440 lb 0 lb 0 lb 0 lb 0 lb 16 lb <hr style="width: 50%; margin-left: auto; margin-right: 0;"/> Structure Total: 10660 lb	<b>Structure Notes:</b> 1. PER ASTM C913 SPECIFICATIONS. 2. CONCRETE = 4,000 PSI AT 28 DAYS. 3. NO INVERT CHANNEL. 4. CASTING BY OTHERS  <b>REINFORCING PER ASTM A615 (GRADE 60).</b> - WALLS (As .31) #5 BARS AT 12" C.C.E.W. - FLOOR (As .31) #5 BARS AT 12" C.C.E.W.
--	--	---

Rim: 578.85'    Rim to Invert: 9.34'    Slack: 1.08"    Sump: 2"    Step Position: 90

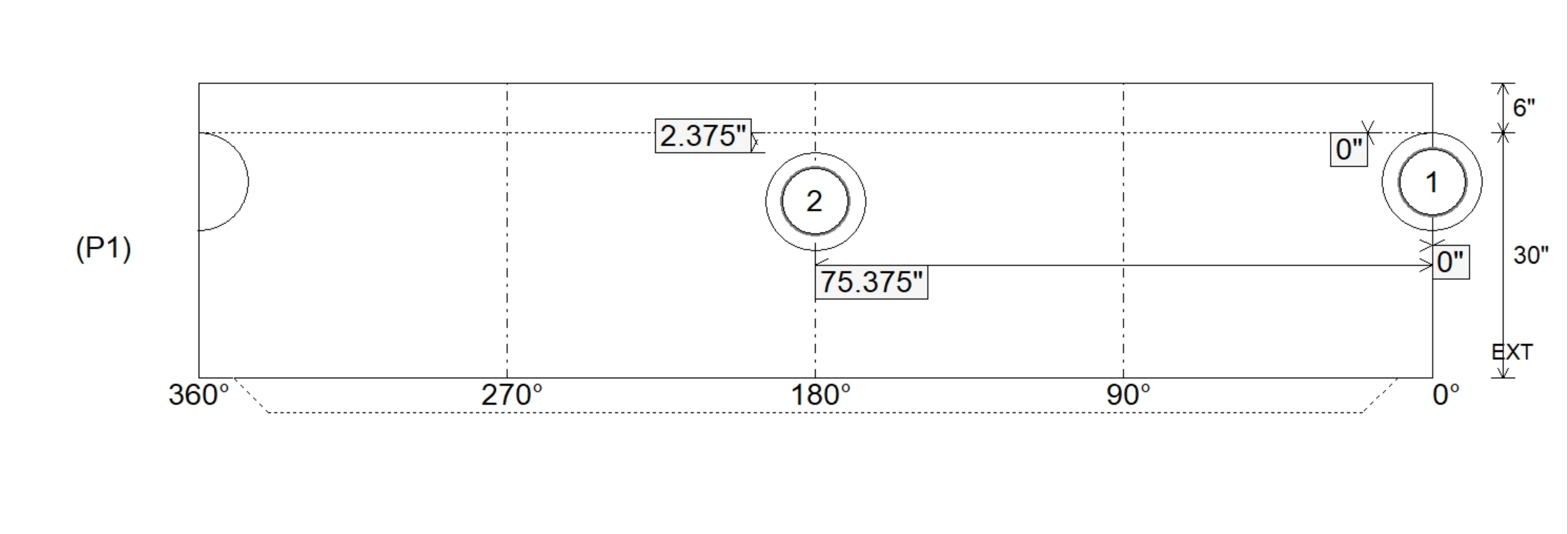
Position	Elev	Angle	Ext. (cw)	Pipe	Pipe OD	Connector	Hole	Horz Size	Up ( )	Offset
Invert 1	569.51'	0°	0"	8" PVC SDR35	8.5"	PSX 12-08 NYLO	12"	12.129"	0"	0"
Invert 2	569.71'	180°	91.125"	8" PVC SDR35	8.5"	PSX 12-08 NYLO	12"	12.129"	2.375"	0"
Invert 3										
Invert 4										
Invert 5										
Invert 6										
Invert 7										
Invert 8										

**RIGHT-SIDE UP VIEW (int. dimensions)**

**UPSIDE-DOWN VIEW (int. dimensions)**



**INSIDE WALL DIMENSIONS**



Coating (Int): Coating (Ext):	Seam Up: Tongue Seam Dn: n/a	Wall Thickness: 5" Floor Height: 6"	Height (Int): 30" Height (Ext): 36"	Weight (Net): 3330 lb Volume (Net): 0.85cu.yd
----------------------------------	---------------------------------	--	--	--

**Structure ID: SSMH 3**

**P1A MH048BA30X**

**MH BASE w/XYPEX T/n**

P5) 24" - CASTING HEIGHT - 7" P4) 24" - XYPEX GRADE RING F/F - 4" P3) 48" - CON XYPEX CONE w/24" HOLE F/G - 24" P2) 48" - MH RISER w/XYPEX T/G - 48" P1) 48" - MH BASE w/XYPEX T/n - 30" 1) 48" - MH INVERT CHANNEL w/XYPEX - FULL HEIGHT 1) JOINT WRAP - 0.065"x6"x50' CONSEAL CS212 1) JOINT WRAP PRIMER - CONSEAL CS-75 (1 gal.) 1) ADMIXTURE CONBLOCK CDA RED 2) 48" - DBL 1"x14.5' Butyl (2x) 2) PSX - 12-08 NYLO	0 lb 270 lb 2251 lb 3353 lb 3330 lb 1440 lb 0 lb 0 lb 0 lb 0 lb 16 lb <hr style="width: 50%; margin-left: auto; margin-right: 0;"/> Structure Total: 10660 lb
--	--

**Structure Notes:**

1. PER ASTM C913 SPECIFICATIONS.
2. CONCRETE = 4,000 PSI AT 28 DAYS.
3. NO INVERT CHANNEL.
4. CASTING BY OTHERS

REINFORCING PER ASTM A615 (GRADE 60).

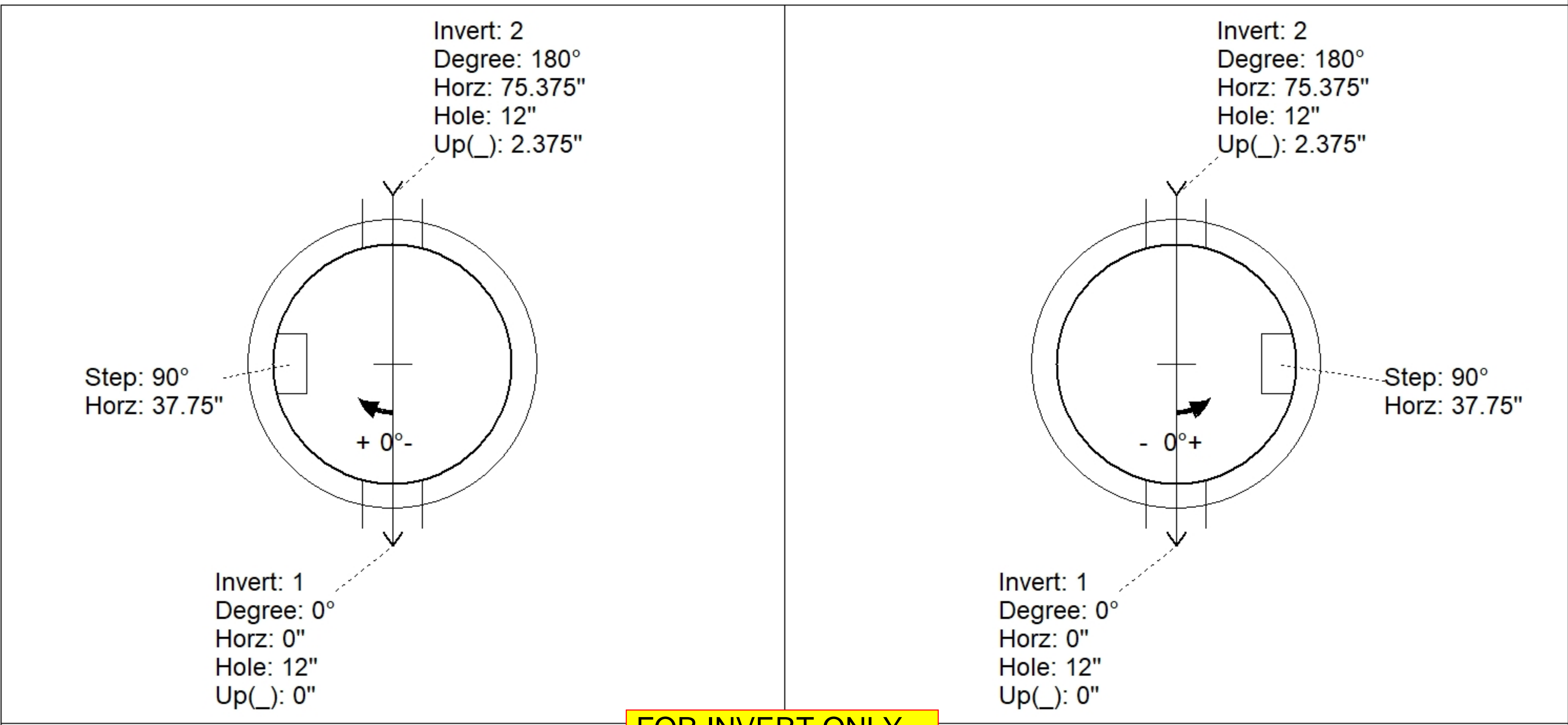
- WALLS (As .31) #5 BARS AT 12" C.C.E.W.
- FLOOR (As .31) #5 BARS AT 12" C.C.E.W.

Rim: 578.85'    Rim to Invert: 9.34'    Slack: 1.08"    Sump: 2"    Step Position: 90

Position	Elev	Angle	Ext. (cw)	Pipe	Pipe OD	Connector	Hole	Horz Size	Up ( )	Offset
Invert 1	569.51'	0°	0"	8" PVC SDR35	8.5"	PSX 12-08 NYLO	12"	12.129"	0"	0"
Invert 2	569.71'	180°	91.125"	8" PVC SDR35	8.5"	PSX 12-08 NYLO	12"	12.129"	2.375"	0"
Invert 3										
Invert 4										
Invert 5										
Invert 6										
Invert 7										
Invert 8										

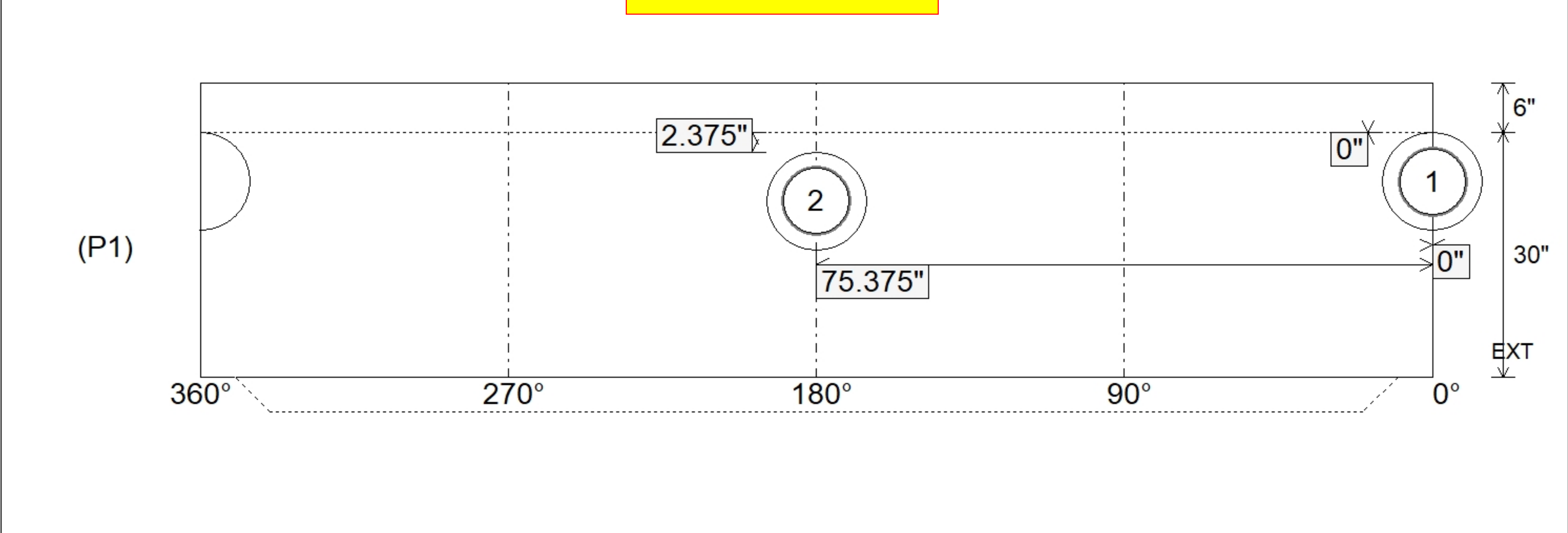
RIGHT-SIDE UP VIEW (int. dimensions)

UPSIDE-DOWN VIEW (int. dimensions)



INSIDE WALL DIMENSIONS

FOR INVERT ONLY



Coating (Int): Coating (Ext):	Seam Up: Tongue Seam Dn: n/a	Wall Thickness: 5" Floor Height: 6"	Height (Int): 30" Height (Ext): 36"	Weight (Net): 3330 lb Volume (Net): 0.85cu.yd
----------------------------------	---------------------------------	--	--	--