

Job Name: 25-2860 Grace Park
Job Location: Nashville, TN
Contractor: Elite Building Group Inc.

PC: A.Chambers
 TECH: C.Russ
 Plant: Beaver Dam



Structure ID: **SCI 3**

Spec: Storm
 Type: STM.MH (Recessed pipe)
 Size: 48"

Rim: 607.51'
 Invert: 597.79'
 Rim to Invert: 9.72'

Sump: 0"
 Floor (Top): 597.79'
 Floor Height: 6"

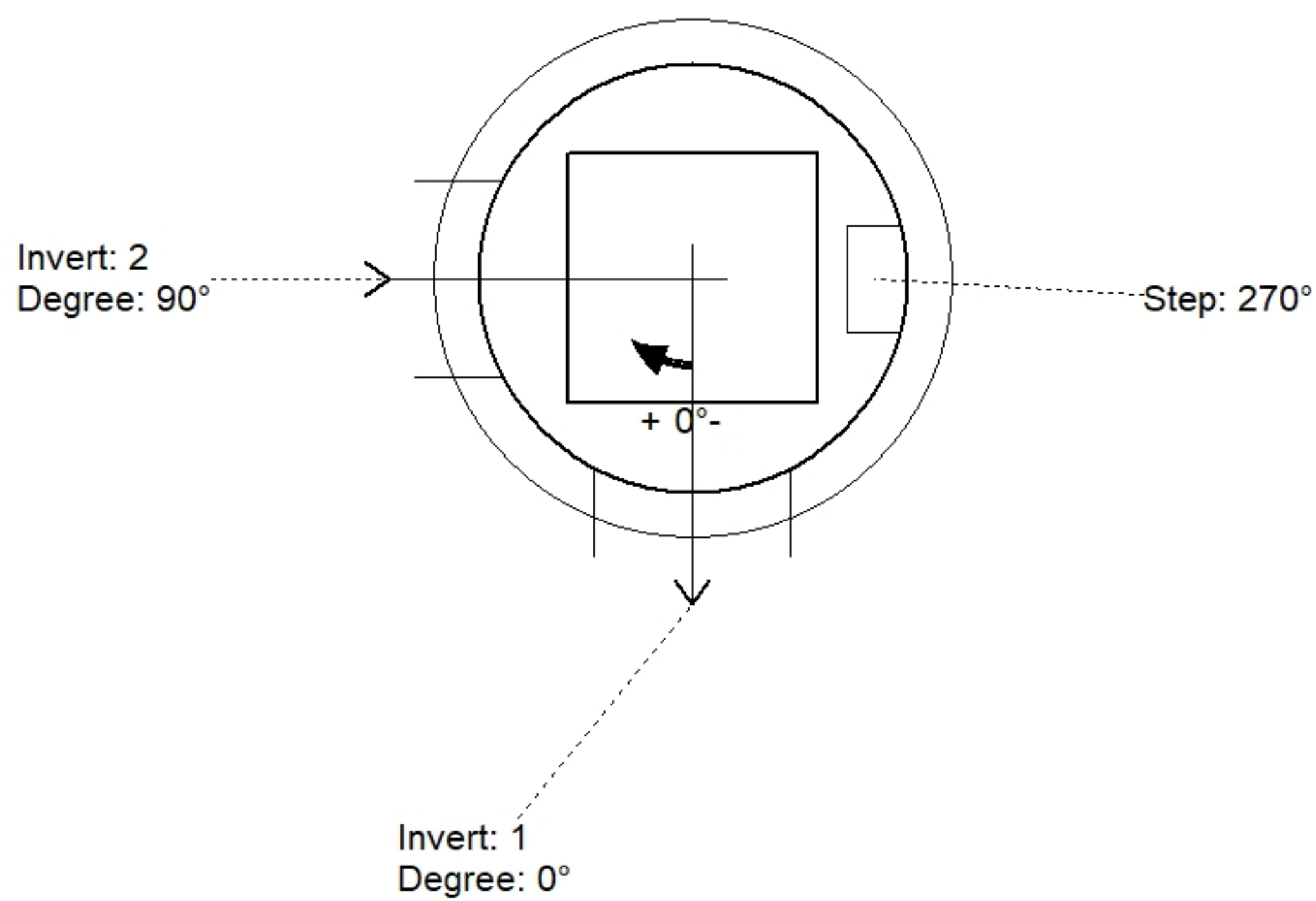
Floor (Bot): 597.29'
 Overall Height: 10'
 Slack: 2.64"

Structure Notes:

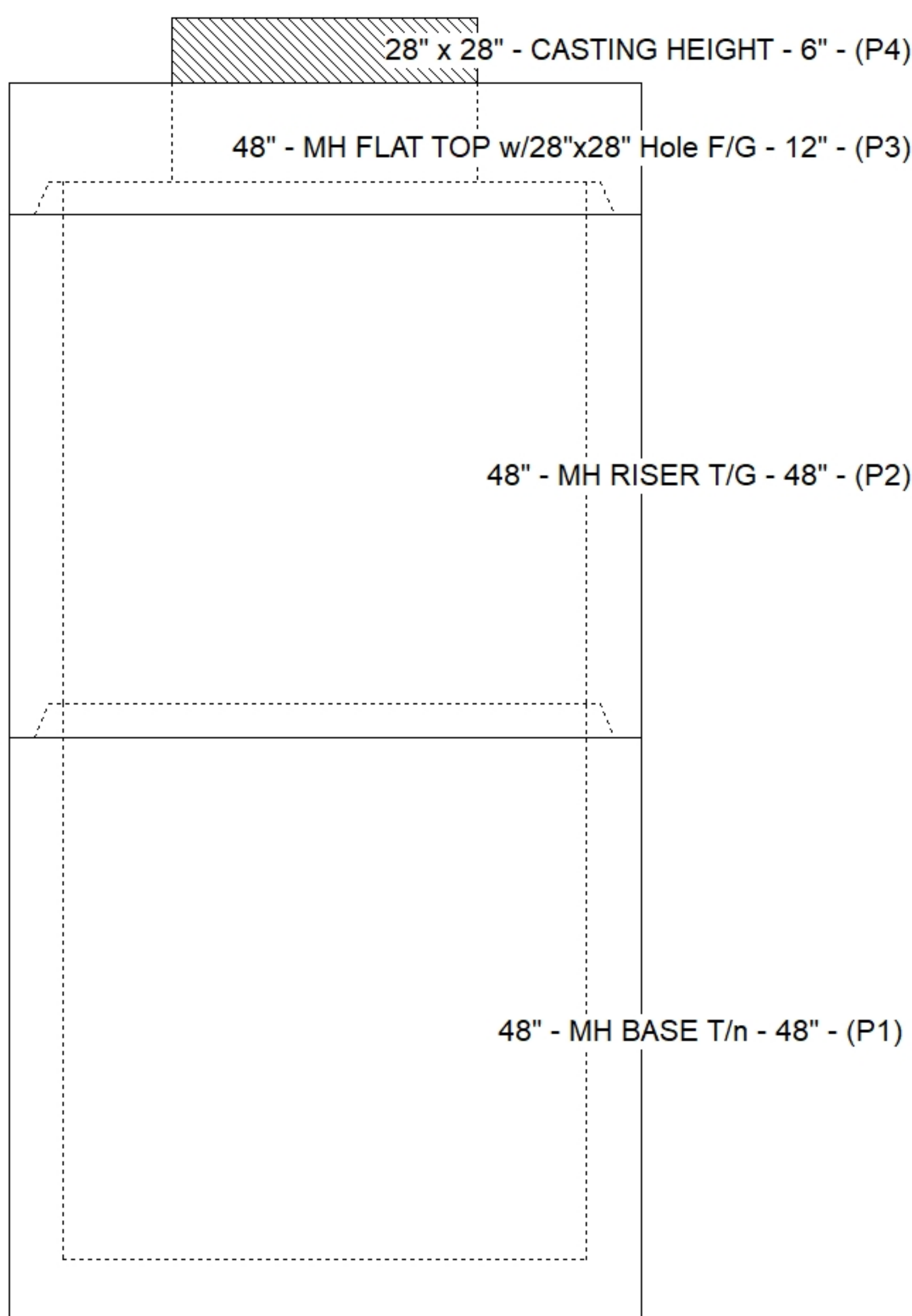
1. PER ASTM C478 SPECIFICATIONS.
2. CONCRETE = 4,000 PSI AT 28 DAYS.
3. NO INVERT CHANNEL.
4. REINFORCING PER ASTM A615 (GRADE 60).
5. CASTING BY OTHERS

STRUCTURE SUMMARY:

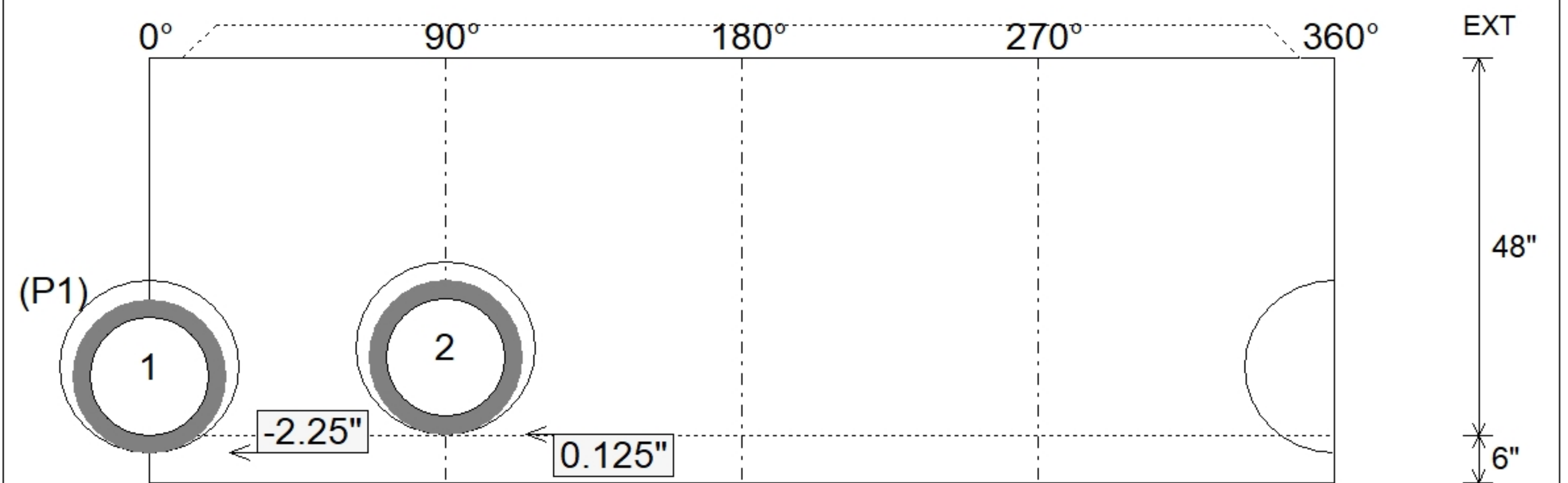
P4) 28" x 28" - CASTING HEIGHT - 6"	0 lb
P3) 48" - MH FLAT TOP w/28"x28" Hole F/G - 12"	1368 lb
P2) 48" - MH RISER T/G - 48"	3353 lb
P1) 48" - MH BASE T/n - 48"	4354 lb
2) 48" - SGL 1"x14.5' Butyl (2x)	0 lb
2) Hole - 22	0 lb
8) MH Step ML-10-TDS-NCR - 10"	0 lb
Structure Total:	9075 lb



Position	Elev	Angle	Pipe	Pipe OD	Hole	Connector	Up ()	Ref
Rim	607.51'							
Reducer								
Invert 1	597.79'	0°	15" RCP B WALL	19.5"	22"	Hole 22	-2.25"	P1
Invert 2	597.99'	90°	15" RCP B WALL	19.5"	22"	Hole 22	0.125"	P1
Invert 3								
Invert 4								
Invert 5								
Invert 6								
Invert 7								
Invert 8								



Cast (Int. Dim.) - Interior Dimensions



Submittal Drawing
 10/14/2025 3:20:30 PM

SUBMITTAL
 APPROVED BY: