

Job Name: 25-2860 Grace Park  
 Job Location: Nashville, TN  
 Contractor: Elite Building Group Inc.

Plant: Beaver Dam  
 10/14/2025 3:21:05 PM

Tech: C.Russ  
 PC: A.Chambers



**Structure ID: SCI 2**

**P1 MH048BA54**

**MH BASE T/n**

- P3) 28" x 28" - CASTING HEIGHT - 6"
- P2) 48" - MH FLAT TOP w/28"x28" Hole F/G - 12"
- P1) 48" - MH BASE T/n - 54"
- 1) 48" - SGL 1"x14.5' Butyl (2x)
- 1) Hole - 22
- 5) MH Step ML-10-TDS-NCR - 10"

0 lb  
 1368 lb  
 4938 lb  
 0 lb  
 0 lb  
 0 lb  
 -----  
 Structure Total: 6306 lb

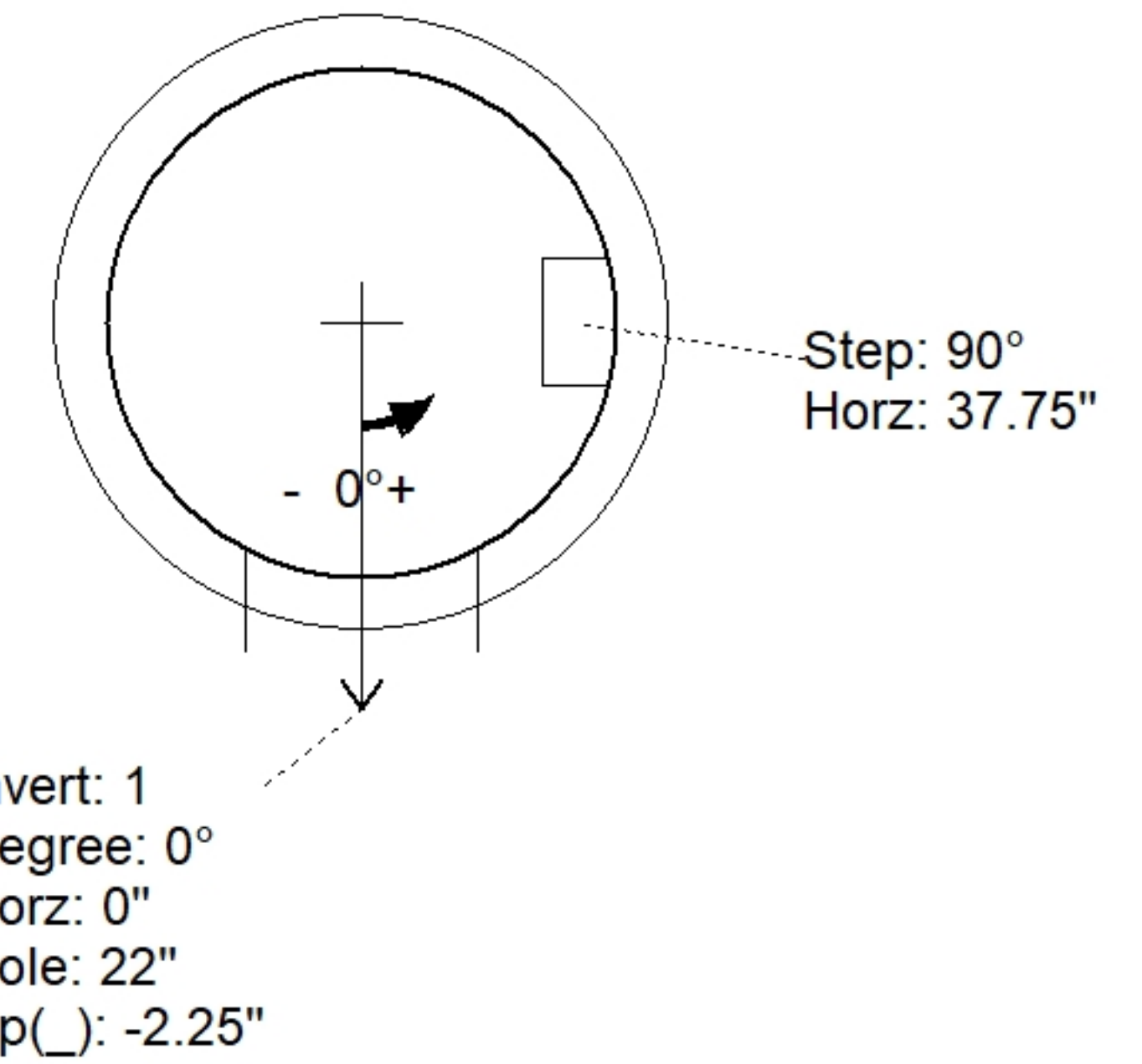
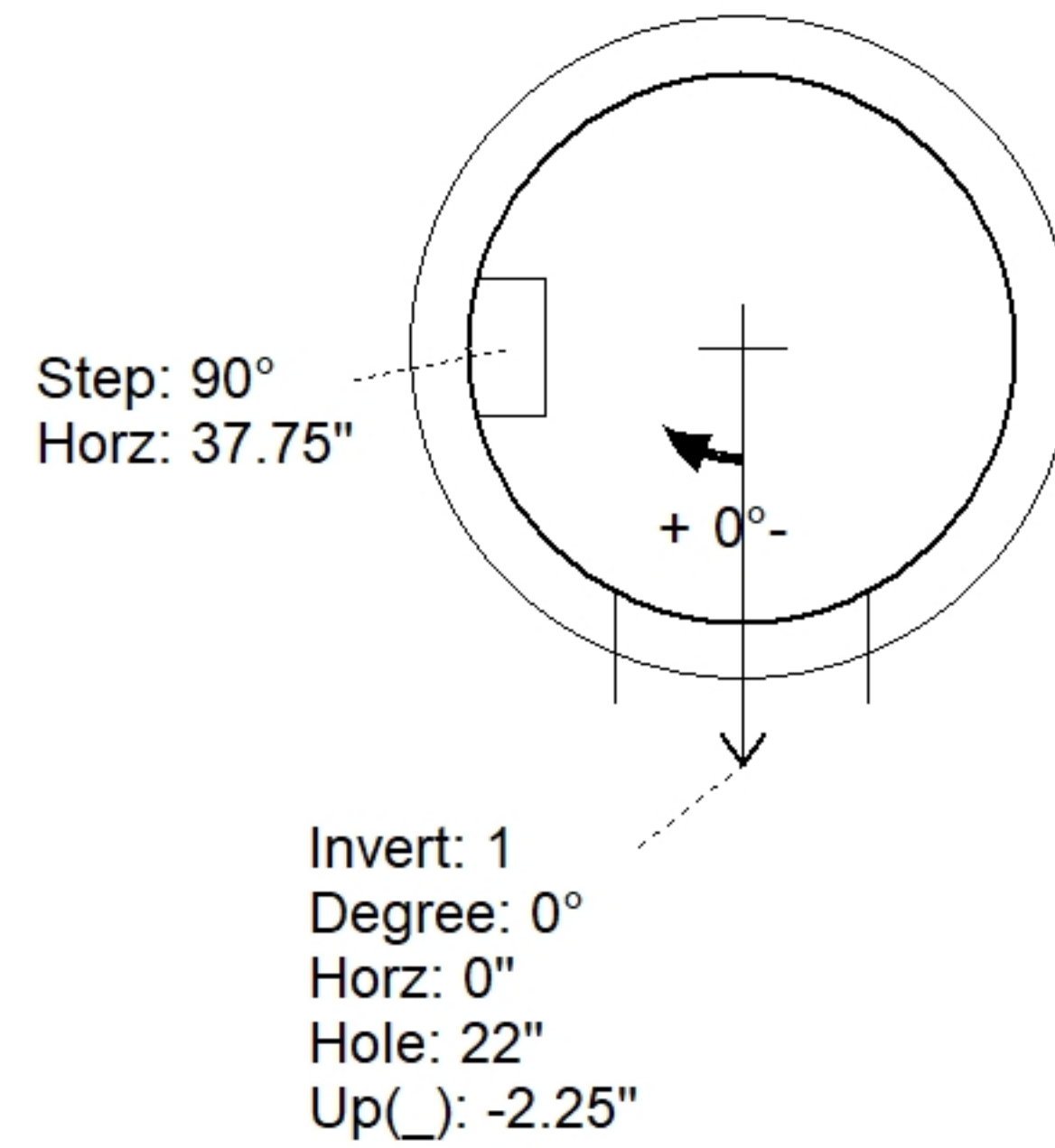
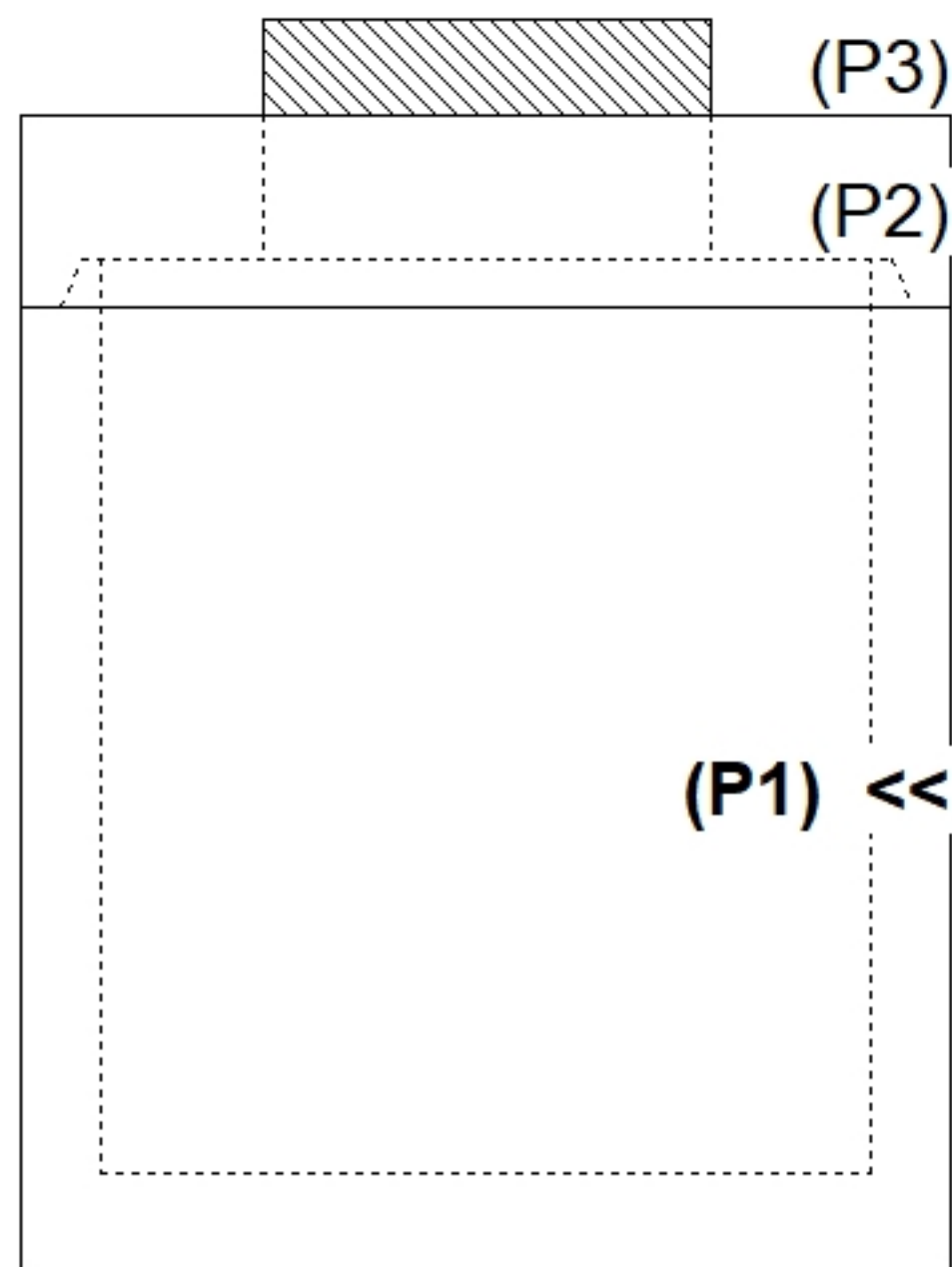
- Structure Notes:**
1. PER ASTM C478 SPECIFICATIONS.
  2. CONCRETE = 4,000 PSI AT 28 DAYS.
  3. NO INVERT CHANNEL.
  4. REINFORCING PER ASTM A615 (GRADE 60).
  5. CASTING BY OTHERS

Rim: 604.99' Rim to Invert: 6.07' Slack: 0.84" Sump: 0" Step Position: 90

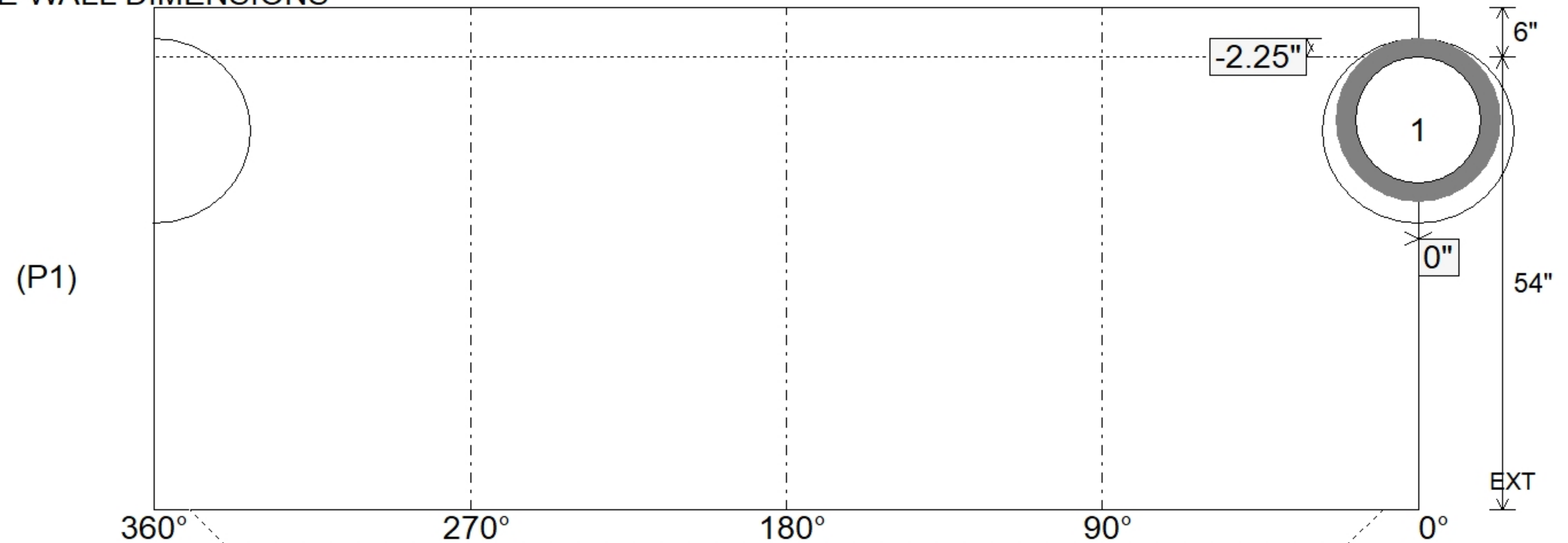
Position	Elev	Angle	Ext. (cw)	Pipe	Pipe OD	Connector	Hole	Horz Size	Up ( )	Offset
Invert 1	598.92'	0°	0"	15" RCP B WALL	19.5"	Hole 22	22"	22.854"	-2.25"	0"
Invert 2										
Invert 3										
Invert 4										
Invert 5										
Invert 6										
Invert 7										
Invert 8										

RIGHT-SIDE UP VIEW (int. dimensions)

UPSIDE-DOWN VIEW (int. dimensions)



INSIDE WALL DIMENSIONS



Coating (Int):  
 Coating (Ext):

Seam Up: Tongue  
 Seam Dn: n/a

Wall Thickness: 5"  
 Floor Height: 6"

Height (Int): 54"  
 Height (Ext): 60"

Weight (Net): 4938 lb  
 Volume (Net): 1.26cu.yd