

**Structure ID: DCI 4**

**P1 BX28640606-VH**

**BOX BASE 6inW, 6inF, Variable Ht F/n**

P2) 28" x 64" - CASTING HEIGHT - 7.50" P1) 28" x 64" - BOX BASE 6inW, 6inF, Variable Ht F/n - 45" 1) 28" x 64" - Conseal CS-102 1.00" 2) Hole - 22" 2) LINTEL BAR SLOT n/n - 7"x1"	0 lb 5853 lb 0 lb 0 lb 0 lb ----- Structure Total: 5853 lb
--	--

**Structure Notes:**

1. PER ASTM C913 SPECIFICATIONS.
2. CONCRETE = 4,000 PSI AT 28 DAYS.
3. NO INVERT CHANNEL.
4. CASTING BY OTHERS.

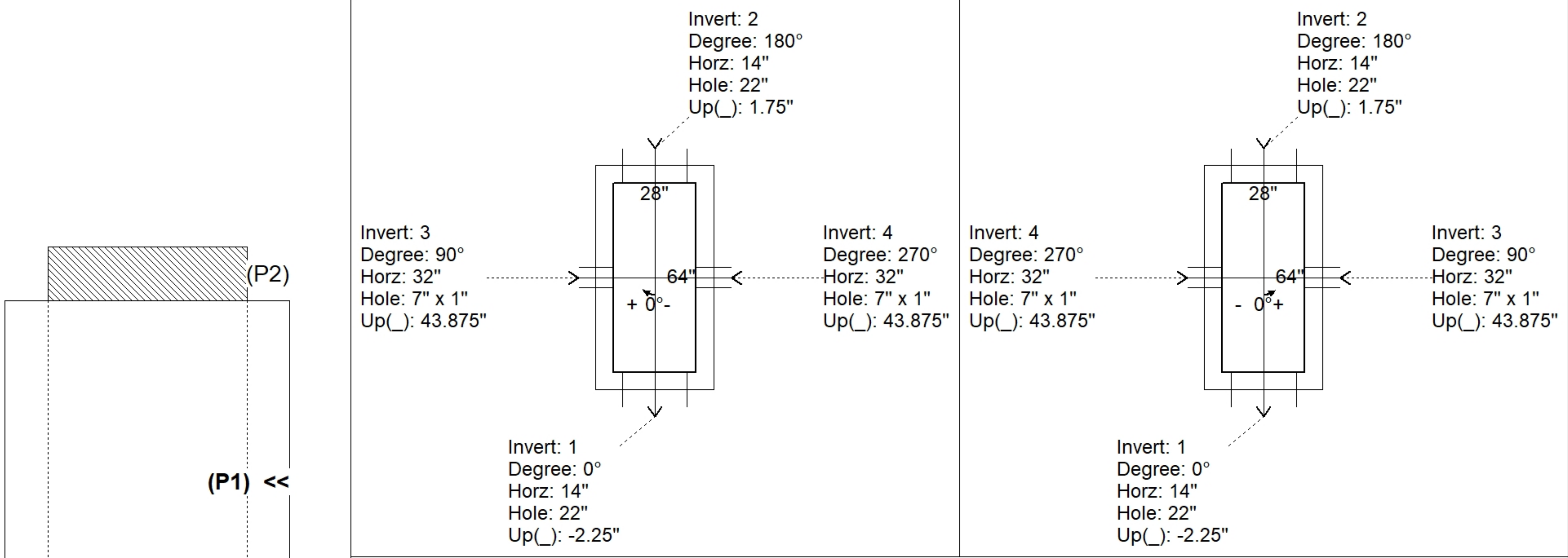
REINFORCING PER ASTM A615 (GRADE 60).  
 - WALLS (As .31) #5 BARS AT 12" C.C.E.W.  
 - FLOOR (As .31) #5 BARS AT 12" C.C.E.W.

Rim: 590.14'    Rim to Invert: 4.39'    Slack: 0.18"    Sump: 0"    Step Position: 0°

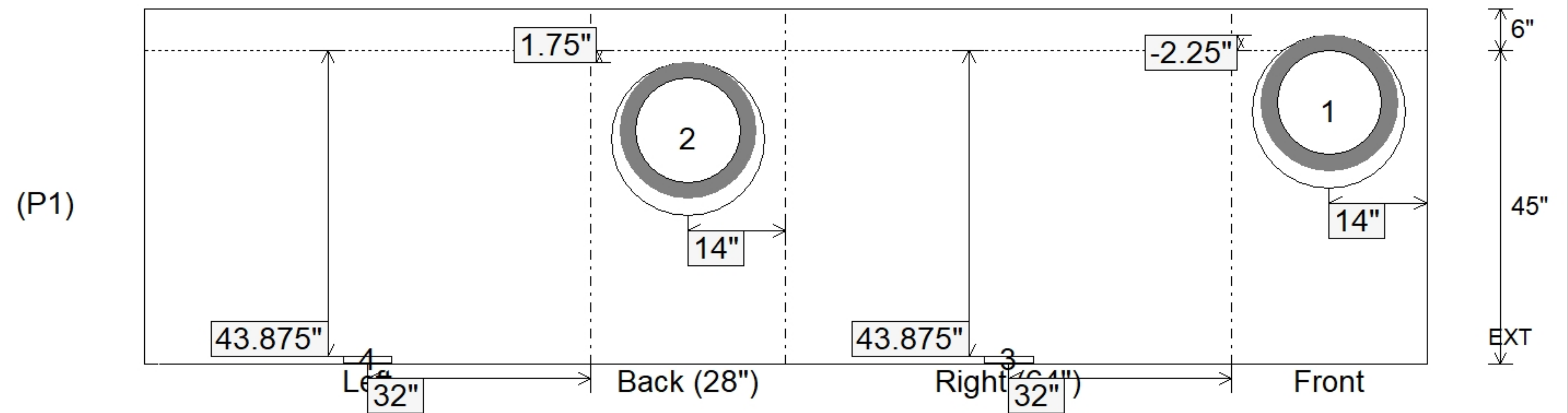
Position	Elev	Angle	Ext. (cw)	Pipe	Pipe OD	Connector	Hole	Horz Size	Up ( )	Offset
Invert 1	585.75'	0°	20"	15" RCP B WALL	19.5"	Hole 22	22"	22"	-2.25"	0"
Invert 2	586.08'	180°	20"	15" RCP B WALL	19.5"	Hole 22	22"	22"	1.75"	0"
Invert 3	589.41'	90°	38"	7" x 1" LINTEL BAR SLOT	7" x 1"	LINTEL BAR SLOT 7"x1"	7" x 1"	7"	43.875"	0"
Invert 4	589.41'	270°	38"	7" x 1" LINTEL BAR SLOT	7" x 1"	LINTEL BAR SLOT 7"x1"	7" x 1"	7"	43.875"	0"
Invert 5										
Invert 6										
Invert 7										
Invert 8										

**RIGHT-SIDE UP VIEW (int. dimensions)**

**UPSIDE-DOWN VIEW (int. dimensions)**



**INSIDE WALL DIMENSIONS**



Coating (Int): Coating (Ext):	Seam Up: Flat Seam Dn: n/a	Wall Thickness: 6" Floor Height: 6"	Height (Int): 45" Height (Ext): 51"	Weight (Net): 5853 lb Volume (Net): 1.5cu.yd
----------------------------------	-------------------------------	--	--	---