

Structure ID: 2a

P1 MH048BA60

MH BASE T/n

P3) 28" x 28" - CASTING HEIGHT - 6" P2) 48" - MH FLAT TOP w/28"x28" Hole F/G - 12" P1) 48" - MH BASE T/n - 60" 1) 48" - SGL 1"x14.5' Butyl (2x) 3) Hole - 22 5) MH Step ML-10-TDS-NCR - 10"	0 lb 1368 lb 5028 lb 0 lb 0 lb 0 lb ----- Structure Total: 6396 lb
--	---

Structure Notes:

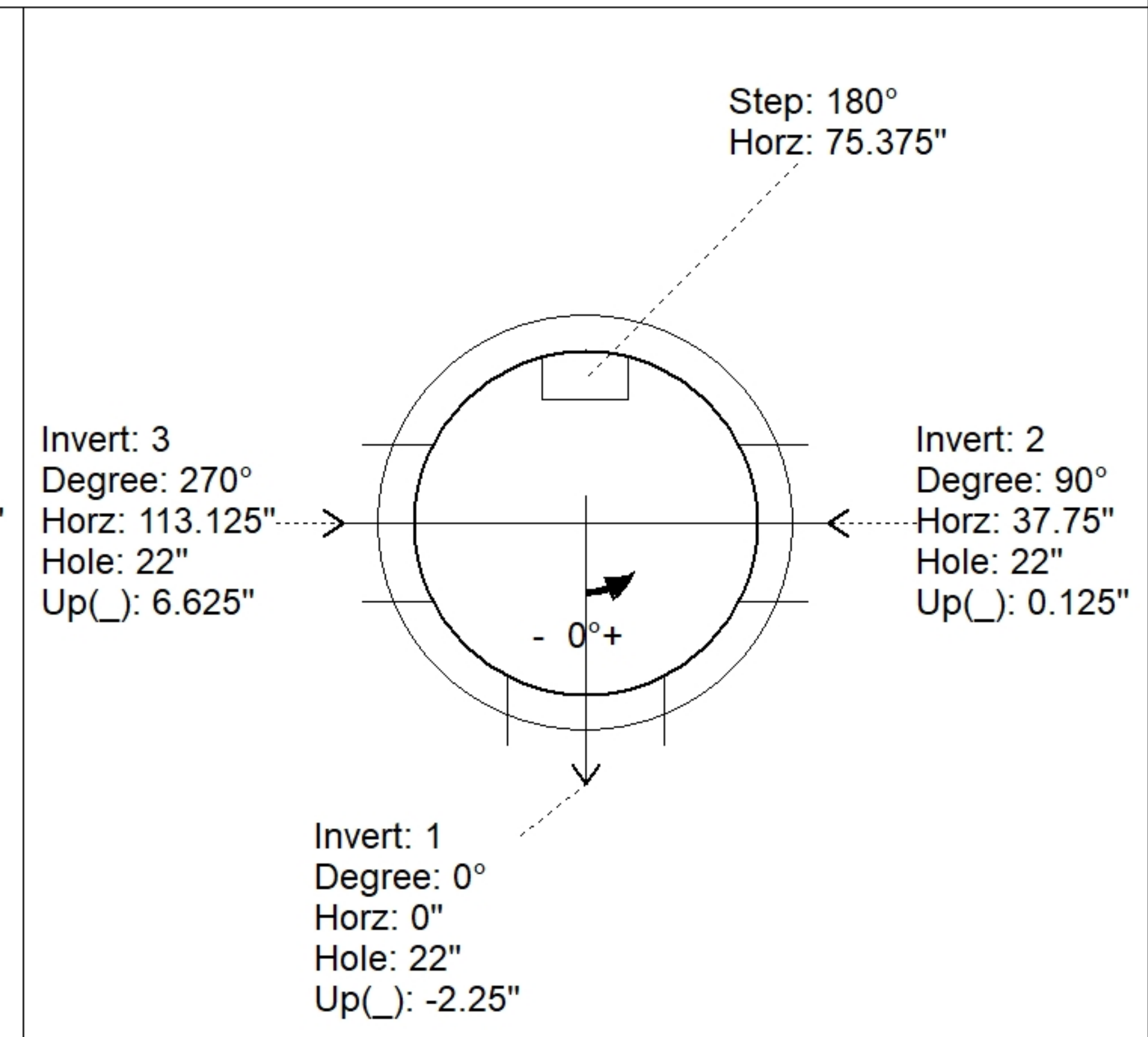
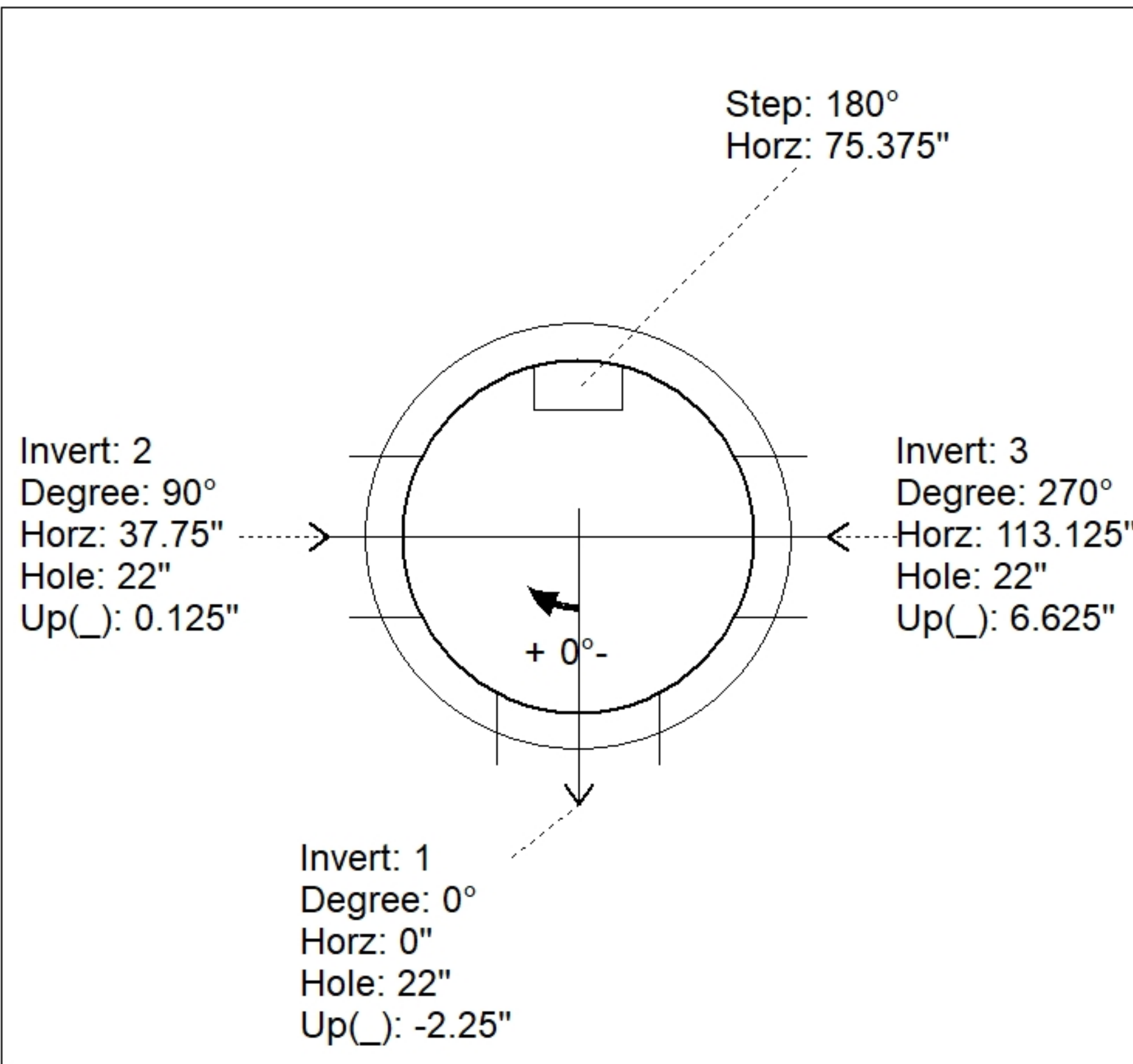
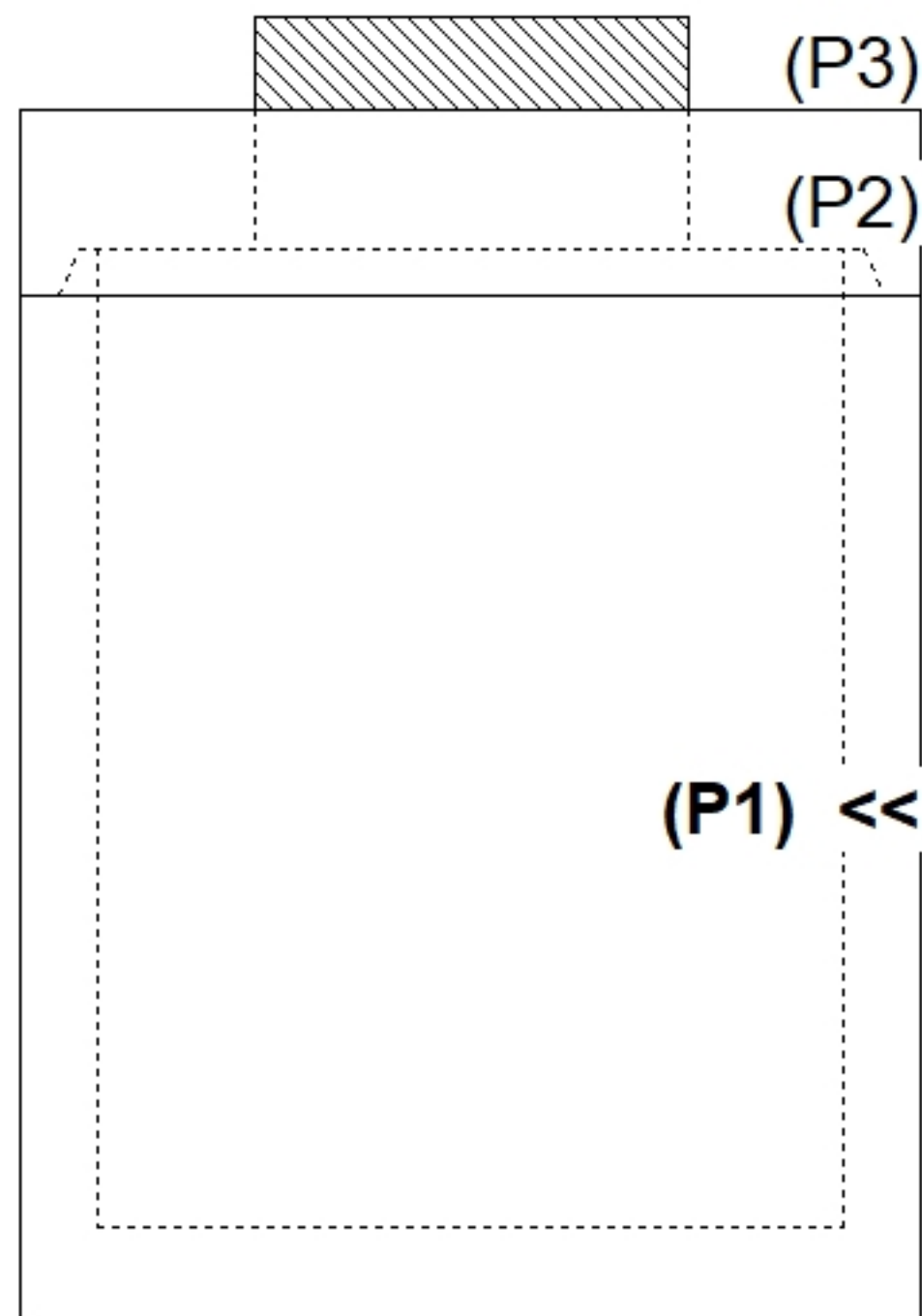
1. PER ASTM C478 SPECIFICATIONS.
2. CONCRETE = 4,000 PSI AT 28 DAYS.
3. NO INVERT CHANNEL.
4. REINFORCING PER ASTM A615 (GRADE 60).
5. CASTING BY OTHERS

Rim: 604.99' Rim to Invert: 6.52' Slack: 0.24" Sump: 0" Step Position: 180

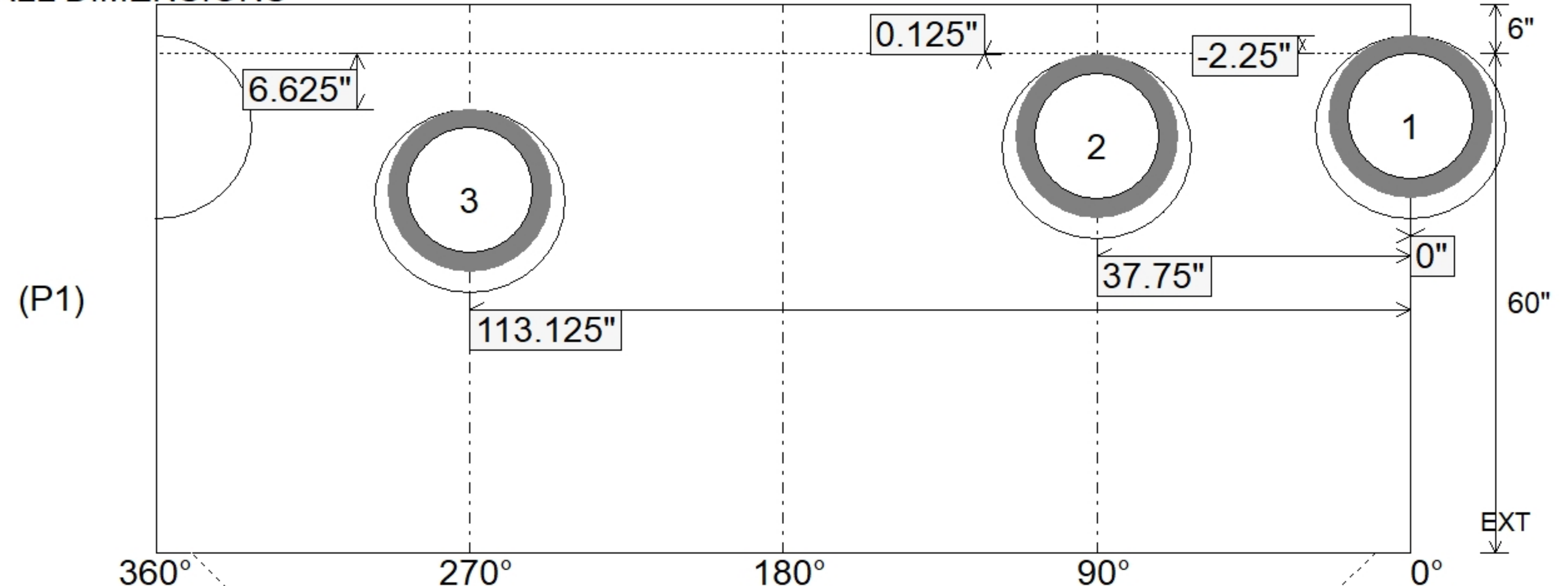
Position	Elev	Angle	Ext. (cw)	Pipe	Pipe OD	Connector	Hole	Horz Size	Up ()	Offset
Invert 1	598.47'	0°	0"	15" RCP B WALL	19.5"	Hole 22	22"	22.854"	-2.25"	0"
Invert 2	598.67'	90°	45.5"	15" RCP B WALL	19.5"	Hole 22	22"	22.854"	0.125"	0"
Invert 3	599.21'	270°	136.625"	15" RCP B WALL	19.5"	Hole 22	22"	22.854"	6.625"	0"
Invert 4										
Invert 5										
Invert 6										
Invert 7										
Invert 8										

RIGHT-SIDE UP VIEW (int. dimensions)

UPSIDE-DOWN VIEW (int. dimensions)



INSIDE WALL DIMENSIONS



Coating (Int): Coating (Ext):	Seam Up: Tongue Seam Dn: n/a	Wall Thickness: 5" Floor Height: 6"	Height (Int): 60" Height (Ext): 66"	Weight (Net): 5028 lb Volume (Net): 1.28cu.yd
----------------------------------	---------------------------------	--	--	--