

**Job Name: 25-2860 Grace Park**  
**Job Location: Nashville, TN**  
**Contractor: Elite Building Group Inc.**

PC: A.Chambers  
 TECH: C.Russ  
 Plant: Beaver Dam



Structure ID: 1A  
 Spec: Sanitary-Xypex  
 Type: Manhole  
 Size: 48"

Rim: 613.93'  
 Invert: 610.25'  
 Rim to Invert: 3.68'

Sump: 2"  
 Floor (Top): 610.083'  
 Floor Height: 6"

Floor (Bot): 609.583'  
 Overall Height: 4.333'  
 Slack: 0.16"

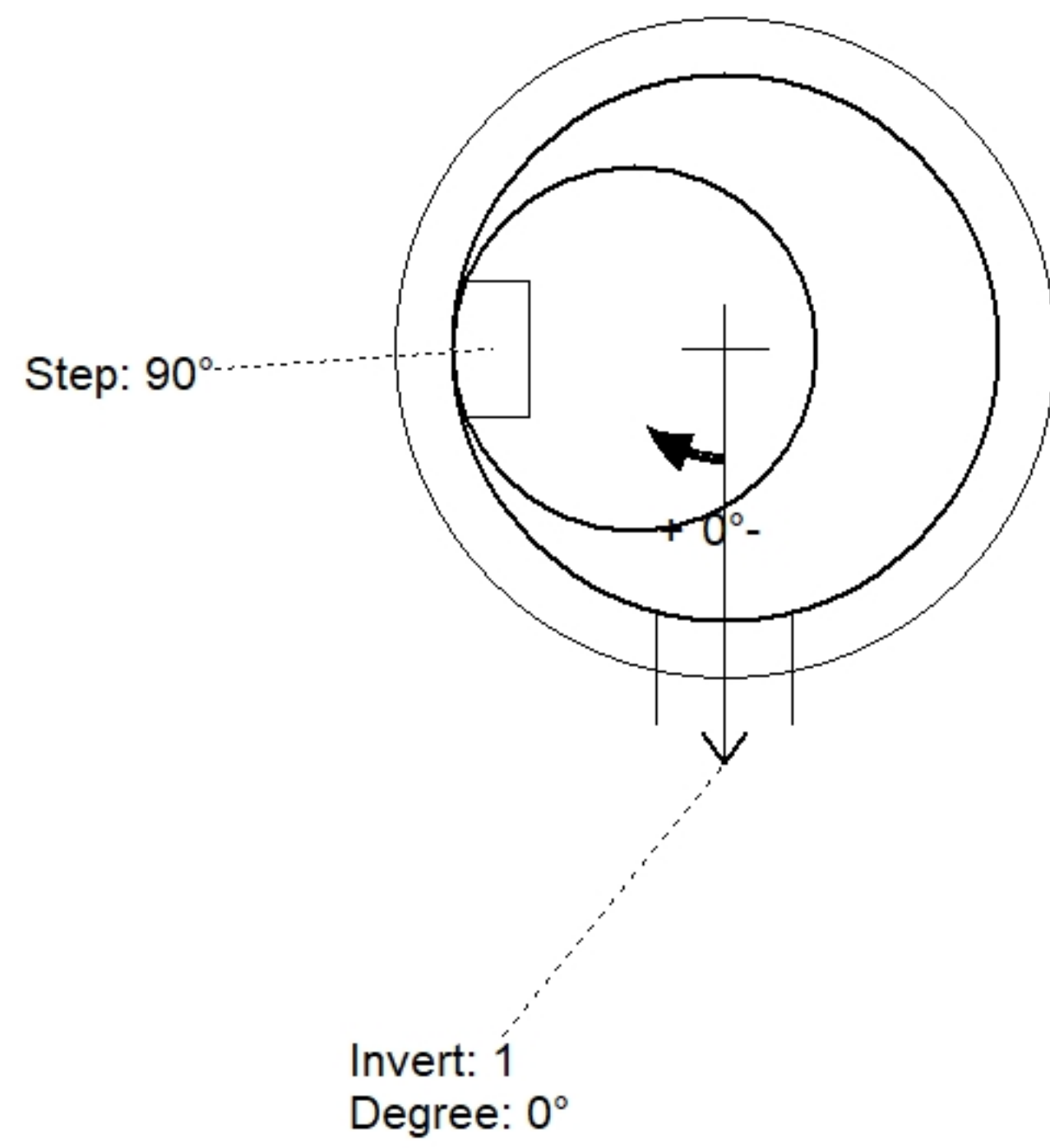
**Structure Notes:**

1. PER ASTM C913 SPECIFICATIONS.
2. CONCRETE = 4,000 PSI AT 28 DAYS.
3. NO INVERT CHANNEL.
4. CASTING BY OTHERS

REINFORCING PER ASTM A615 (GRADE 60).  
 - WALLS (As .31) #5 BARS AT 12" C.C.E.W.  
 - FLOOR (As .31) #5 BARS AT 12" C.C.E.W.

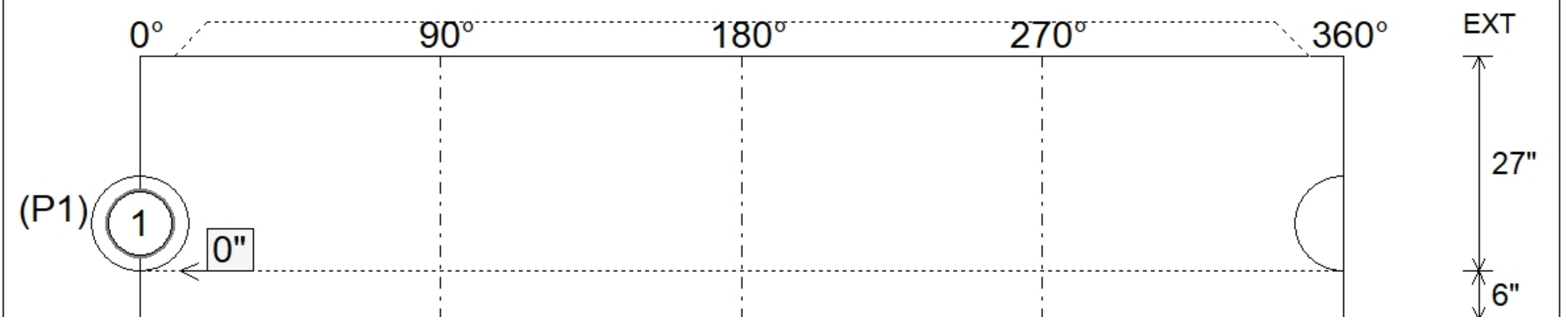
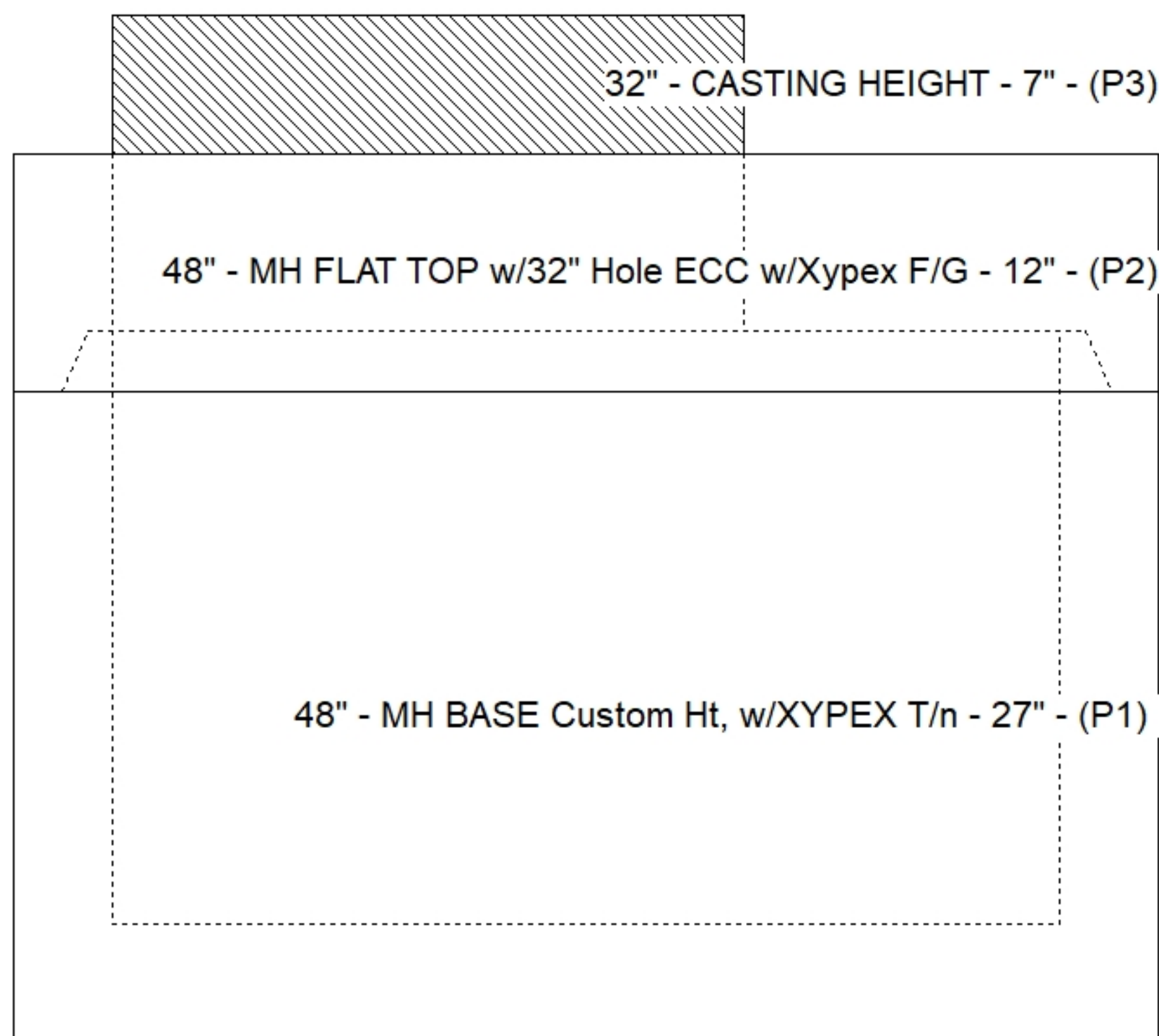
**STRUCTURE SUMMARY:**

P3) 32" - CASTING HEIGHT - 7"	0 lb
P2) 48" - MH FLAT TOP w/32" Hole ECC w/Xypex F/G - 12"	1851 lb
P1) 48" - MH BASE Custom Ht, w/XYPEX T/n - 27"	3169 lb
1) 48" - MH INVERT CHANNEL w/XYPEX - FULL HEIGHT	1440 lb
1) JOINT WRAP - 0.065"x6"x50' CONSEAL CS212	0 lb
1) JOINT WRAP PRIMER - CONSEAL CS-75 (1 gal.)	0 lb
1) ADMIXTURE CONBLOCK CDA RED	0 lb
1) 48" - DBL 1"x14.5' Butyl (2x)	0 lb
1) PSX - 12-08 NYLO	8 lb
<b>Structure Total:</b>	<b>6467 lb</b>



Position	Elev	Angle	Pipe	Pipe OD	Hole	Connector	Up ( )	Ref
Rim	613.93'							
Reducer								
Invert 1	610.25'	0°	8" PVC SDR35	8.5"	12"	PSX 12-08 NYLO	0"	P1
Invert 2								
Invert 3								
Invert 4								
Invert 5								
Invert 6								
Invert 7								
Invert 8								

**Cast (Int. Dim.) - Interior Dimensions**



Submittal Drawing  
 10/14/2025 3:20:35 PM

SUBMITTAL  
 APPROVED BY: