

Job Name: 25-2860 Grace Park Job Location: Nashville, TN Contractor: Elite Building Group Inc.	Plant: Beaver Dam 10/14/2025 3:21:14 PM	Tech: C.Russ PC: A.Chambers	
--	--	--------------------------------	--

Structure ID: 1A

P1 MH048BAVFX

MH BASE Custom Ht, w/YYPEX T/n

P3) 32" - CASTING HEIGHT - 7"	0 lb
P2) 48" - MH FLAT TOP w/32" Hole ECC w/Xypex F/G - 12"	1851 lb
P1) 48" - MH BASE Custom Ht, w/YYPEX T/n - 27"	3169 lb
1) 48" - MH INVERT CHANNEL w/YYPEX - FULL HEIGHT	1440 lb
1) JOINT WRAP - 0.065"x6"x50' CONSEAL CS212	0 lb
1) JOINT WRAP PRIMER - CONSEAL CS-75 (1 gal.)	0 lb
1) ADMIXTURE CONBLOCK CDA RED	0 lb
1) 48" - DBL 1"x14.5' Butyl (2x)	0 lb
1) PSX - 12-08 NYLO	8 lb
Structure Total:	6467 lb

Structure Notes:
 1. PER ASTM C913 SPECIFICATIONS.
 2. CONCRETE = 4,000 PSI AT 28 DAYS.
 3. NO INVERT CHANNEL.
 4. CASTING BY OTHERS

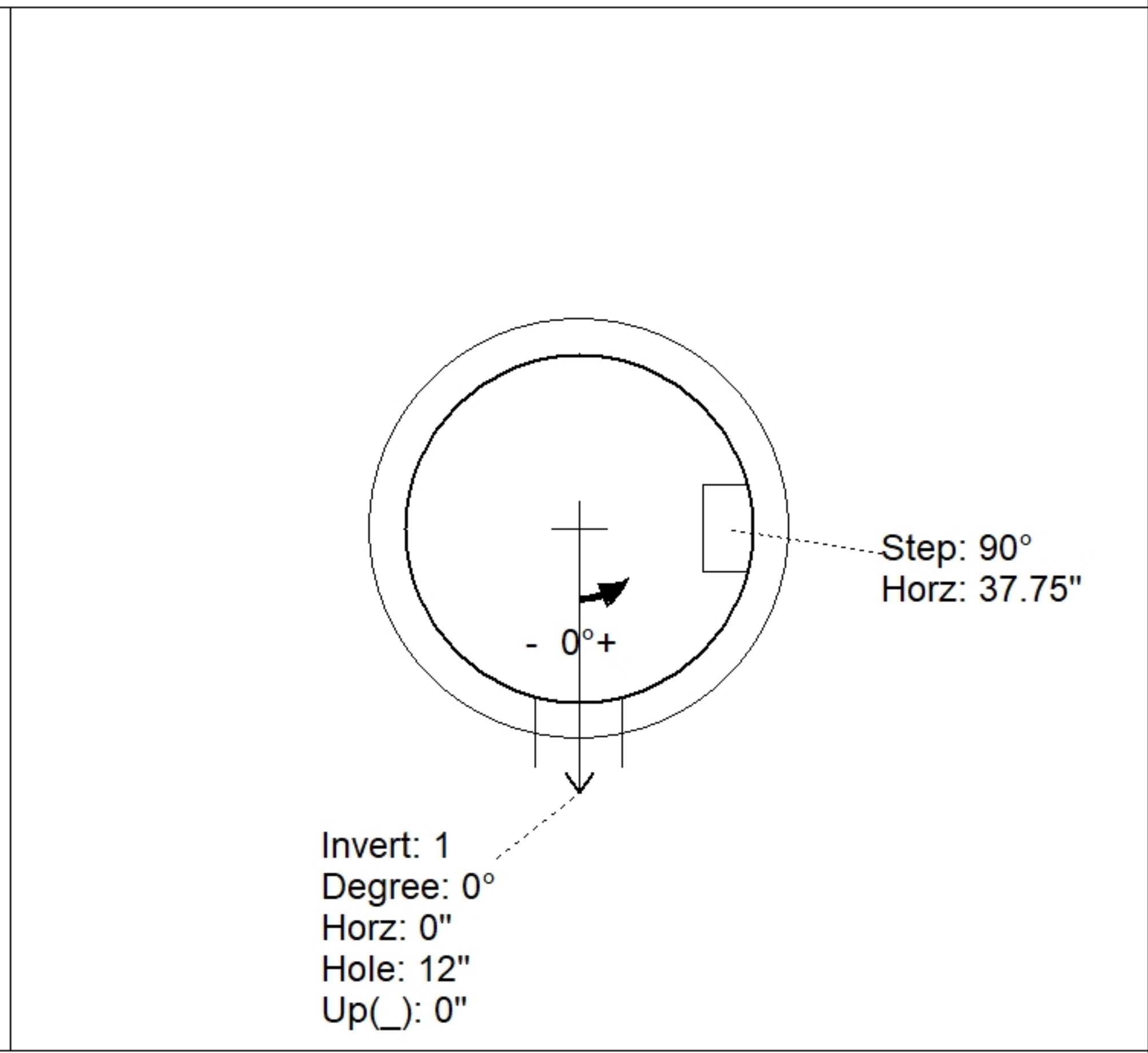
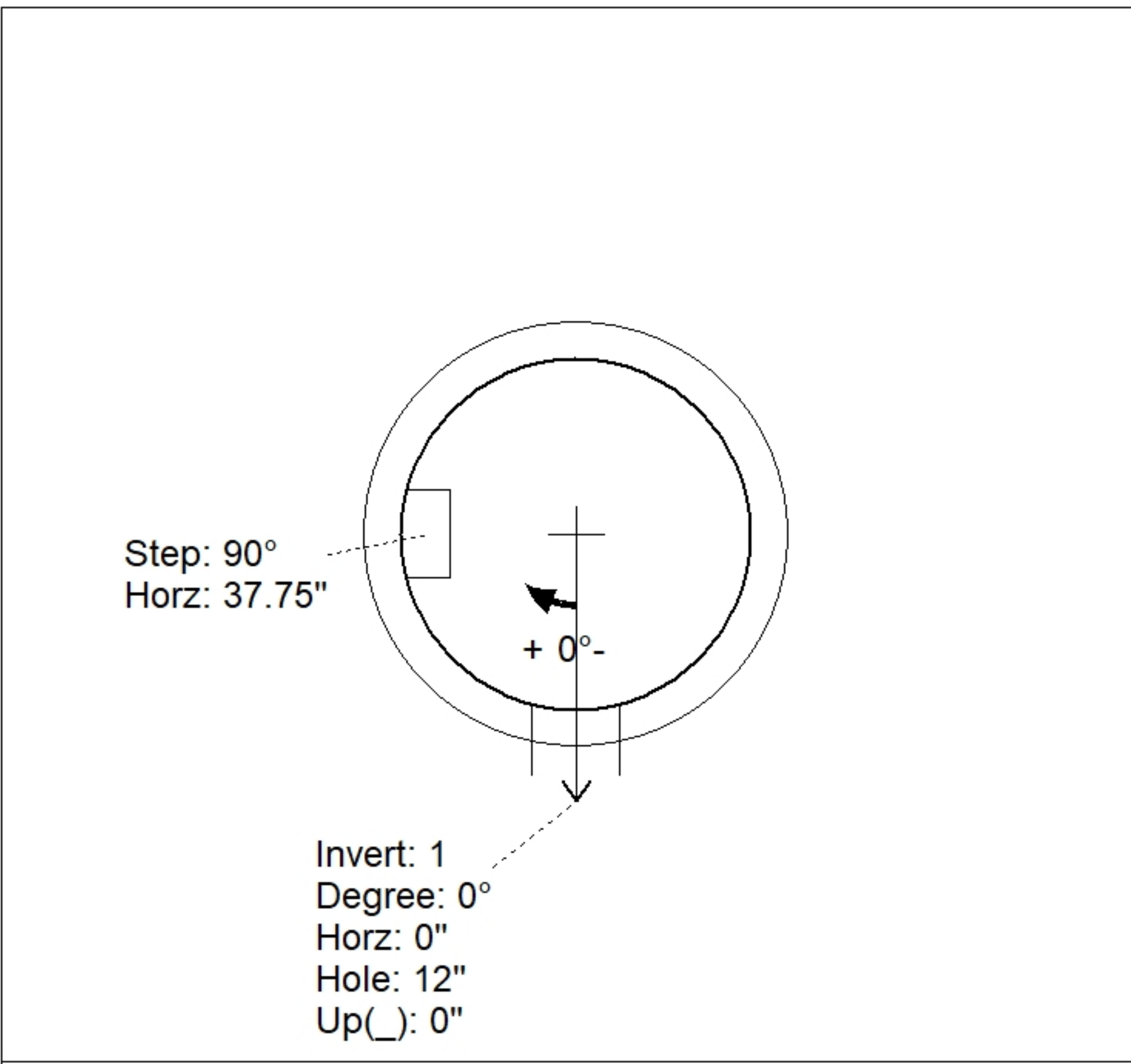
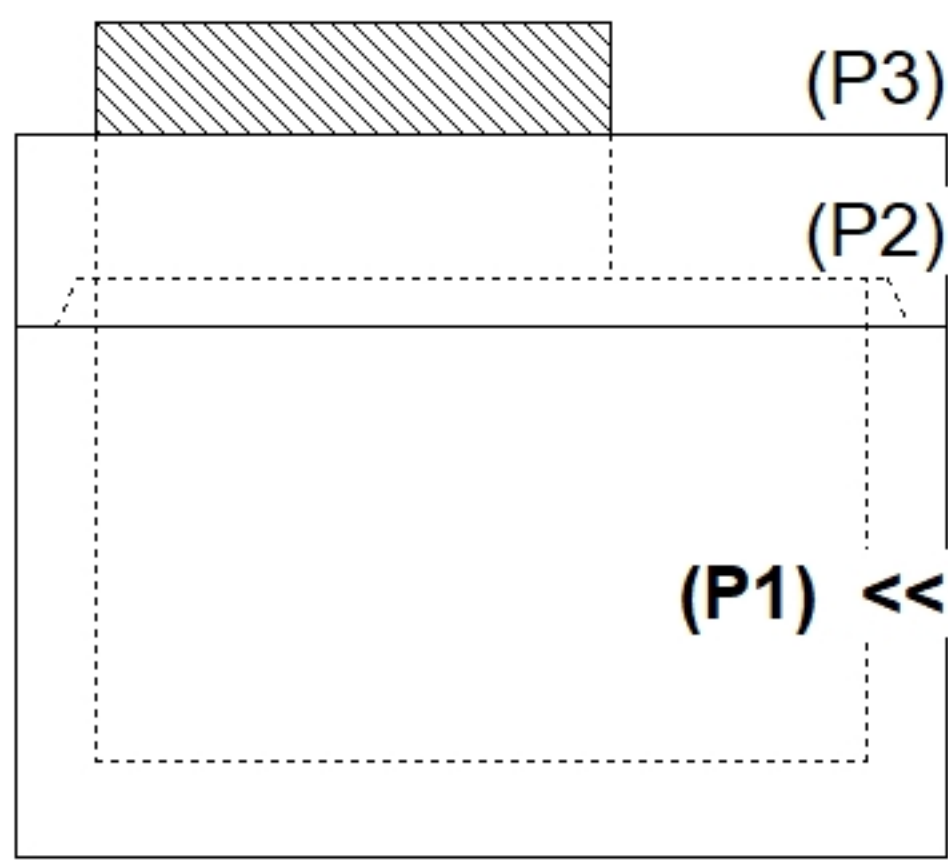
REINFORCING PER ASTM A615 (GRADE 60).
 - WALLS (As .31) #5 BARS AT 12" C.C.E.W.
 - FLOOR (As .31) #5 BARS AT 12" C.C.E.W.

Rim: 613.93' Rim to Invert: 3.68' Slack: 0.16" Sump: 2" Step Position: 90

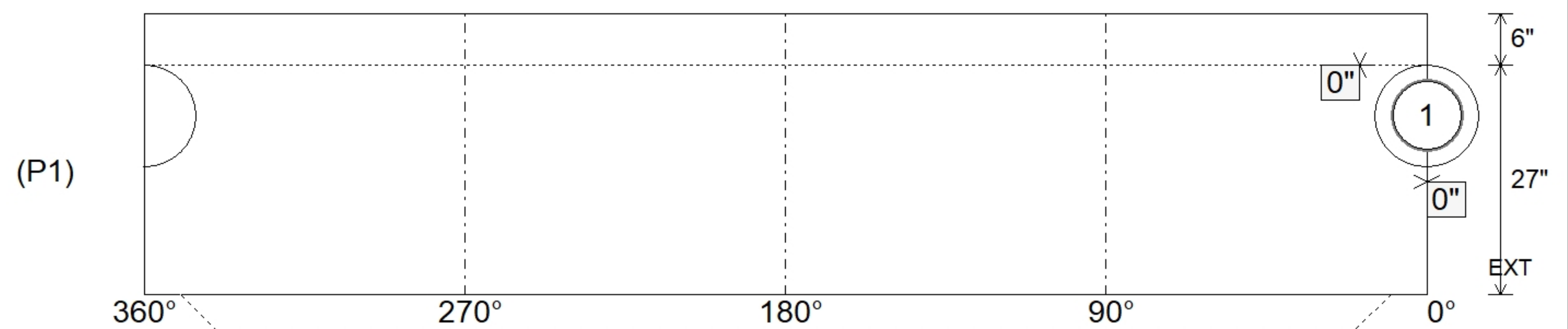
Position	Elev	Angle	Ext. (cw)	Pipe	Pipe OD	Connector	Hole	Horz Size	Up ()	Offset
Invert 1	610.25'	0°	0"	8" PVC SDR35	8.5"	PSX 12-08 NYLO	12"	12.129"	0"	0"
Invert 2										
Invert 3										
Invert 4										
Invert 5										
Invert 6										
Invert 7										
Invert 8										

RIGHT-SIDE UP VIEW (int. dimensions)

UPSIDE-DOWN VIEW (int. dimensions)



INSIDE WALL DIMENSIONS



Coating (Int): Coating (Ext):	Seam Up: Tongue Seam Dn: n/a	Wall Thickness: 5" Floor Height: 6"	Height (Int): 27" Height (Ext): 33"	Weight (Net): 3169 lb Volume (Net): 0.81cu.yd
----------------------------------	---------------------------------	--	--	--