

Job Name: 25-2860 Grace Park
 Job Location: Nashville, TN
 Contractor: Elite Building Group Inc.

Plant: Beaver Dam
 10/14/2025 3:22:03 PM

Tech: C.Russ
 PC: A.Chambers



Structure ID: 10

P2 MH048LD12-28SQ

MH FLAT TOP w/28"x28" Hole F/G

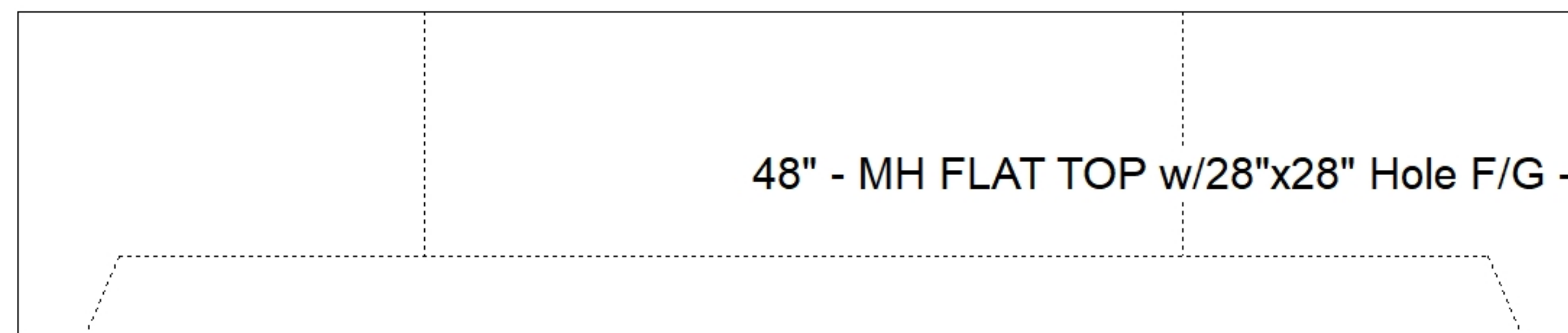
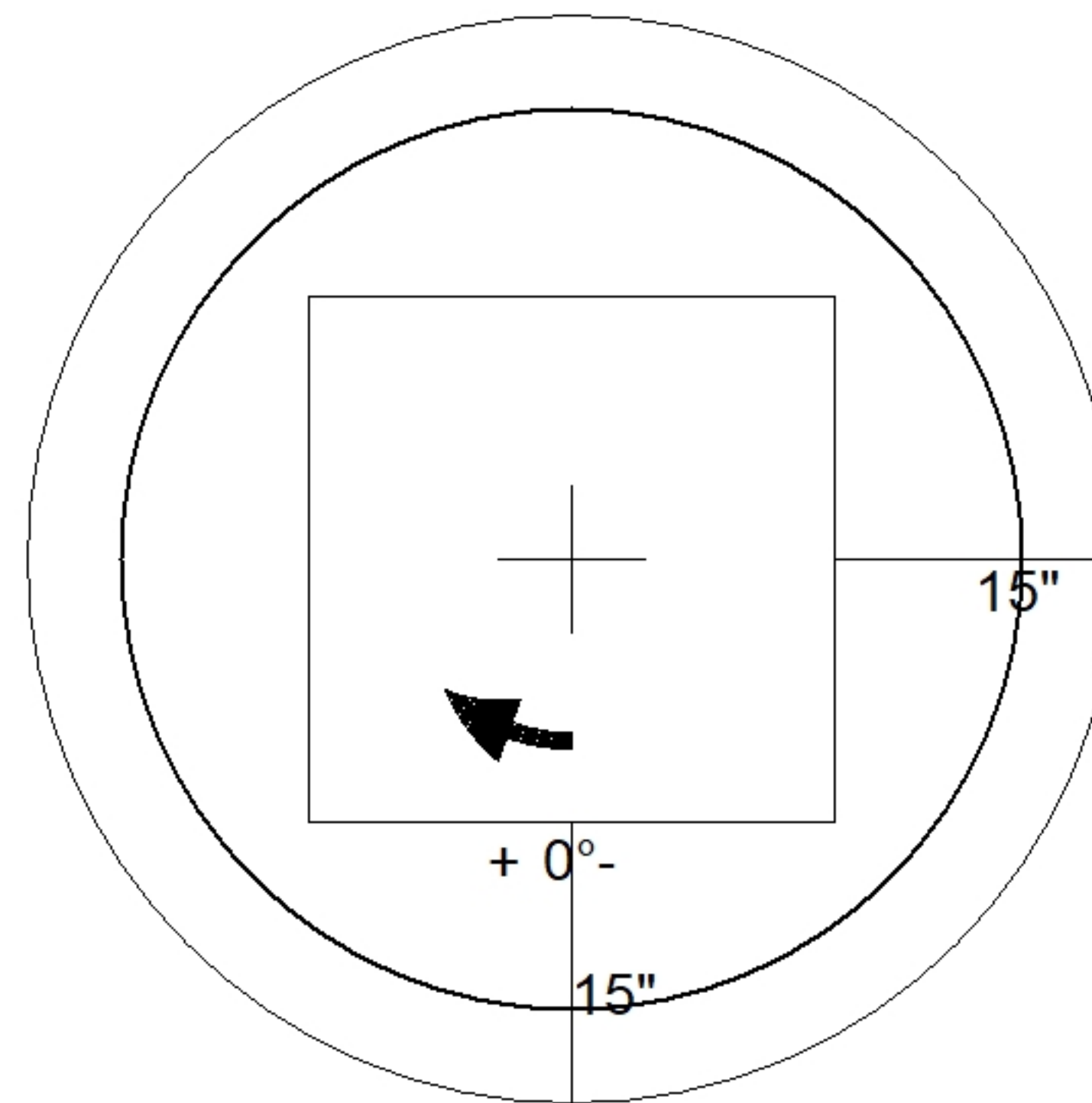
- P3) 28" x 28" - CASTING HEIGHT - 6"
- P2) 48" - MH FLAT TOP w/28"x28" Hole F/G - 12"
- P1) 48" - MH BASE T/n - 60"
- 1) 48" - SGL 1"x14.5' Butyl (2x)
- 2) Hole - 26
- 1) Hole - 22
- 5) MH Step ML-10-TDS-NCR - 10"

0 lb
 1368 lb
 4891 lb
 0 lb
 0 lb
 0 lb
 0 lb

 6259 lb

Structure Total:

- Structure Notes:
1. PER ASTM C478 SPECIFICATIONS.
 2. CONCRETE = 4,000 PSI AT 28 DAYS.
 3. NO INVERT CHANNEL.
 4. REINFORCING PER ASTM A615 (GRADE 60).
 5. CASTING BY OTHERS



Coating (Int):
 Coating (Ext):

Seam Up: Flat
 Seam Dn: Groove

Wall Thickness: 5"

Height (Ext): 12"

Weight (Net): 1368 lb
 Volume (Net): 0.35cu.yd