

**Structure ID: 10**

**P1 MH048BA60**

**MH BASE T/n**

P3) 28" x 28" - CASTING HEIGHT - 6" P2) 48" - MH FLAT TOP w/28"x28" Hole F/G - 12" P1) 48" - MH BASE T/n - 60" 1) 48" - SGL 1"x14.5' Butyl (2x) 2) Hole - 26 1) Hole - 22 5) MH Step ML-10-TDS-NCR - 10"	0 lb 1368 lb 4891 lb 0 lb 0 lb 0 lb 0 lb ----- 6259 lb	<b>Structure Notes:</b> 1. PER ASTM C478 SPECIFICATIONS. 2. CONCRETE = 4,000 PSI AT 28 DAYS. 3. NO INVERT CHANNEL. 4. REINFORCING PER ASTM A615 (GRADE 60). 5. CASTING BY OTHERS
--	--	---

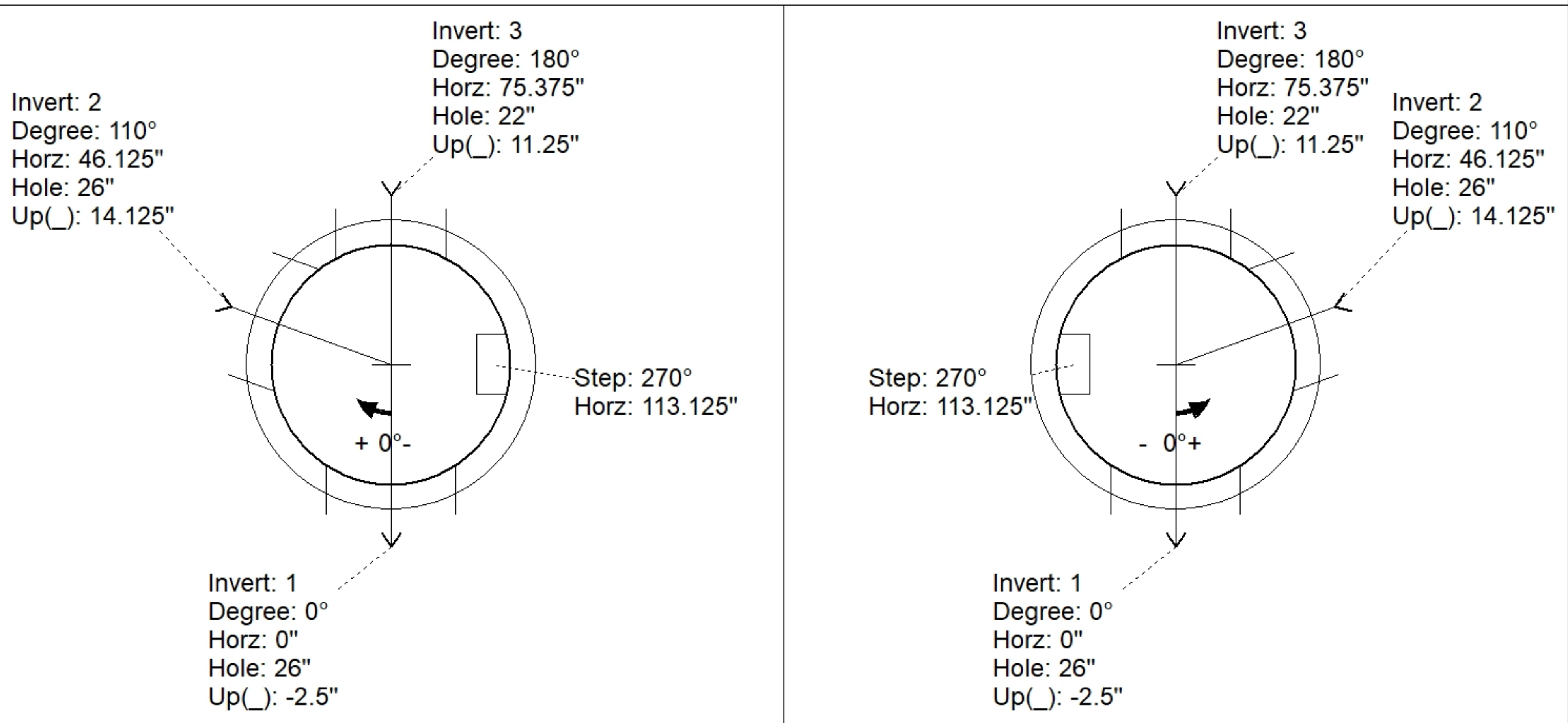
Structure Total: 6259 lb

Rim: 572.75'    Rim to Invert: 6.6'    Slack: 1.2"    Sump: 0"    Step Position: 270°

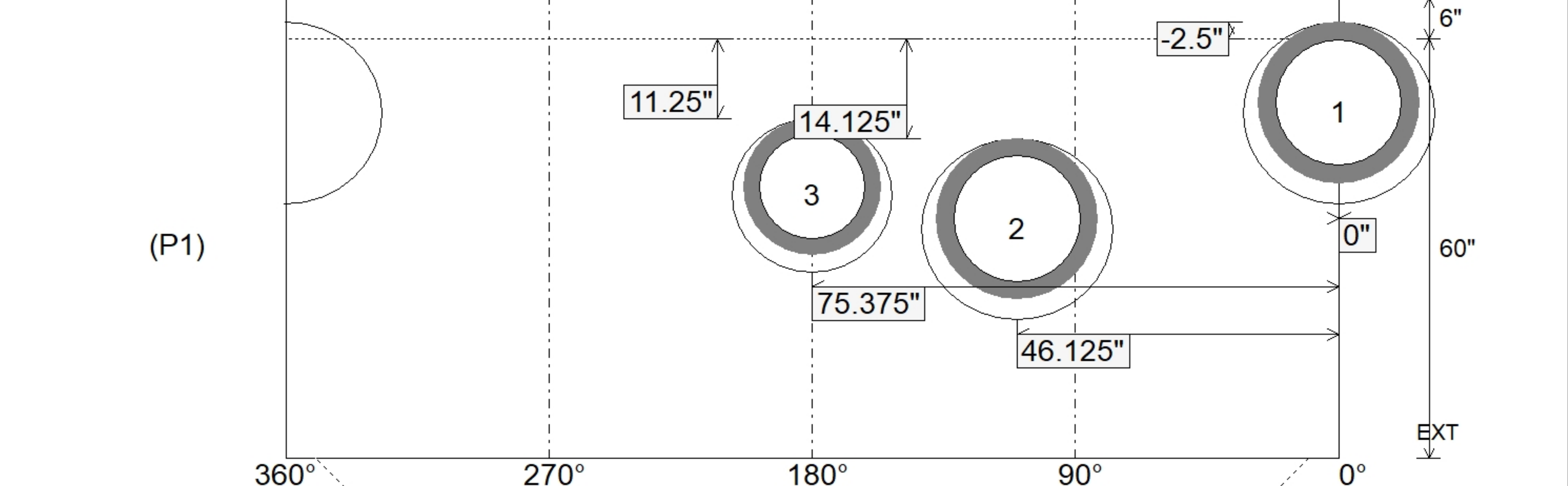
Position	Elev	Angle	Ext. (cw)	Pipe	Pipe OD	Connector	Hole	Horz Size	Up ( )	Offset
Invert 1	566.15'	0°	0"	18" RCP B WALL	23"	Hole 26	26"	27.476"	-2.5"	0"
Invert 2	567.54'	110°	55.625"	18" RCP B WALL	23"	Hole 26	26"	27.476"	14.125"	0"
Invert 3	567.28'	180°	91.125"	15" RCP B WALL	19.5"	Hole 22	22"	22.854"	11.25"	0"
Invert 4										
Invert 5										
Invert 6										
Invert 7										
Invert 8										

**RIGHT-SIDE UP VIEW (int. dimensions)**

**UPSIDE-DOWN VIEW (int. dimensions)**



**INSIDE WALL DIMENSIONS**



Coating (Int): Coating (Ext):	Seam Up: Tongue Seam Dn: n/a	Wall Thickness: 5" Floor Height: 6"	Height (Int): 60" Height (Ext): 66"	Weight (Net): 4891 lb Volume (Net): 1.25cu.yd
----------------------------------	---------------------------------	--	--	--