

Job Name: 25-2821 HWY 111 Water Transmission Main	Plant: 100	Tech: J. Horsley - A	
Job Location: Spencer, TN Contractor: Twin States Utilities, Inc.	1/26/2026 8:32:13 AM	PC: Erica Bradley	

Structure ID: ARV3

P2 MH048DHR560

MH DH RISER T/F

P5) 24" - CASTING HEIGHT - 0"	0 lb
P4) 48" - MH FLAT TOP SPECIAL (MCS-288) F/G - 12"	1575 lb
P3) 48" - MH RISER T/G - 36"	2515 lb
P2) 48" - MH DH RISER T/F - 60"	3778 lb
P1) 48" - P.I.P. BY OTHERS - BTM SLAB F/n - 0"	0 lb
1) CASTING - HOE MCS-288 F/C Water CAST-IN	123 lb
1) This Structure Includes a Cast-in Item - HOE MCS-288 Frame	0 lb
3) 48" - Conseal CS-102 1.00" (Double)	0 lb
2) DOGHOUSE - 16"x32"	0 lb
8) MH Step ML-10-TDS-NCR - 10"	0 lb
Structure Total:	7991 lb

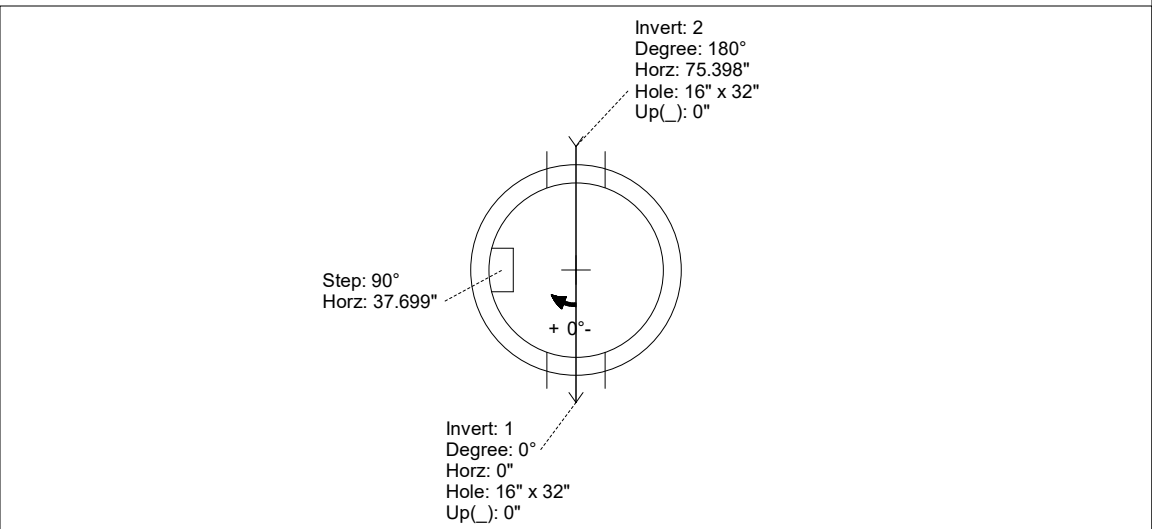
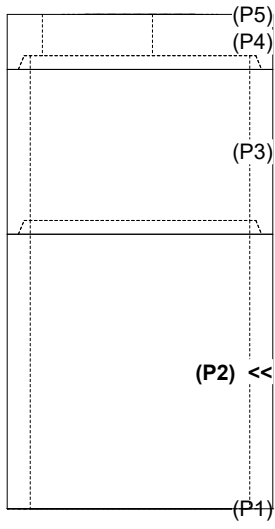
Structure Notes:

- PER ASTM C-478 SPECIFICATIONS
- CONCRETE: 4,000 PSI AT 28 DAYS
- REINFORCEMENT: PER ASTM A615
- STEPS AT 90 DEGREES
- HOE MCS-288 FRAME & COVER "WATER" SUPPLIED BY ICAST - FRAME TO BE CAST INTO FLAT LID FLANGE SIDE UP

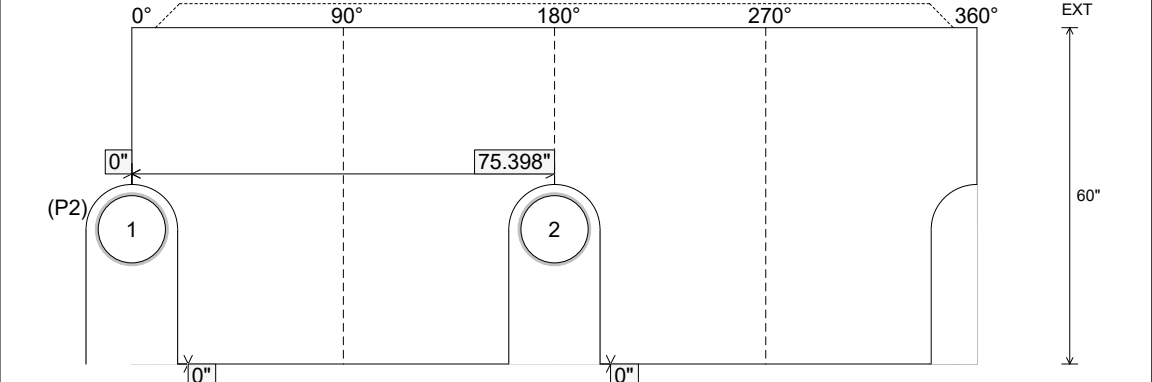
Rim: 7.5' Rim to Invert: 7.5' Slack: 0" Sump: 18" Step Position: 0°

Position	Elev	Angle	Ext. (cw)	Pipe	Pipe OD	Connector	Hole	Horz Size	Up (↓)	Offset
Invert 1	0'	0°	0"	12" DI	13"	DOGHOUSE 16"x32"	16" x 32"	16.312"	0"	0"
Invert 2	0'	180°	91.106"	12" DI	13"	DOGHOUSE 16"x32"	16" x 32"	16.312"	0"	0"
Invert 3										
Invert 4										
Invert 5										
Invert 6										
Invert 7										
Invert 8										

RIGHT-SIDE UP VIEW (int. dimensions)



INSIDE WALL DIMENSIONS



Coating (Int): Coating (Ext):	Seam Up: Tongue Seam Dn: Flat	Wall Thickness: 5" Floor Height: 0"	Height (Int): 60" Height (Ext): 60"	Weight (Net): 3778 lb Volume (Net): 0.96cu.yd
----------------------------------	----------------------------------	--	--	--