

Job Name: 25-2821 HWY 111 Water Transmission Main
 Job Location: Spencer, TN
 Contractor: Twin States Utilities, Inc.

Plant: 100

Tech: J. Horsley - A

1/26/2026 8:32:12 AM

PC: Erica Bradley



Structure ID: ARV1

P2 MH048DHR572

MH DH RISER T/F

- P4) 24" - CASTING HEIGHT - 0"
- P3) 48" - MH FLAT TOP SPECIAL (MCS-288) F/G - 12"
- P2) 48" - MH DH RISER T/F - 72"
- P1) 48" - P.I.P. BY OTHERS - BTM SLAB F/n - 0"
- 1) CASTING - HOE MCS-288 F/C CAST-IN
- 1) This Structure Includes a Cast-in Item - HOE MCS-288 Frame
- 2) 48" - Conseal CS-102 1.00" (Double)
- 2) DOGHOUSE - 16"x32"
- 6) MH Step ML-10-TDS-NCR - 10"

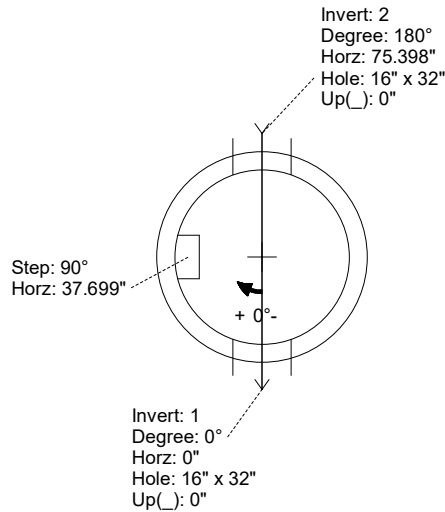
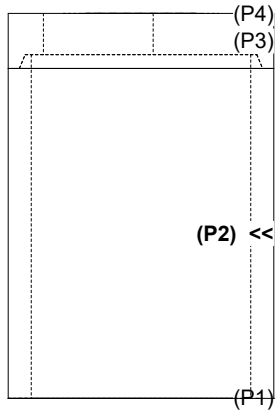
0 lb
 1575 lb
 4617 lb
 0 lb
 123 lb
 0 lb
 0 lb
 0 lb
 0 lb
 0 lb
 Structure Total: 6315 lb

- Structure Notes:**
1. PER ASTM C-478 SPECIFICATIONS
 2. CONCRETE: 4,000 PSI AT 28 DAYS
 3. REINFORCEMENT: PER ASTM A615
 4. STEPS AT 90 DEGREES
 5. HOE MCS-288 FRAME & COVER "WATER" SUPPLIED BY ICAST - FRAME TO BE CAST INTO FLAT LID FLANGE SIDE UP

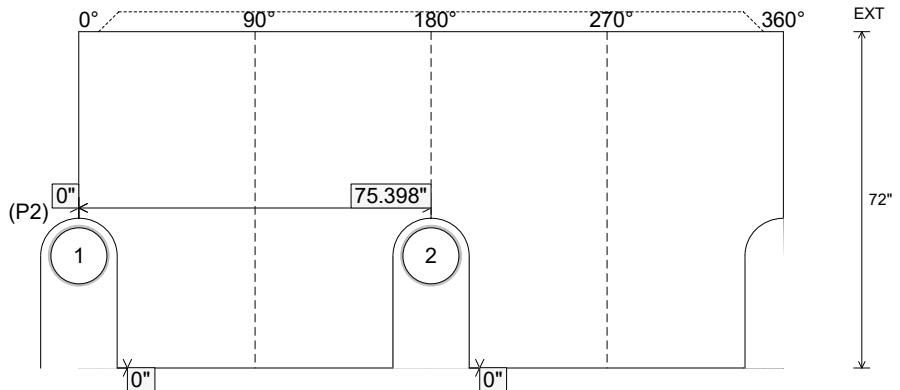
Rim: 5.5' Rim to Invert: 5.5' Slack: 0" Sump: 18" Step Position: 0°

Position	Elev	Angle	Ext. (cw)	Pipe	Pipe OD	Connector	Hole	Horz Size	Up ()	Offset
Invert 1	0'	0°	0"	12" DI	13"	DOGHOUSE 16"x32"	16" x 32"	16.312"	0"	0"
Invert 2	0'	180°	91.106"	12" DI	13"	DOGHOUSE 16"x32"	16" x 32"	16.312"	0"	0"
Invert 3										
Invert 4										
Invert 5										
Invert 6										
Invert 7										
Invert 8										

RIGHT-SIDE UP VIEW (int. dimensions)



INSIDE WALL DIMENSIONS



Coating (Int):
 Coating (Ext):

Seam Up: Tongue
 Seam Dn: Flat

Wall Thickness: 5"
 Floor Height: 0"

Height (Int): 72"
 Height (Ext): 72"

Weight (Net): 4617 lb
 Volume (Net): 1.18cu.yd