

Structure ID: YD-D8

P1 BX2424-08BAVF

BOX BASE 8inW, 8inF, Variable Ht F/n

P2) 24" x 24" - CASTING HEIGHT - 4" P1) 24" x 24" - BOX BASE 8inW, 8inF, Variable Ht F/n - 21" 1) CASTING - HOE 280T F/G 1) 24" x 24" - Conseal CS-102 1.00" 1) Hole - 16 1) Hole - 12	0 lb 2659 lb 182 lb 0 lb 0 lb 0 lb ----- Structure Total: 2841 lb
---	--

Structure Notes:

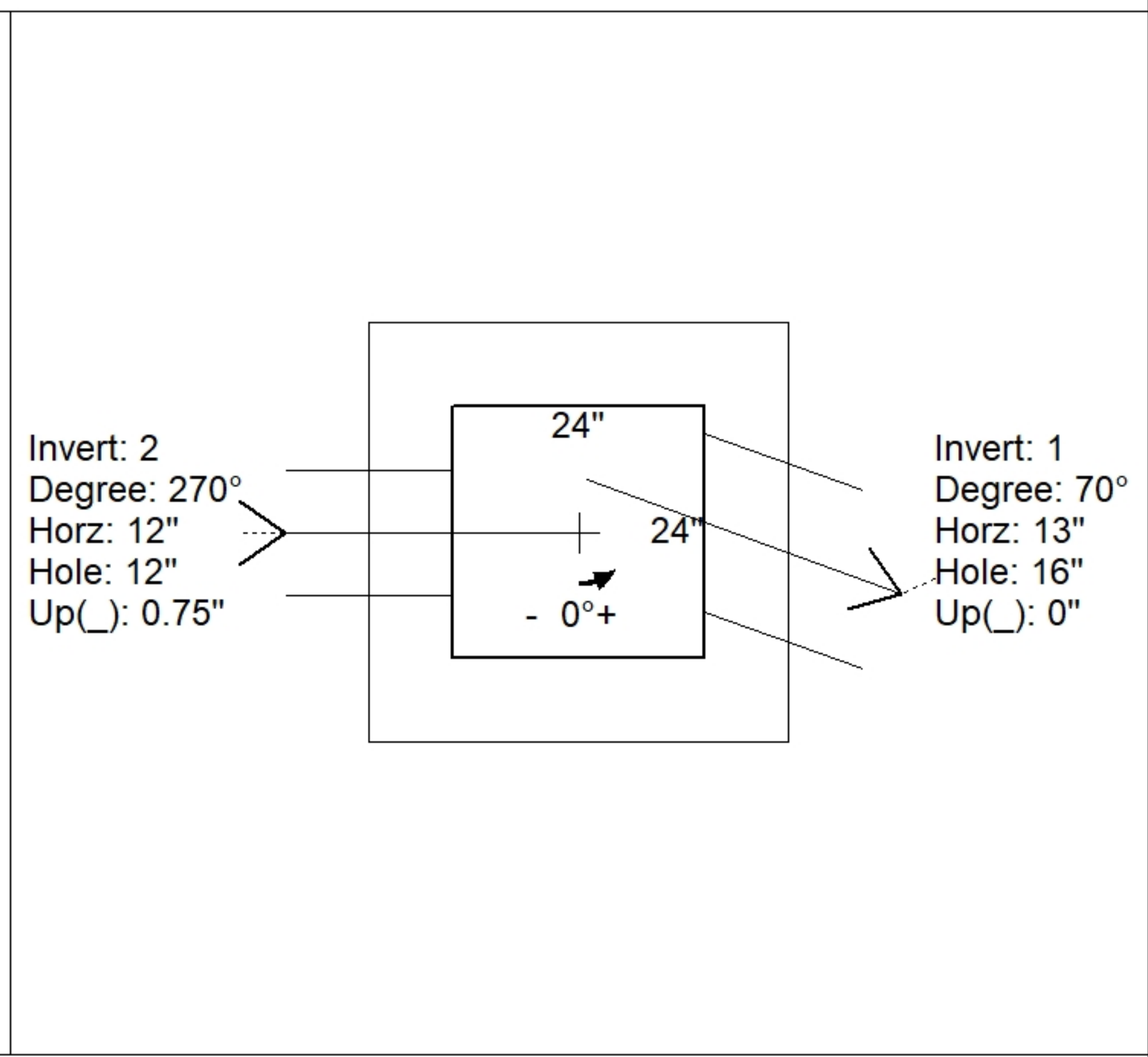
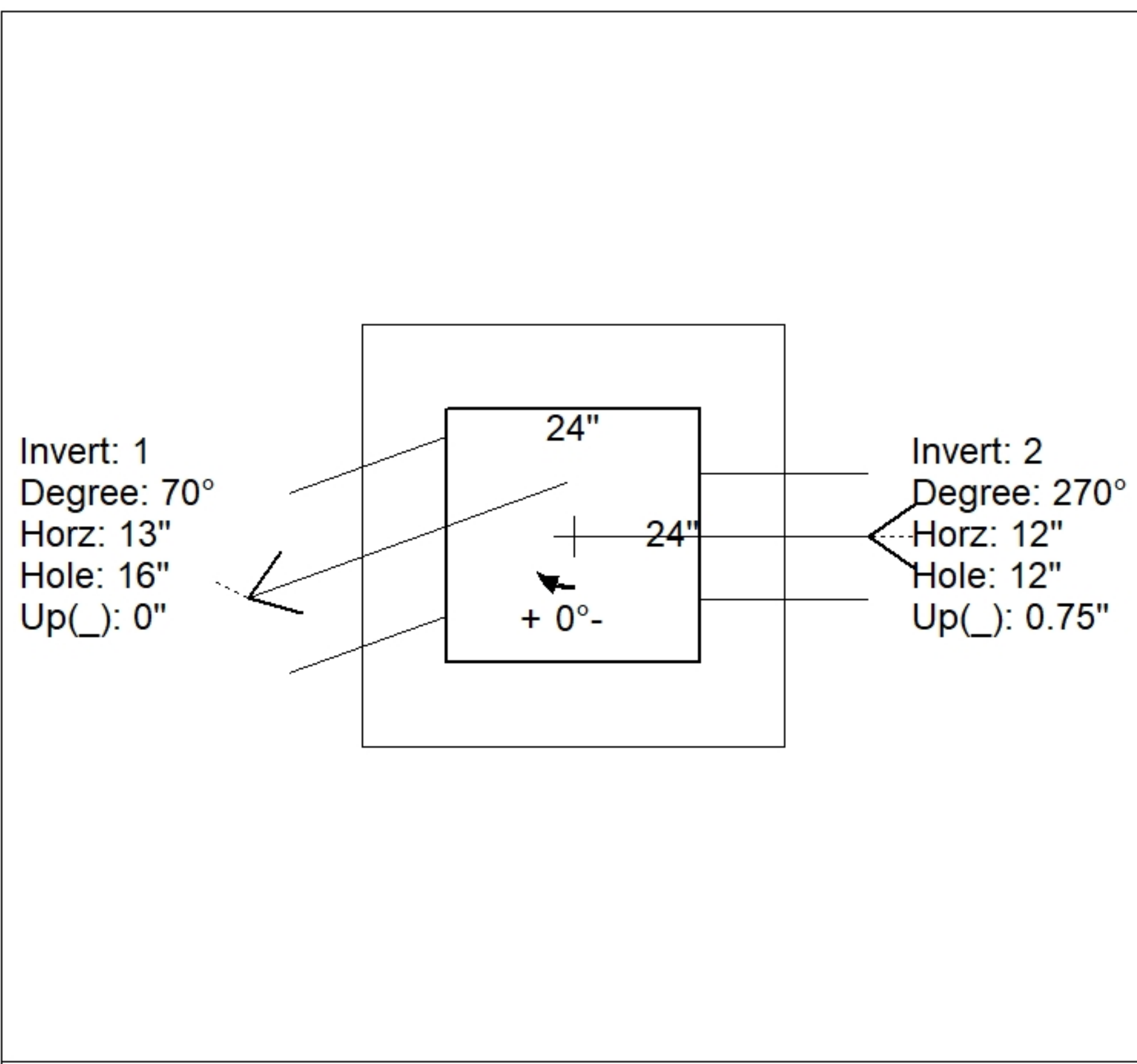
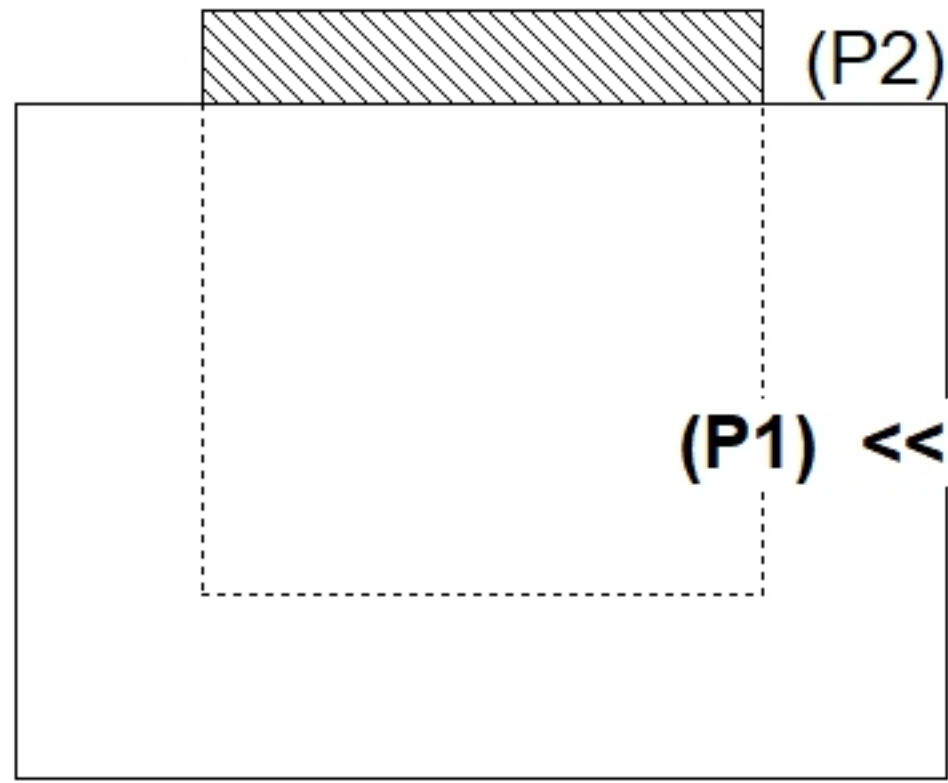
1. HOE 280T F/G PROVIDED BY ICAST.
2. PER ASTM C913 SPECIFICATIONS.
3. CONCRETE = 4,000 PSI AT 28 DAYS.
4. NO INVERT CHANNEL.
5. REINFORCING PER ASTM A615 (GRADE 60).
 - WALLS (As .31) #5 BARS AT 12" C.C.E.W.
 - FLOOR (As .31) #5 BARS AT 12" C.C.E.W.

Rim: 537.95' Rim to Invert: 2' Slack: 0.25" Sump: 1.25" Step Position:

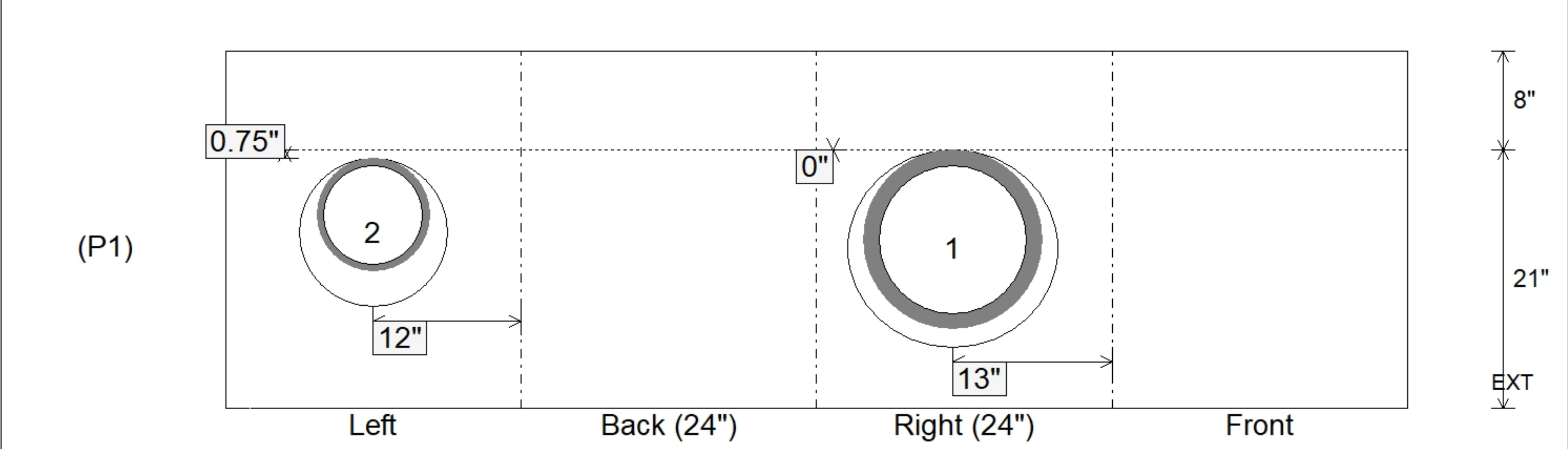
Position	Elev	Angle	Ext. (cw)	Pipe	Pipe OD	Connector	Hole	Horz Size	Up ()	Offset
Invert 1	535.95'	70°	18"	12" HDPE	14.5"	Hole 16	16"	17.027"	0"	5"
Invert 2	535.95'	270°	20"	8" HDPE	9.1"	Hole 12	12"	12"	0.75"	0"
Invert 3										
Invert 4										
Invert 5										
Invert 6										
Invert 7										
Invert 8										

RIGHT-SIDE UP VIEW (int. dimensions)

UPSIDE-DOWN VIEW (int. dimensions)



INSIDE WALL DIMENSIONS



Coating (Int): Coating (Ext):	Seam Up: Flat Seam Dn: n/a	Wall Thickness: 8" Floor Height: 8"	Height (Int): 21" Height (Ext): 29"	Weight (Net): 2659 lb Volume (Net): 0.68cu.yd
----------------------------------	-------------------------------	--	--	--