

Job Name: 25-2801 St. Joseph's Children's Home Improvements
Job Location: Louisville, KY
Contractor: E-Z Construction Co. Inc.

PC: Jay Ross Jarvis
 TECH: J. Horsley - A
 Plant: 100



Structure ID: **JB-532.64**
 Spec: Storm
 Type: Junction Box
 Size: 48"

Rim: 535.4'
 Invert: 532.64'
 Rim to Invert: 2.76'

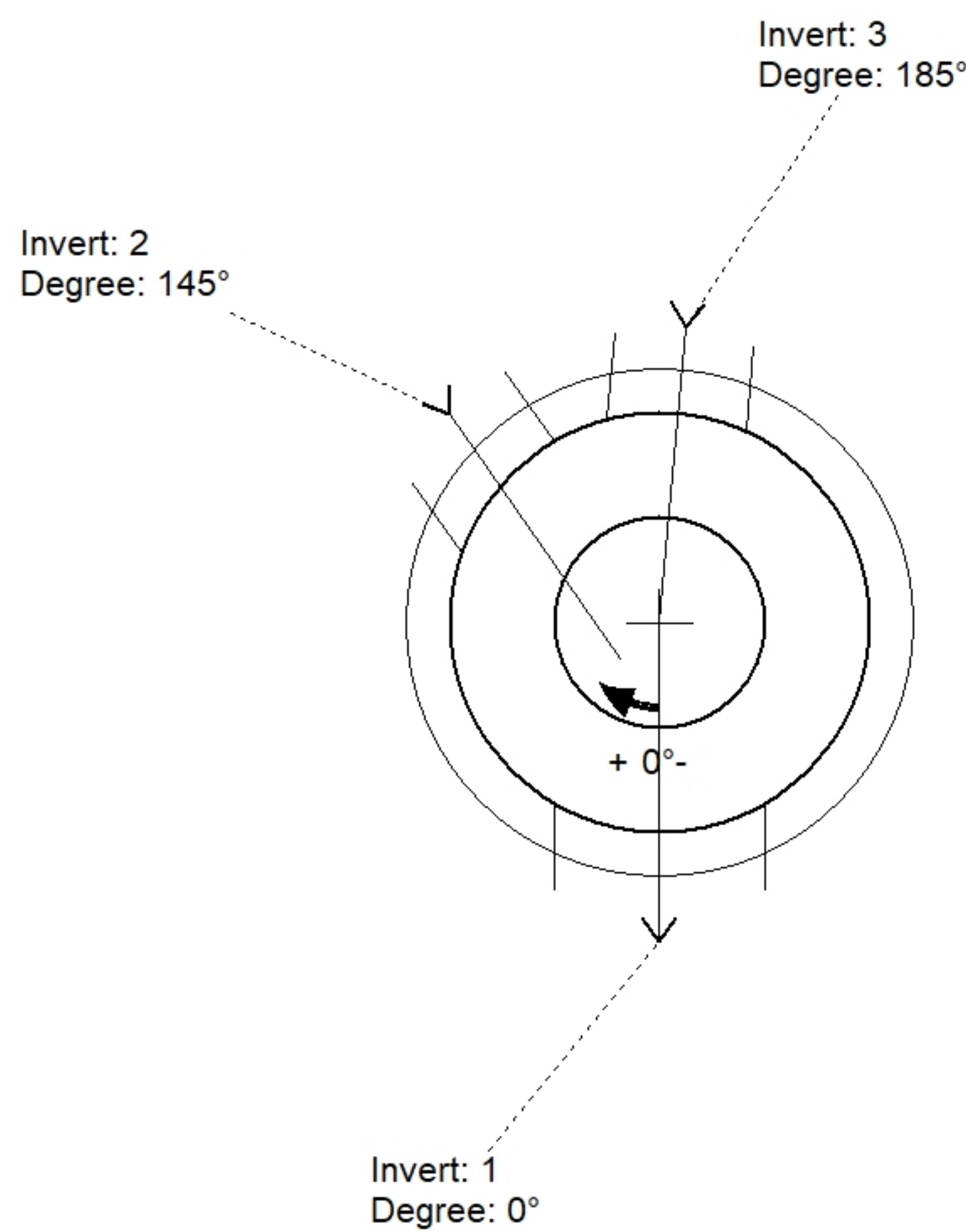
Sump: 1.6"
 Floor (Top): 532.507'
 Floor Height: 6"

Floor (Bot): 532.007'
 Overall Height: 3.417'
 Slack: -0.28"

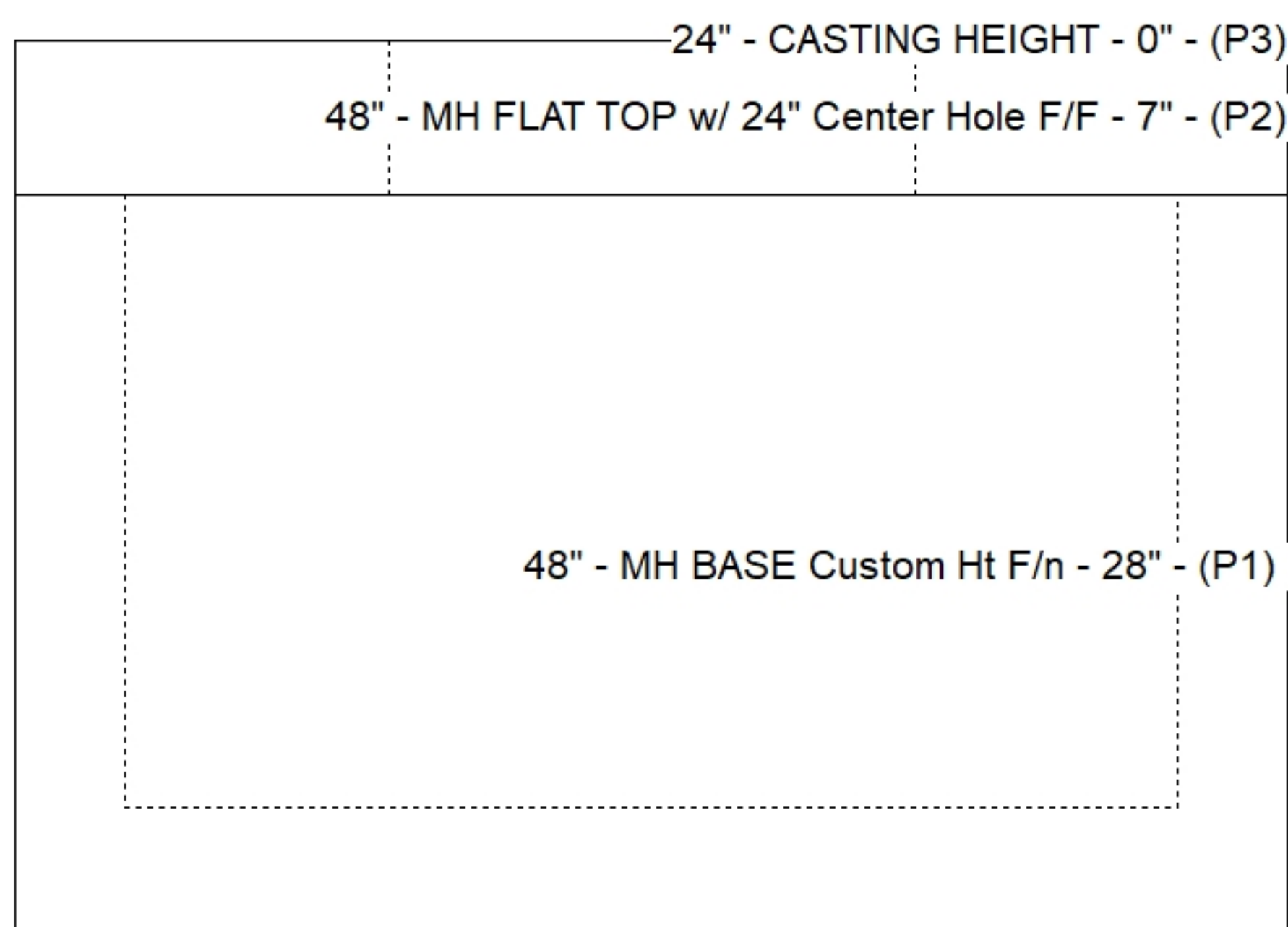
- Structure Notes:**
1. HOE MCS-295 FRAME PROVIDED BY ICAST.
 2. MCS-295 FRAME TO BE CAST INTO THE TOP SLAB.
 3. PER ASTM C478 SPECIFICATIONS.
 4. CONCRETE = 4,000 PSI AT 28 DAYS.
 5. REINFORCING PER ASTM A615 (GRADE 60).
 - TOP SLAB (As .62) #5 BARS AT 6" C.C.E.W..
 - RISER/WALLS (As .12)
 - FLOOR (As .31) #5 BARS AT 12" C.C.E.W.

STRUCTURE SUMMARY:

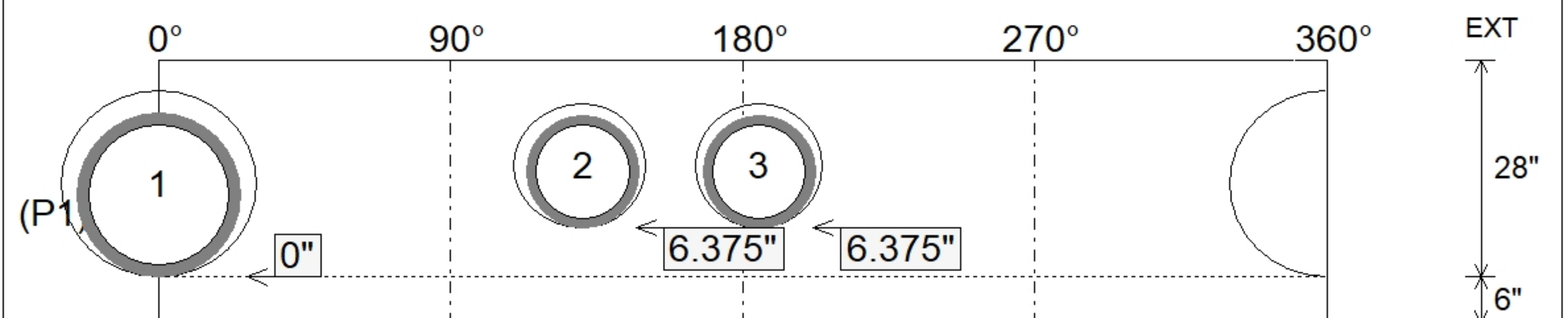
P3) 24" - CASTING HEIGHT - 0"	0 lb
P2) 48" - MH FLAT TOP w/ 24" Center Hole F/F - 7"	1700 lb
P1) 48" - MH BASE Custom Ht F/n - 28"	2915 lb
1) CASTING - HOE MCS-295 Frame	123 lb
1) CASTING - HOE MC-420 Cover Storm LOU-MSD	340 lb
1) 48" - Conseal CS-102 1.00"	0 lb
1) Hole - 24	0 lb
2) Hole - 16	0 lb
Structure Total:	5078 lb



Position	Elev	Angle	Pipe	Pipe OD	Hole	Connector	Up ()	Ref
Rim	535.4'							
Reducer								
Invert 1	532.64'	0°	18" HDPE	21.2"	24"	Hole 24	0"	P1
Invert 2	533.14'	145°	12" HDPE	14.5"	16"	Hole 16	6.375"	P1
Invert 3	533.14'	185°	12" HDPE	14.5"	16"	Hole 16	6.375"	P1
Invert 4								
Invert 5								
Invert 6								
Invert 7								
Invert 8								



Cast (Int. Dim.) - Interior Dimensions



Submittal Drawing
 11/25/2025 2:28:15 PM

SUBMITTAL
 APPROVED BY: