

**Structure ID: INLET-D12**

**P1 BX2424-08BAVF**

**BOX BASE 8inW, 8inF, Variable Ht F/n**

P2) 24" x 24" - CASTING HEIGHT - 4" P1) 24" x 24" - BOX BASE 8inW, 8inF, Variable Ht F/n - 26" 1) CASTING - HOE 280T F/G 1) 24" x 24" - Conseal CS-102 1.00" 2) Hole - 16	0 lb 3017 lb 182 lb 0 lb 0 lb ----- Structure Total: 3199 lb
---	--

**Structure Notes:**

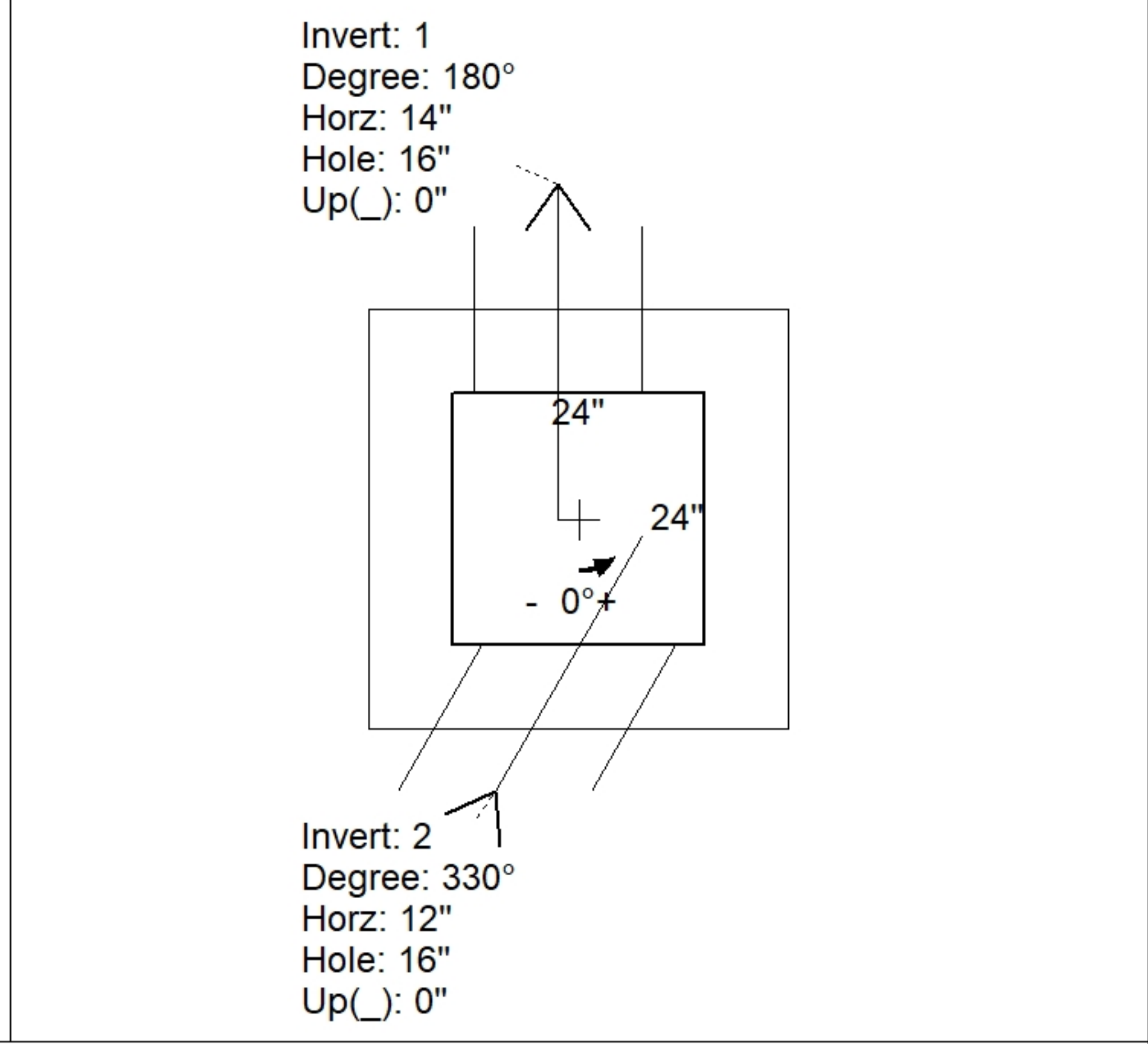
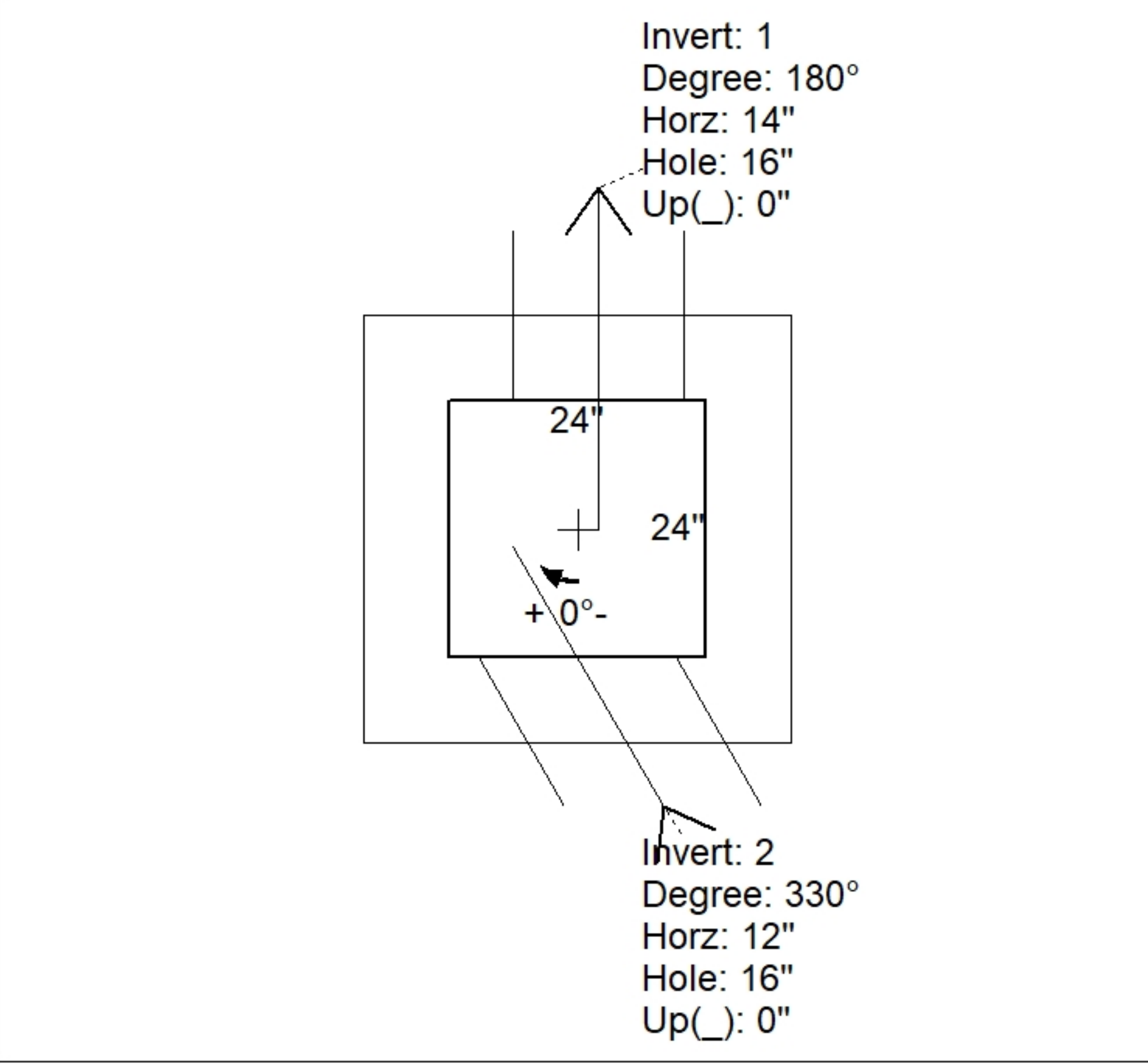
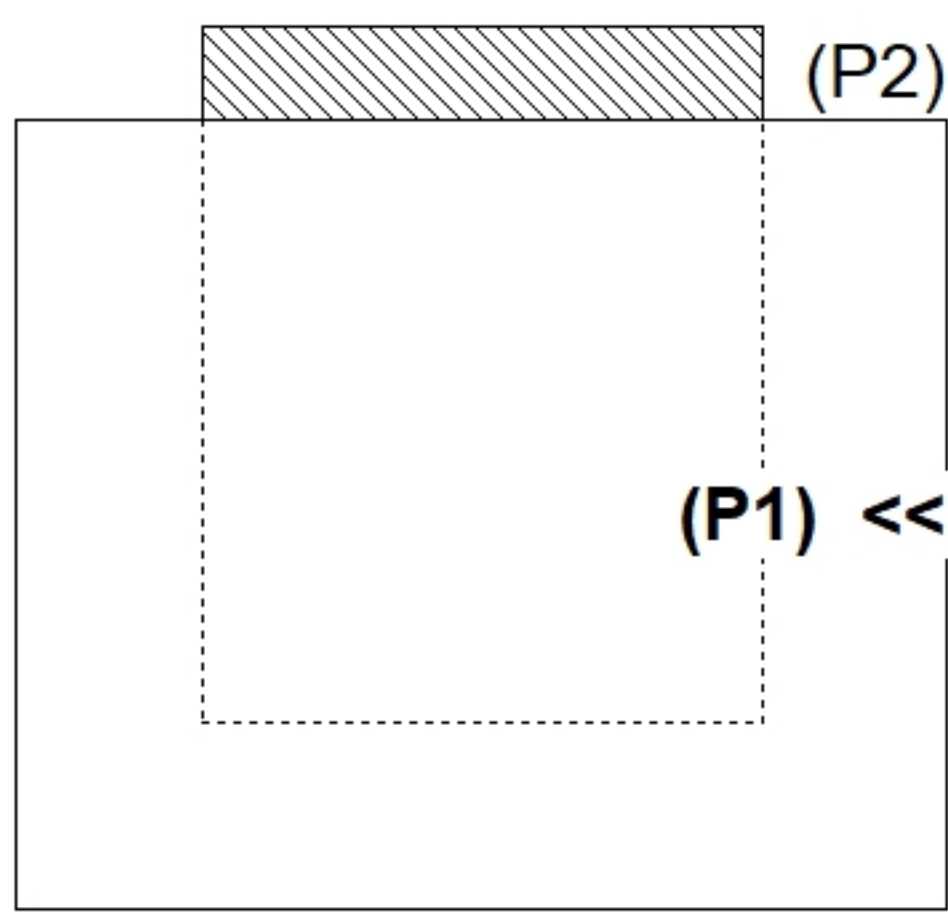
1. HOE 280T F/G PROVIDED BY ICAST.
2. PER ASTM C913 SPECIFICATIONS.
3. CONCRETE = 4,000 PSI AT 28 DAYS.
4. NO INVERT CHANNEL.
5. REINFORCING PER ASTM A615 (GRADE 60).  
 - WALLS (As .31) #5 BARS AT 12" C.C.E.W.  
 - FLOOR (As .31) #5 BARS AT 12" C.C.E.W.

Rim: 545.32'    Rim to Invert: 2.47'    Slack: 0.89"    Sump: 1.25"    Step Position:

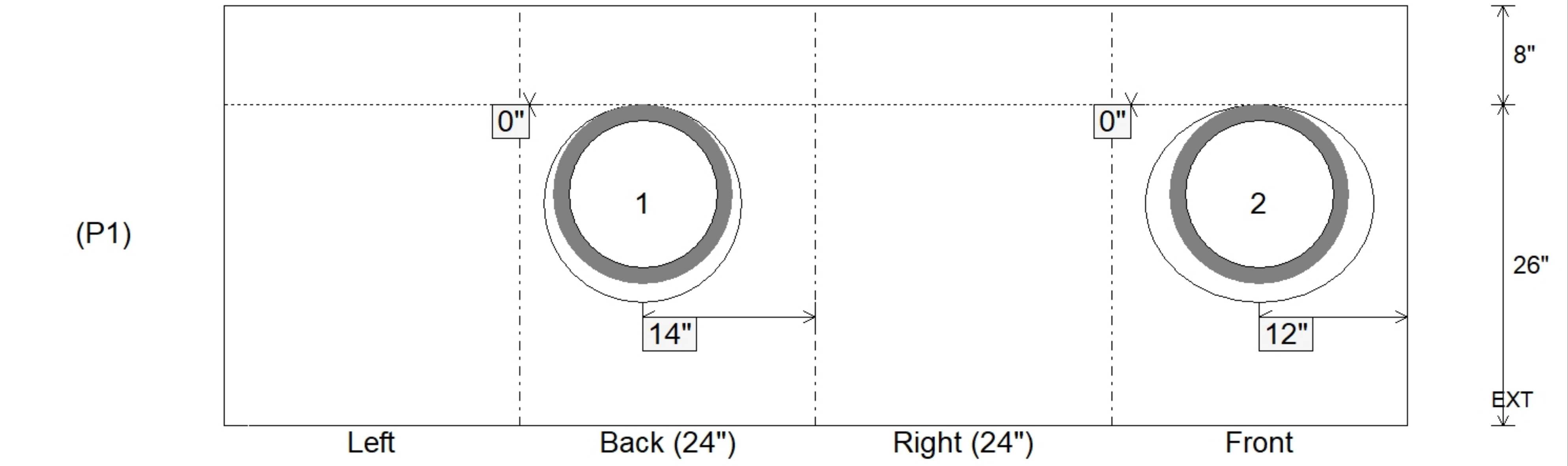
Position	Elev	Angle	Ext. (cw)	Pipe	Pipe OD	Connector	Hole	Horz Size	Up ( )	Offset
Invert 1	542.85'	180°	22"	12" HDPE	14.5"	Hole 16	16"	16"	0"	2"
Invert 2	542.85'	330°	15.375"	12" HDPE	14.5"	Hole 16	16"	18.475"	0"	6"
Invert 3										
Invert 4										
Invert 5										
Invert 6										
Invert 7										
Invert 8										

**RIGHT-SIDE UP VIEW (int. dimensions)**

**UPSIDE-DOWN VIEW (int. dimensions)**



**INSIDE WALL DIMENSIONS**



Coating (Int): Coating (Ext):	Seam Up: Flat Seam Dn: n/a	Wall Thickness: 8" Floor Height: 8"	Height (Int): 26" Height (Ext): 34"	Weight (Net): 3017 lb Volume (Net): 0.77cu.yd
----------------------------------	-------------------------------	--	--	--