

Job Name: 25-2801 St. Joseph's Children's Home Improvements
Job Location: Louisville, KY
Contractor: E-Z Construction Co. Inc.

PC: Jay Ross Jarvis
 TECH: J. Horsley - A
 Plant: 100



Structure ID: **CI-D7**
 Spec: Storm
 Type: STM.MH
 Size: 48"

Rim: 539.42'
 Invert: 535.58'
 Rim to Invert: 3.84'

Sump: 1.25"
 Floor (Top): 535.476'
 Floor Height: 6"

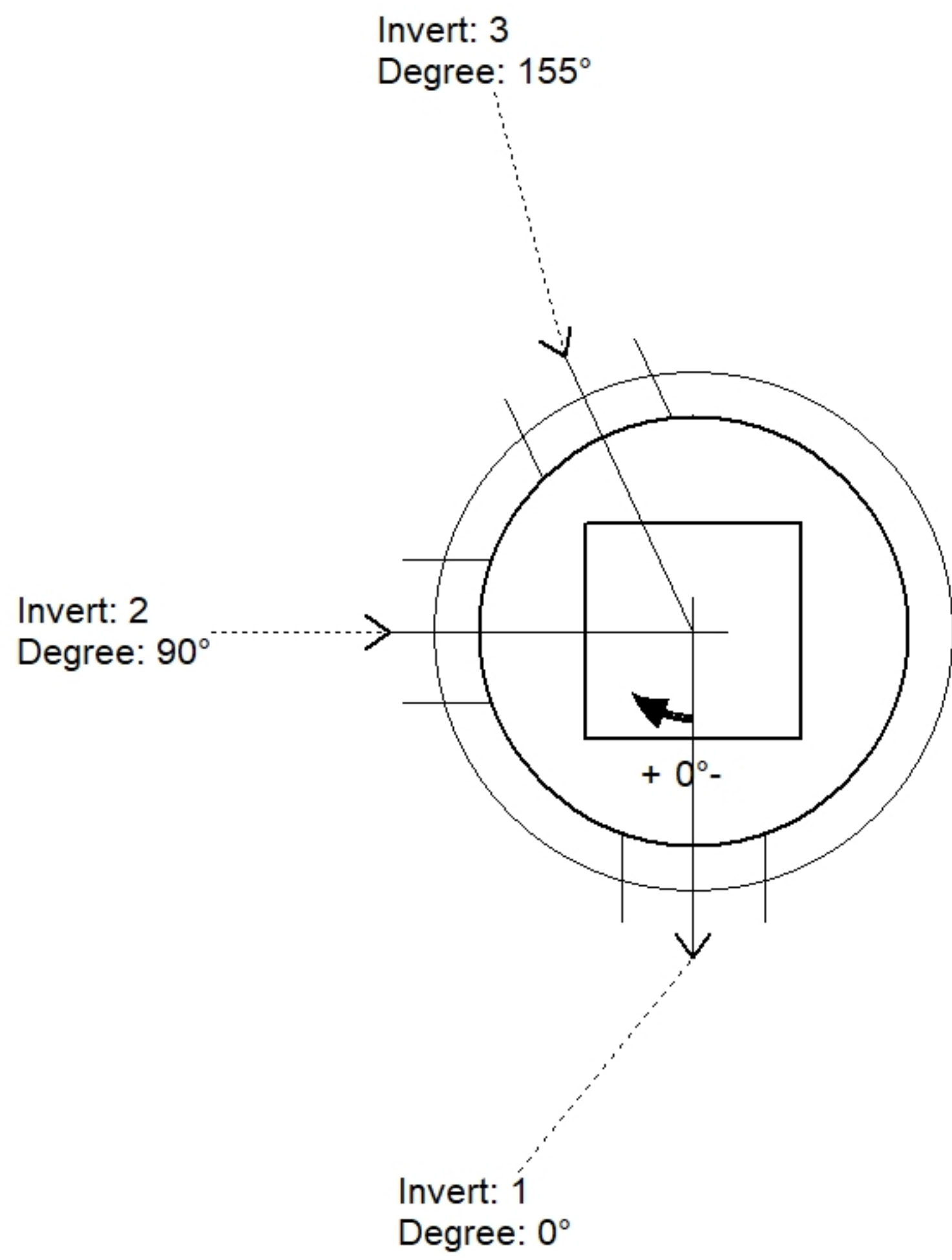
Floor (Bot): 534.976'
 Overall Height: 4.417'
 Slack: 0.33"

Structure Notes:

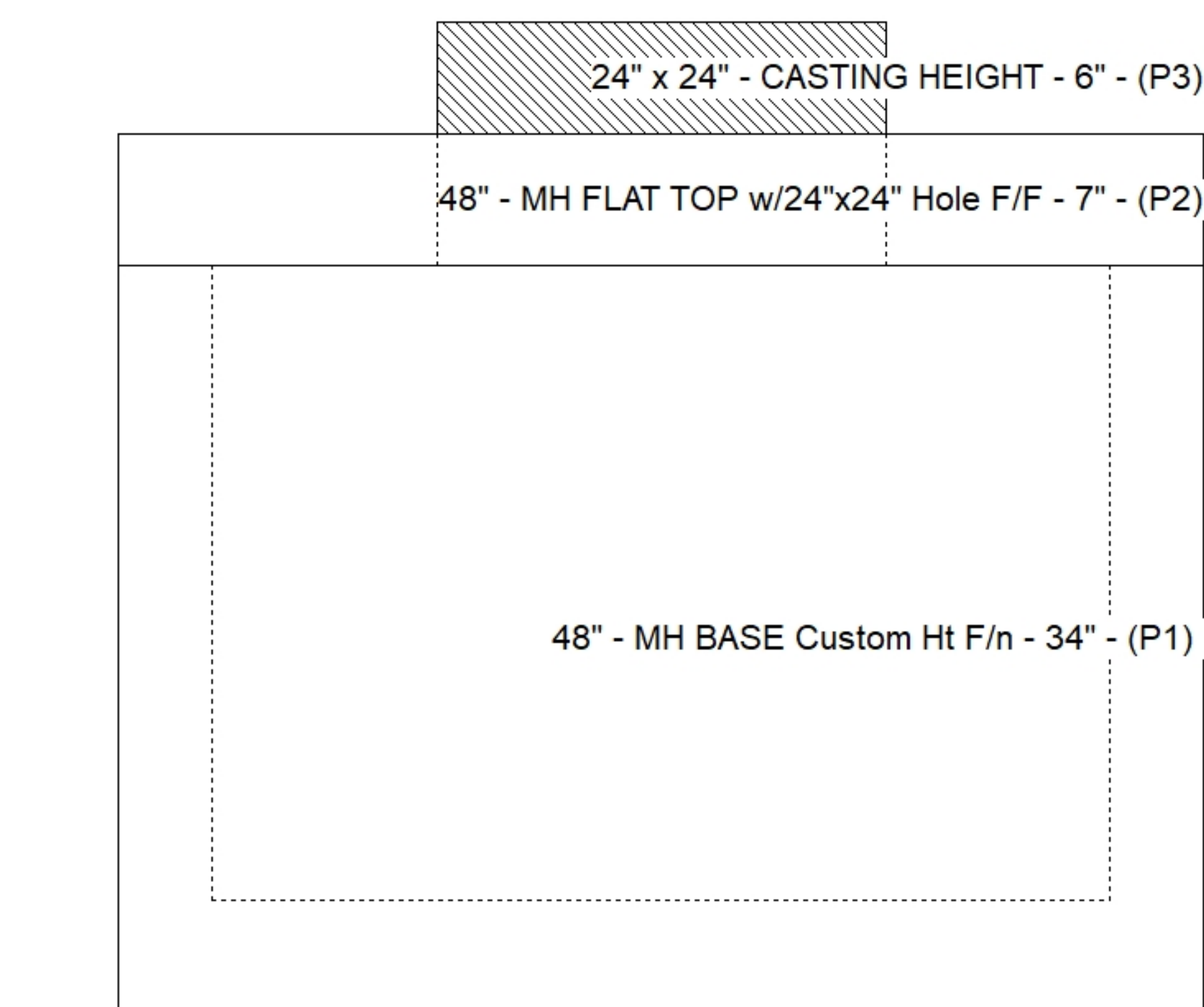
1. HOE 360 SET PROVIDED BY ICAST.
2. PER ASTM C478 SPECIFICATIONS.
3. CONCRETE = 4,000 PSI AT 28 DAYS.
4. REINFORCING PER ASTM A615 (GRADE 60).
 - TOP SLAB (As .62) #5 BARS AT 6" C.C.E.W..
 - RISER/WALLS (As .12)
 - FLOOR (As .31) #5 BARS AT 12" C.C.E.W.

STRUCTURE SUMMARY:

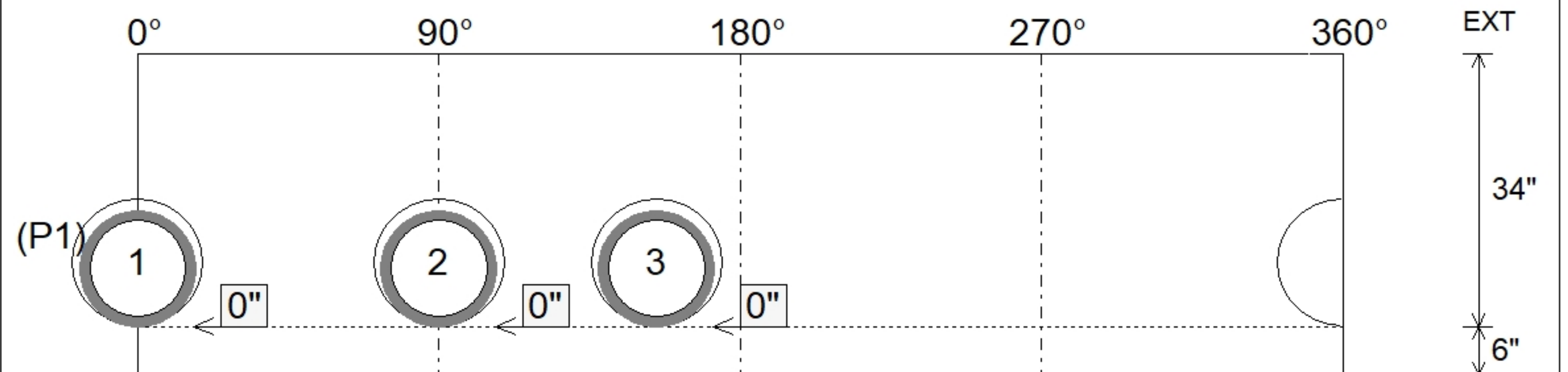
| | |
|---|----------------|
| P3) 24" x 24" - CASTING HEIGHT - 6" | 0 lb |
| P2) 48" - MH FLAT TOP w/24"x24" Hole F/F - 7" | 1214 lb |
| P1) 48" - MH BASE Custom Ht F/n - 34" | 3448 lb |
| 1) CASTING - HOE 360 Set (F/G/H) | 362 lb |
| 1) 48" - Conseal CS-102 1.00" | 0 lb |
| 1) 24" x 24" - Conseal CS-102 1.00" | 0 lb |
| 3) Hole - 16 | 0 lb |
| | ----- |
| Structure Total: | 5024 lb |



| Position | Elev | Angle | Pipe | Pipe OD | Hole | Connector | Up () | Ref |
|----------|---------|-------|----------|---------|------|-----------|--------|-----|
| Rim | 539.42' | | | | | | | |
| Reducer | | | | | | | | |
| Invert 1 | 535.58' | 0° | 12" HDPE | 14.5" | 16" | Hole 16 | 0" | P1 |
| Invert 2 | 535.58' | 90° | 12" HDPE | 14.5" | 16" | Hole 16 | 0" | P1 |
| Invert 3 | 535.58' | 155° | 12" HDPE | 14.5" | 16" | Hole 16 | 0" | P1 |
| Invert 4 | | | | | | | | |
| Invert 5 | | | | | | | | |
| Invert 6 | | | | | | | | |
| Invert 7 | | | | | | | | |
| Invert 8 | | | | | | | | |



Cast (Int. Dim.) - Interior Dimensions



Submittal Drawing
 11/25/2025 2:28:15 PM

SUBMITTAL
 APPROVED BY: