

Structure ID: CI-D7

P1 MH048BAVF

MH BASE Custom Ht F/n

P3) 24" x 24" - CASTING HEIGHT - 6" P2) 48" - MH FLAT TOP w/24"x24" Hole F/F - 7" P1) 48" - MH BASE Custom Ht F/n - 34" 1) CASTING - HOE 360 Set (F/G/H) 1) 48" - Conseal CS-102 1.00" 1) 24" x 24" - Conseal CS-102 1.00" 3) Hole - 16	0 lb 1214 lb 3448 lb 362 lb 0 lb 0 lb 0 lb ----- 5024 lb	Structure Notes: 1. HOE 360 SET PROVIDED BY ICAST. 2. PER ASTM C478 SPECIFICATIONS. 3. CONCRETE = 4,000 PSI AT 28 DAYS. 4. REINFORCING PER ASTM A615 (GRADE 60). - TOP SLAB (As .62) #5 BARS AT 6" C.C.E.W.. - RISER/WALLS (As .12) - FLOOR (As .31) #5 BARS AT 12" C.C.E.W.
---	--	--

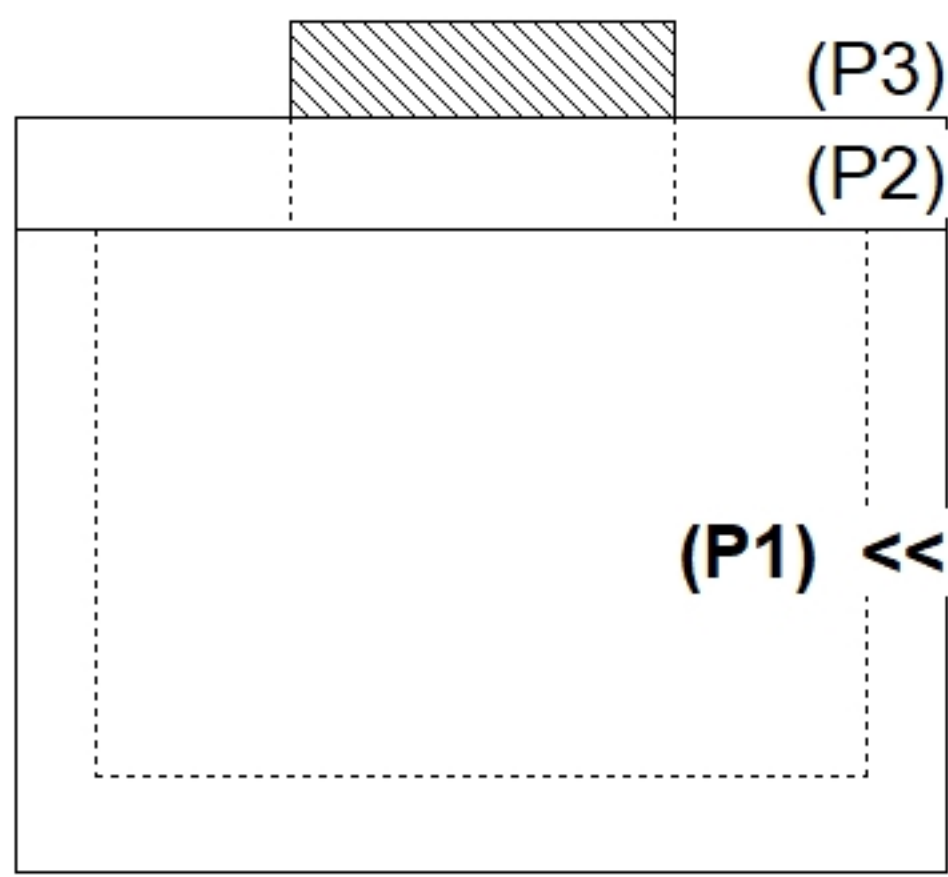
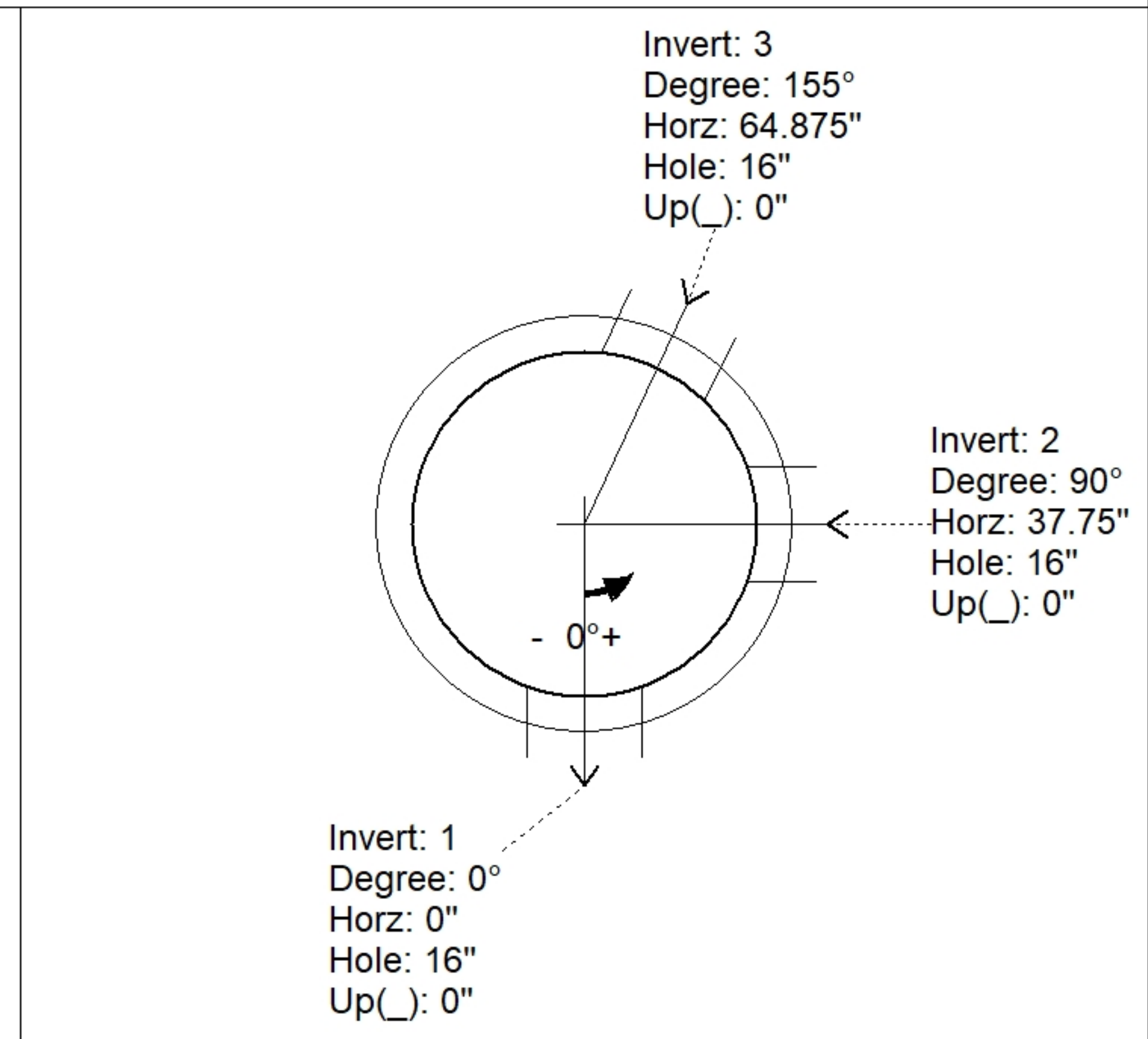
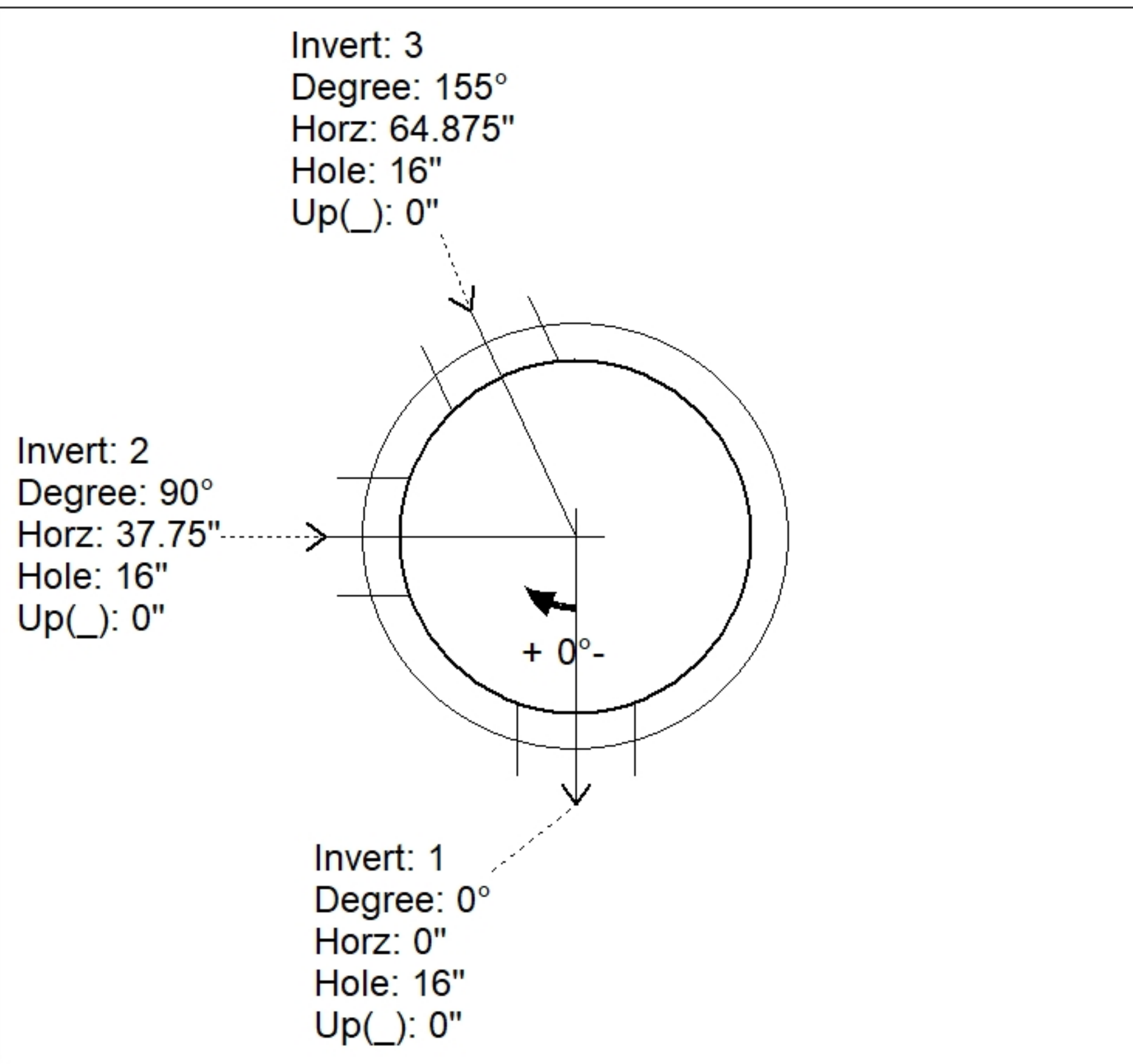
Structure Total: 5024 lb

Rim: 539.42' Rim to Invert: 3.84' Slack: 0.33" Sump: 1.25" Step Position:

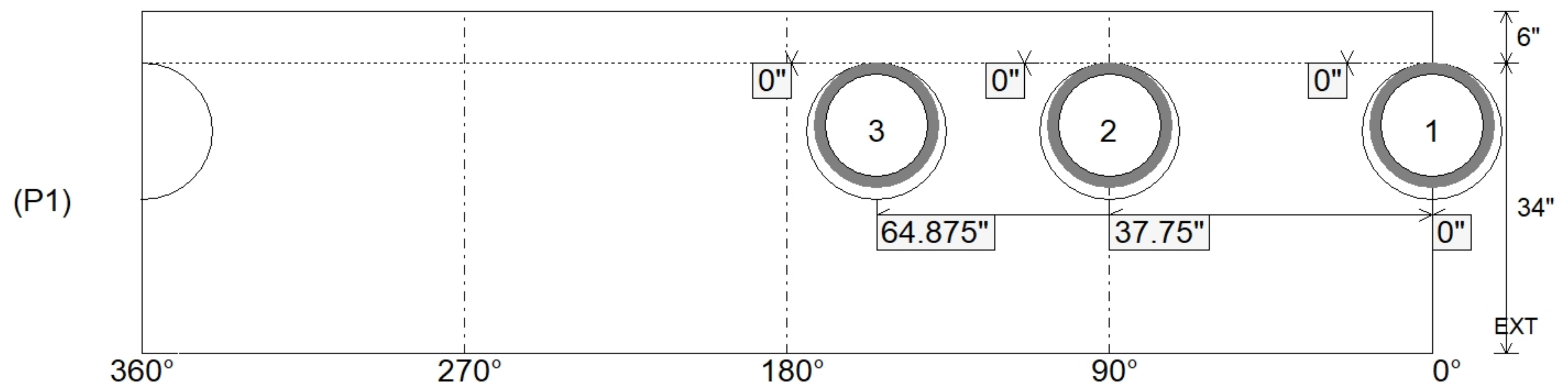
Position	Elev	Angle	Ext. (cw)	Pipe	Pipe OD	Connector	Hole	Horz Size	Up ()	Offset
Invert 1	535.58'	0°	0"	12" HDPE	14.5"	Hole 16	16"	16.312"	0"	0"
Invert 2	535.58'	90°	45.5"	12" HDPE	14.5"	Hole 16	16"	16.312"	0"	0"
Invert 3	535.58'	155°	78.5"	12" HDPE	14.5"	Hole 16	16"	16.312"	0"	0"
Invert 4										
Invert 5										
Invert 6										
Invert 7										
Invert 8										

RIGHT-SIDE UP VIEW (int. dimensions)

UPSIDE-DOWN VIEW (int. dimensions)



INSIDE WALL DIMENSIONS



Coating (Int): Coating (Ext):	Seam Up: Flat Seam Dn: n/a	Wall Thickness: 5" Floor Height: 6"	Height (Int): 34" Height (Ext): 40"	Weight (Net): 3448 lb Volume (Net): 0.88cu.yd
----------------------------------	-------------------------------	--	--	--