

Job Name: 25-2797 - US 31 W & Marlin RD Improvements
Job Location: White House, TN
Contractor: Scotty's Contracting & Stone, LLC

PC: C. Goff
 TECH: J. Coppage
 Plant: Beaver Dam



Structure ID: **CB7**
 Spec: TDOT
 Type: CB TYPE 12RA
 Size: 48"

Rim: 886.35'
 Invert: 883.1'
 Rim to Invert: 3.25'

Sump: 2.5"
 Floor (Top): 882.892'
 Floor Height: 6"

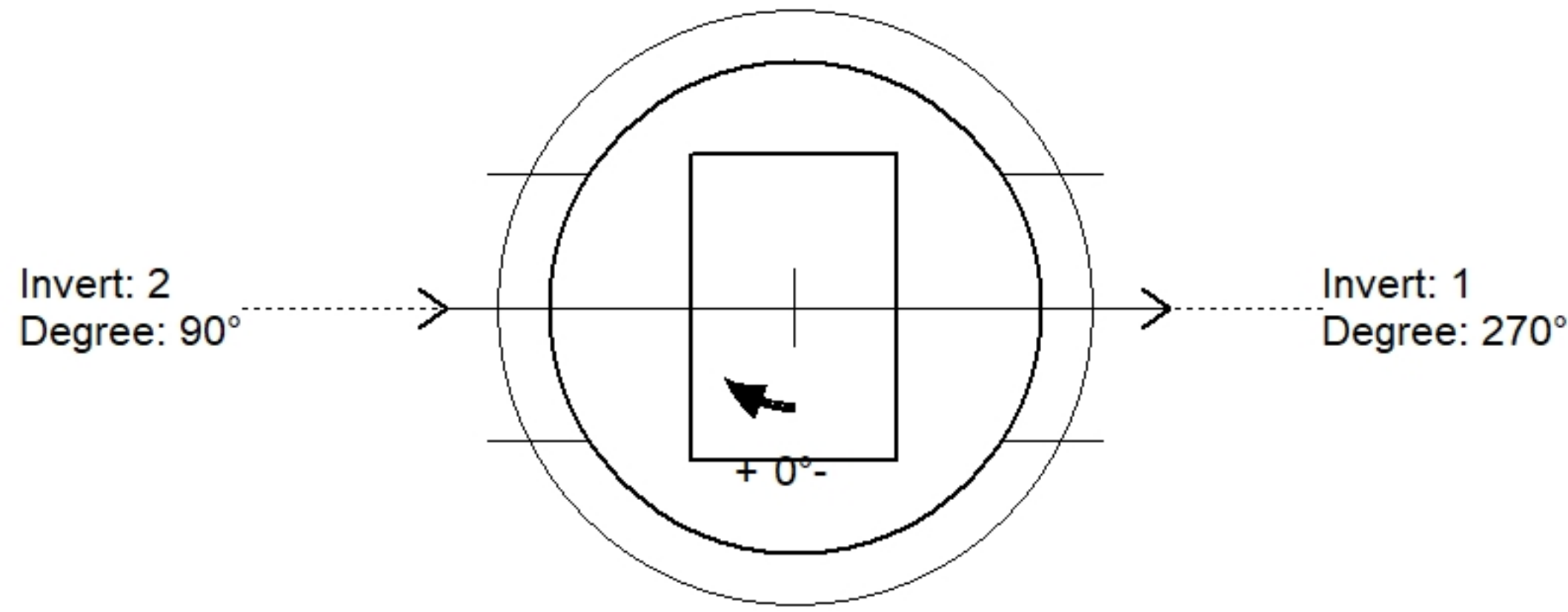
Floor (Bot): 882.392'
 Overall Height: 3.917'
 Slack: 0.5"

Structure Notes:

1. JBS-3123 MOD. PROVIDED BY ICAST
 2. PER TDOT D-CB-12LP / ASTM C913 SPEC'S.
 3. CONCRETE = 4,000 PSI AT 28 DAYS.
 4. REINFORCING PER ASTM A615 (GRADE 60).
- ** PER TDOT STD DRAWING D-CB-12LP MODIFIED**
- WALLS (As .62) #5 BARS AT 6" C.C.E.W.
 - FLOOR (As .62) #5 BARS AT 6" C.C.E.W.

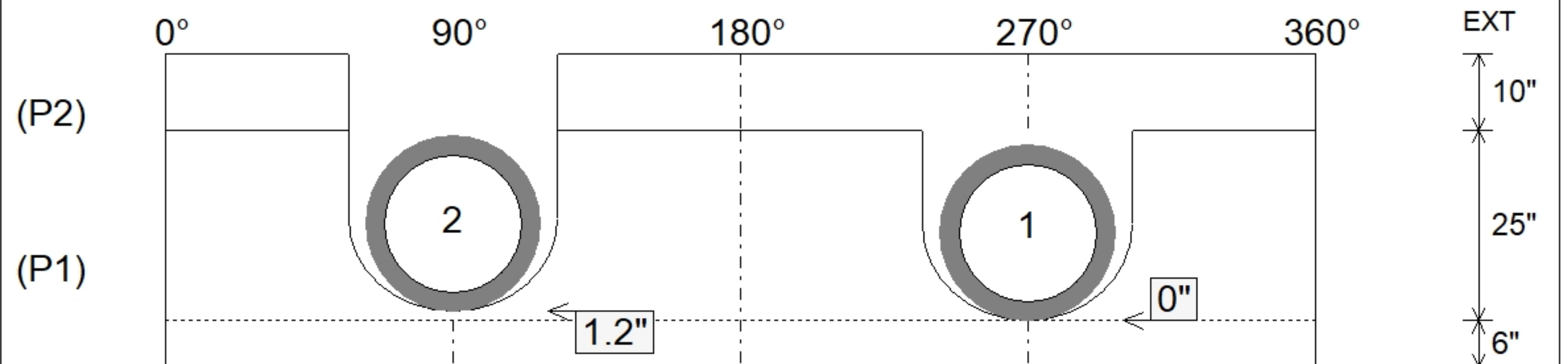
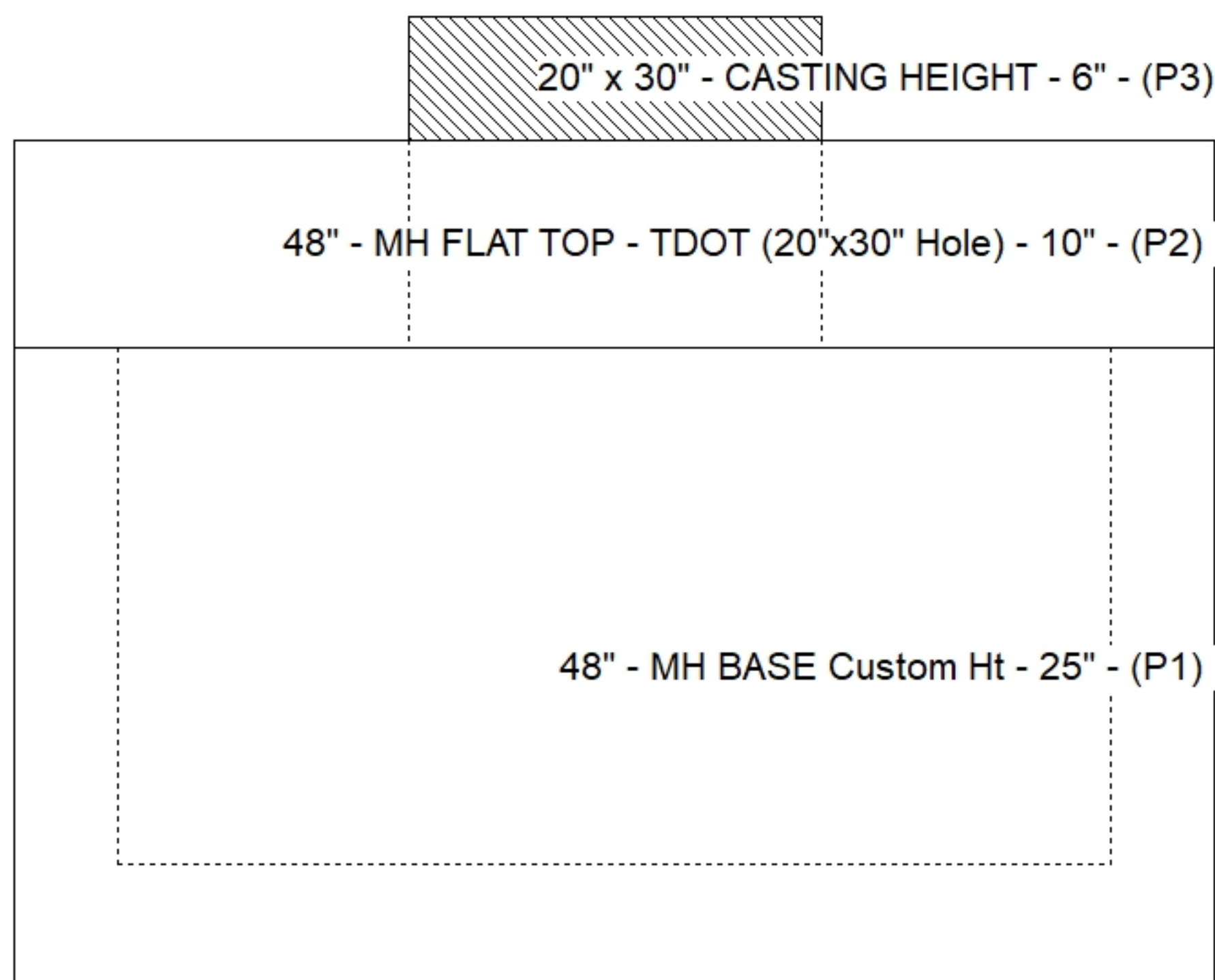
STRUCTURE SUMMARY:

P3) 20" x 30" - CASTING HEIGHT - 6"	0 lb
P2) 48" - MH FLAT TOP - TDOT (20"x30" Hole) - 10"	1213 lb
P1) 48" - MH BASE Custom Ht - 25"	2579 lb
1) 48" - SGL 1"x14.5' Butyl (2x)	0 lb
1) DOGHOUSE INVRTD - 26"x25"	0 lb
1) DOGHOUSE INVRTD - 26"x24"	0 lb
Structure Total:	3792 lb



Position	Elev	Angle	Pipe	Pipe OD	Hole	Connector	Up (")	Ref
Rim	886.35'							
Reducer								
Invert 1	883.1'	270°	18" RCP B WALL	23"	26" x 25"	DOGHOUSE INVRTD 26"x25"	0"	P1
Invert 2	883.2'	90°	18" RCP B WALL	23"	26" x 24"	DOGHOUSE INVRTD 26"x24"	1.2"	P1
Invert 3								
Invert 4								
Invert 5								
Invert 6								
Invert 7								
Invert 8								

Default - Interior Dimensions



Submittal Drawing
 10/7/2025 9:08:06 AM

SUBMITTAL
 APPROVED BY: