

Job Name: 25-2797 - US 31 W & Marlin RD Improvements	Plant: Beaver Dam	Tech: J. Coppage	
Job Location: White House, TN Contractor: Scotty's Contracting & Stone, LLC	10/7/2025 9:08:32 AM	PC: C. Goff	

**Structure ID: CB7**

**P2 MH048LD10SP**

**MH FLAT TOP - TDOT (20"x30" Hole)**

- P3) 20" x 30" - CASTING HEIGHT - 6"
- P2) 48" - MH FLAT TOP - TDOT (20"x30" Hole) - 10"
- P1) 48" - MH BASE Custom Ht - 25"
- 1) 48" - SGL 1"x14.5' Butyl (2x)
- 1) DOGHOUSE INVRTD - 26"x25"
- 1) DOGHOUSE INVRTD - 26"x24"

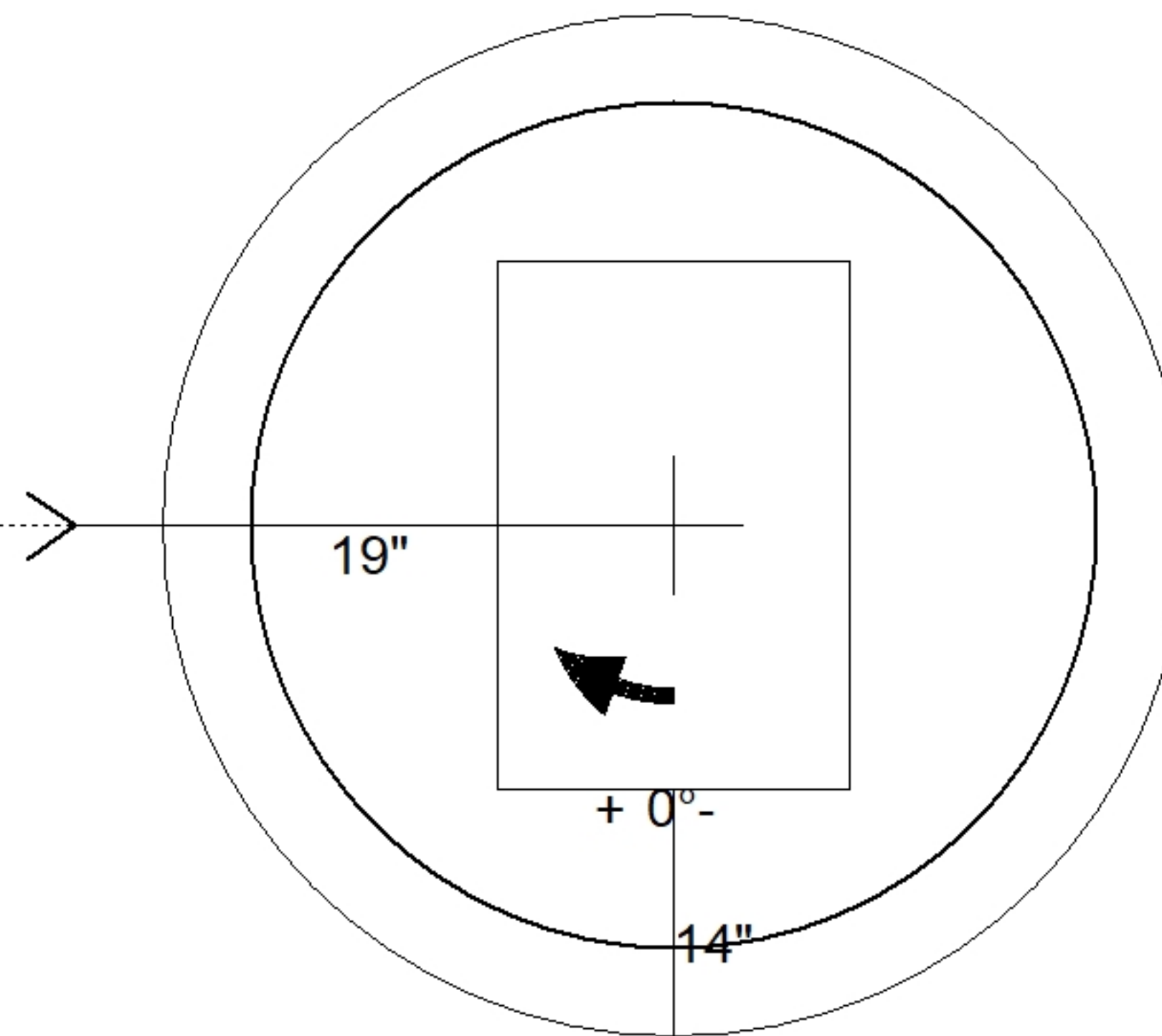
	0 lb
	1213 lb
	2579 lb
	0 lb
	0 lb
	0 lb
Structure Total:	3792 lb

Structure Notes:

1. JBS-3123 MOD. PROVIDED BY ICAST
2. PER TDOT D-CB-12LP / ASTM C913 SPEC'S.
3. CONCRETE = 4,000 PSI AT 28 DAYS.
4. REINFORCING PER ASTM A615 (GRADE 60).

\*\* PER TDOT STD DRAWING D-CB-12LP MODIFIED\*\*

- WALLS (As .62) #5 BARS AT 6" C.C.E.W.
- FLOOR (As .62) #5 BARS AT 6" C.C.E.W.



48" - MH FLAT TOP - TDOT (20"x30" Hole) - 10" - (P2)

Coating (Int): Coating (Ext):	Seam Up: Flat Seam Dn: Flat	Wall Thickness: 5"	Height (Ext): 10"	Weight (Net): 1213 lb Volume (Net): 0.3cu.yd
----------------------------------	--------------------------------	--------------------	-------------------	---