

Structure ID: CB7

P1 MH048BAVF

MH BASE Custom Ht

P3) 20" x 30" - CASTING HEIGHT - 6" P2) 48" - MH FLAT TOP - TDOT (20"x30" Hole) - 10" P1) 48" - MH BASE Custom Ht - 25" 1) 48" - SGL 1"x14.5' Butyl (2x) 1) DOGHOUSE INVRTD - 26"x25" 1) DOGHOUSE INVRTD - 26"x24"	0 lb 1213 lb 2579 lb 0 lb 0 lb 0 lb ----- Structure Total: 3792 lb
---	---

Structure Notes:

1. JBS-3123 MOD. PROVIDED BY ICAST
2. PER TDOT D-CB-12LP / ASTM C913 SPEC'S.
3. CONCRETE = 4,000 PSI AT 28 DAYS.
4. REINFORCING PER ASTM A615 (GRADE 60).

**** PER TDOT STD DRAWING D-CB-12LP MODIFIED****

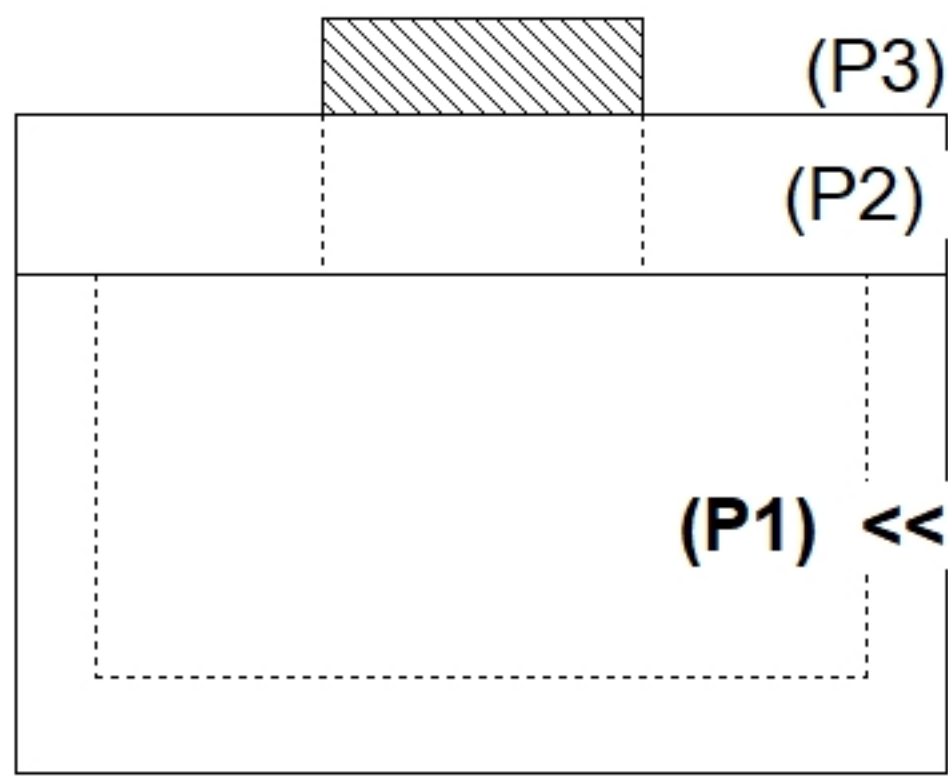
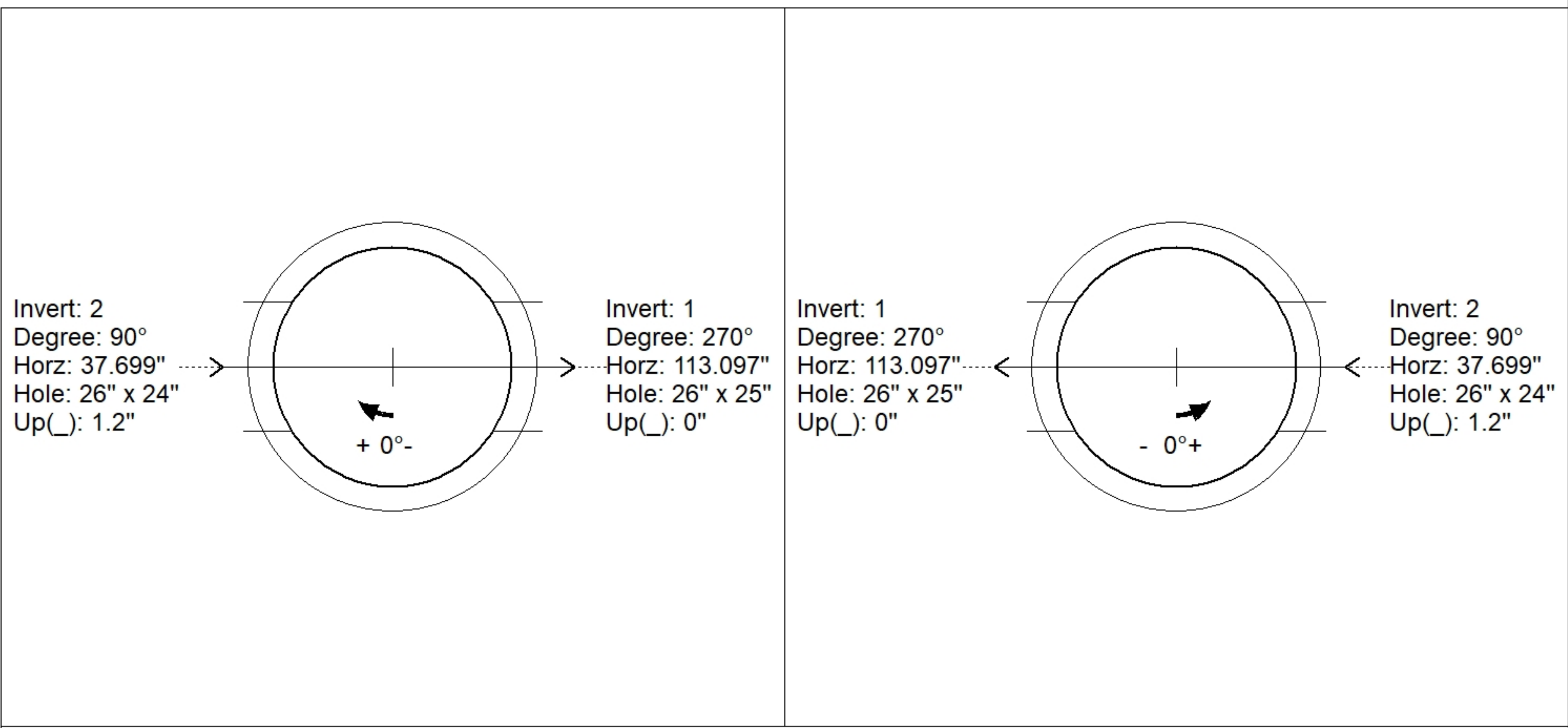
- WALLS (As .62) #5 BARS AT 6" C.C.E.W.
- FLOOR (As .62) #5 BARS AT 6" C.C.E.W.

Rim: 886.35' Rim to Invert: 3.25' Slack: 0.5" Sump: 2.5" Step Position:

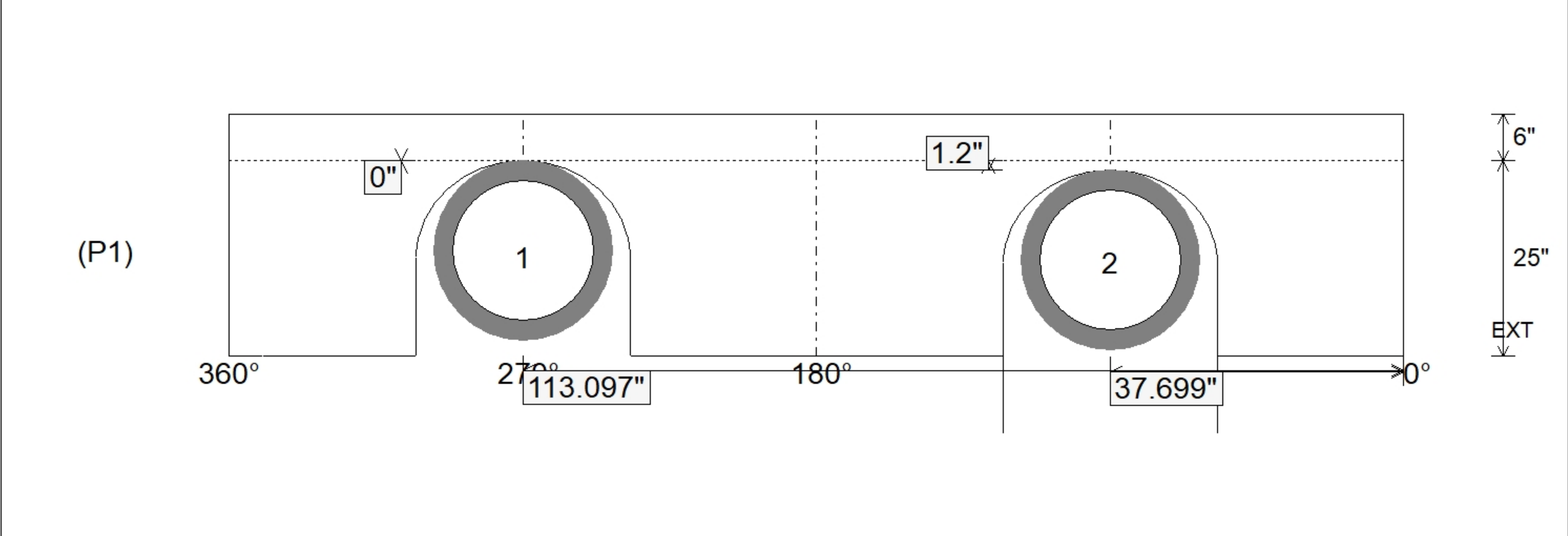
Position	Elev	Angle	Ext. (cw)	Pipe	Pipe OD	Connector	Hole	Horz Size	Up ()	Offset
Invert 1	883.1'	270°	136.659"	18" RCP B WALL	23"	DOGHOUSE INVRTD 26"x25"	26" x 25"	27.476"	0"	0"
Invert 2	883.2'	90°	45.553"	18" RCP B WALL	23"	DOGHOUSE INVRTD 26"x24"	26" x 24"	27.476"	1.2"	0"
Invert 3										
Invert 4										
Invert 5										
Invert 6										
Invert 7										
Invert 8										

RIGHT-SIDE UP VIEW (int. dimensions)

UPSIDE-DOWN VIEW (int. dimensions)



INSIDE WALL DIMENSIONS



Coating (Int): Coating (Ext):	Seam Up: Flat Seam Dn: n/a	Wall Thickness: 5" Floor Height: 6"	Height (Int): 25" Height (Ext): 31"	Weight (Net): 2579 lb Volume (Net): 0.66cu.yd
----------------------------------	-------------------------------	--	--	--