

Job Name: 25-2797 - US 31 W & Marlin RD Improvements
Job Location: White House, TN
Contractor: Scotty's Contracting & Stone, LLC

PC: C. Goff
 TECH: J. Coppage
 Plant: Beaver Dam



Structure ID: **CB3**
 Spec: TDOT
 Type: CB TYPE 12RA
 Size: 48"

Rim: 886.7'
 Invert: 879.35'
 Rim to Invert: 7.35'

Sump: 3"
 Floor (Top): 879.1'
 Floor Height: 6"

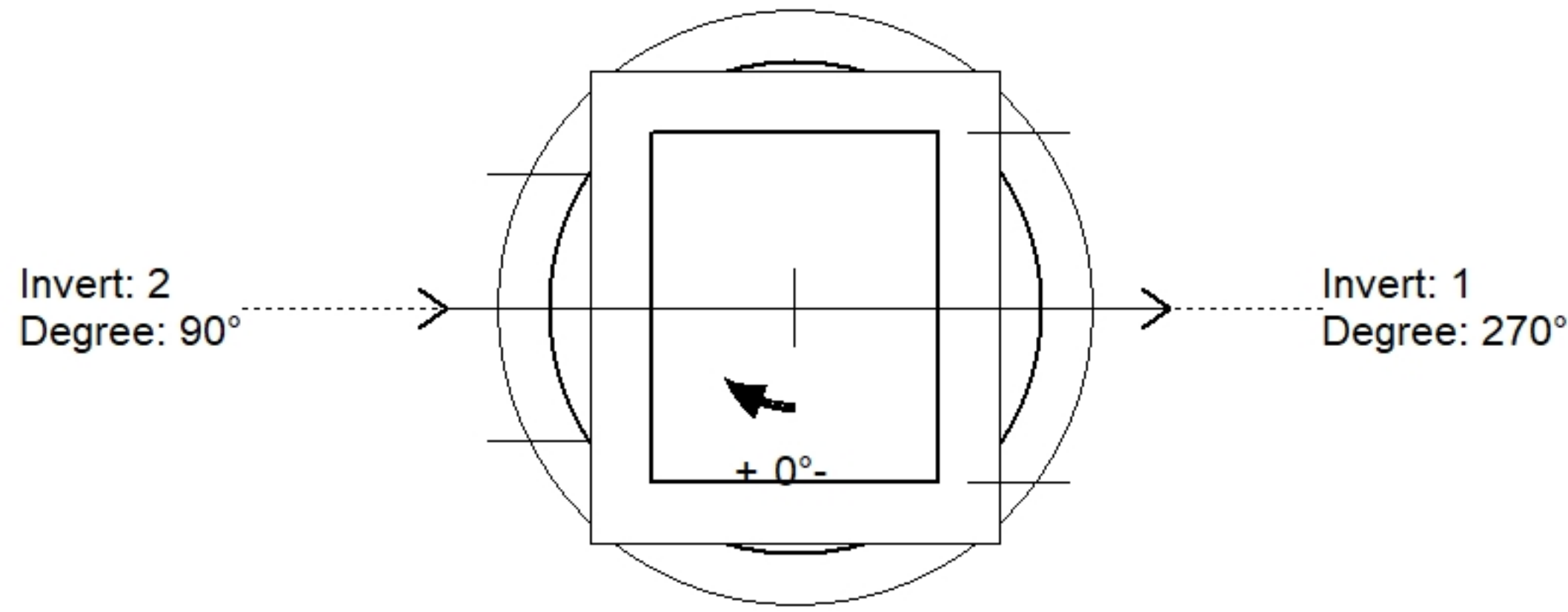
Floor (Bot): 878.6'
 Overall Height: 8.083'
 Slack: 0.2"

Structure Notes:

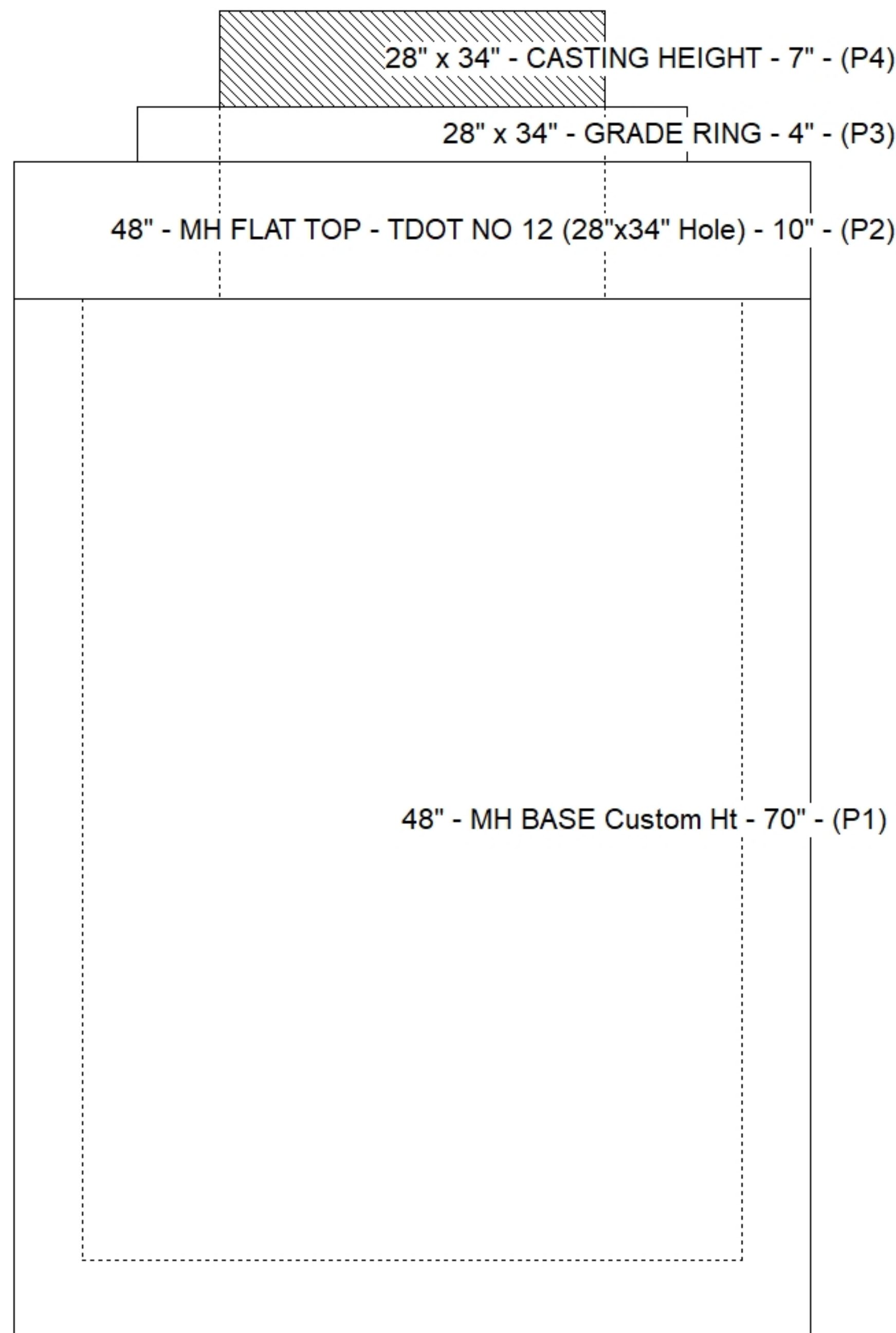
1. JBS-3123 MOD. PROVIDED BY ICAST
 2. PER TDOT D-CB-12RA / ASTM C478 SPEC'S.
 3. CONCRETE = 4,000 PSI AT 28 DAYS.
 4. REINFORCING PER ASTM A615 (GRADE 60).
- ** PER TDOT STD DRAWING D-CB-12RA **
- TOP SLAB - DBL MAT #5 BARS.
 - RISER (As .24)
 - FLOOR (As .62) #5 BARS AT 6" C.C.E.W.

STRUCTURE SUMMARY:

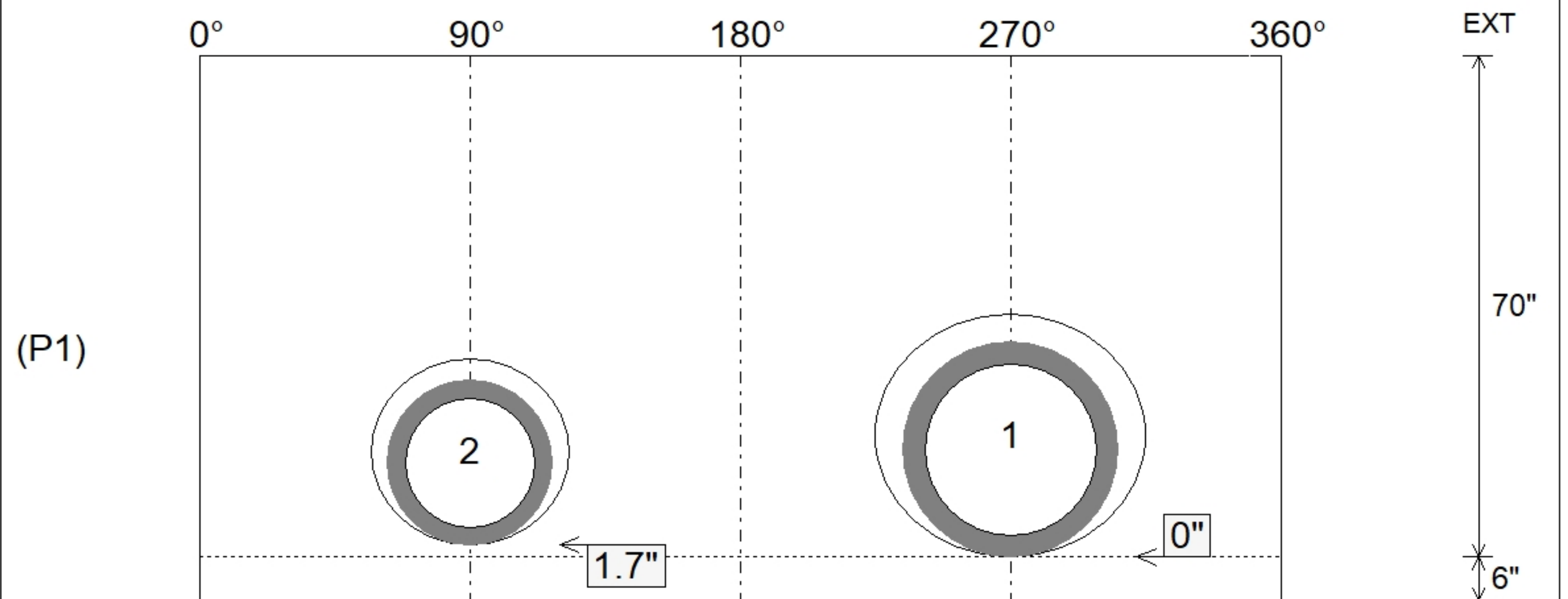
P4) 28" x 34" - CASTING HEIGHT - 7"	0 lb
P3) 28" x 34" - GRADE RING - 4"	298 lb
P2) 48" - MH FLAT TOP - TDOT NO 12 (28"x34" Hole) - 10"	1497 lb
P1) 48" - MH BASE Custom Ht - 70"	5572 lb
1) 48" - SGL 1"x14.5' Butyl (2x)	0 lb
1) Hole - 34	0 lb
1) Hole - 26	0 lb
Structure Total:	7367 lb



Position	Elev	Angle	Pipe	Pipe OD	Hole	Connector	Up (")	Ref
Rim	886.7'							
Reducer								
Invert 1	879.35'	270°	24" RCP B WALL	30"	34"	Hole 34	0"	P1
Invert 2	879.45'	90°	18" RCP B WALL	23"	26"	Hole 26	1.7"	P1
Invert 3								
Invert 4								
Invert 5								
Invert 6								
Invert 7								
Invert 8								



Default - Interior Dimensions



Submittal Drawing
 10/7/2025 9:08:04 AM

SUBMITTAL
 APPROVED BY: