

Job Name: 25-2797 - US 31 W & Marlin RD Improvements	Plant: Beaver Dam	Tech: J. Coppage	
Job Location: White House, TN Contractor: Scotty's Contracting & Stone, LLC	10/7/2025 9:08:31 AM	PC: C. Goff	

Structure ID: CB3

P2 MH048LD10SP

MH FLAT TOP - TDOT NO 12 (28"x34" Hole)

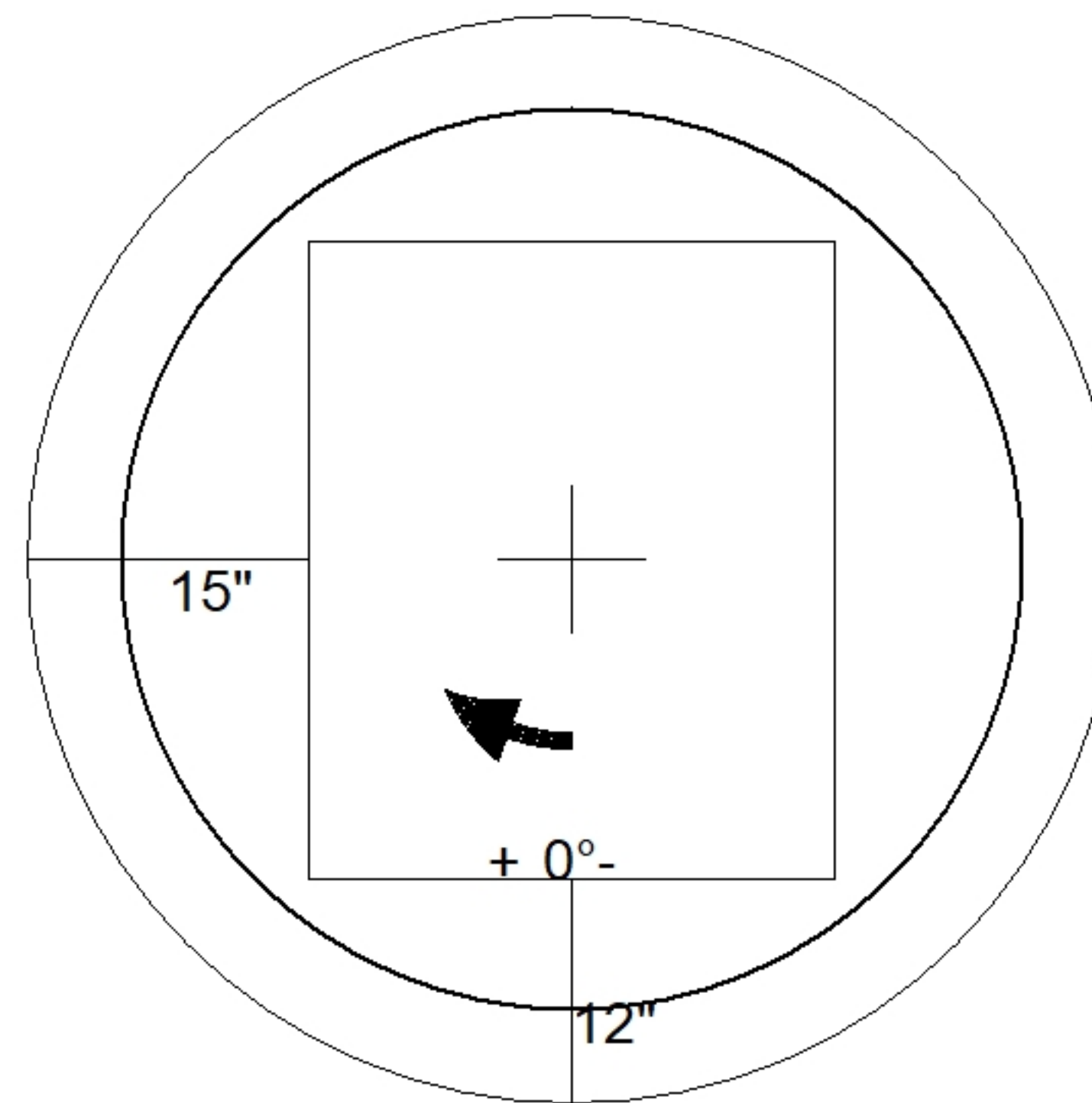
P4) 28" x 34" - CASTING HEIGHT - 7"	0 lb
P3) 28" x 34" - GRADE RING - 4"	298 lb
P2) 48" - MH FLAT TOP - TDOT NO 12 (28"x34" Hole) - 10"	1497 lb
P1) 48" - MH BASE Custom Ht - 70"	5572 lb
1) 48" - SGL 1"x14.5' Butyl (2x)	0 lb
1) Hole - 34	0 lb
1) Hole - 26	0 lb
Structure Total:	7367 lb

Structure Notes:

1. JBS-3123 MOD. PROVIDED BY ICAST
2. PER TDOT D-CB-12RA / ASTM C478 SPEC'S.
3. CONCRETE = 4,000 PSI AT 28 DAYS.
4. REINFORCING PER ASTM A615 (GRADE 60).

** PER TDOT STD DRAWING D-CB-12RA **

- TOP SLAB - DBL MAT #5 BARS.
- RISER (As .24)
- FLOOR (As .62) #5 BARS AT 6" C.C.E.W.



48" - MH FLAT TOP - TDOT NO 12 (28"x34" Hole) - 10" - (P2)

Coating (Int):	Seam Up: Flat	Wall Thickness: 5"	Height (Ext): 10"	Weight (Net): 1497 lb
Coating (Ext):	Seam Dn: Flat			Volume (Net): 0.38cu.yd