

Structure ID: CB2

P1 MH048BAVF

MH BASE Custom Ht

P3) 28" x 34" - CASTING HEIGHT - 7" P2) 48" - MH FLAT TOP - TDOT NO 12 (28"x34" Hole) - 10" P1) 48" - MH BASE Custom Ht - 63" 1) 48" - SGL 1"x14.5' Butyl (2x) 2) Hole - 34	0 lb 1497 lb 4901 lb 0 lb 0 lb ----- Structure Total: 6398 lb
-----------------------------------------------------------------------------------------------------------------------------------------------------------------------------------------	---------------------------------------------------------------------------------

Structure Notes:

1. JBS-3123 MOD. PROVIDED BY ICAST
2. PER TDOT D-CB-12RA / ASTM C478 SPEC'S.
3. CONCRETE = 4,000 PSI AT 28 DAYS.
4. REINFORCING PER ASTM A615 (GRADE 60).

**** PER TDOT STD DRAWING D-CB-12RA ****

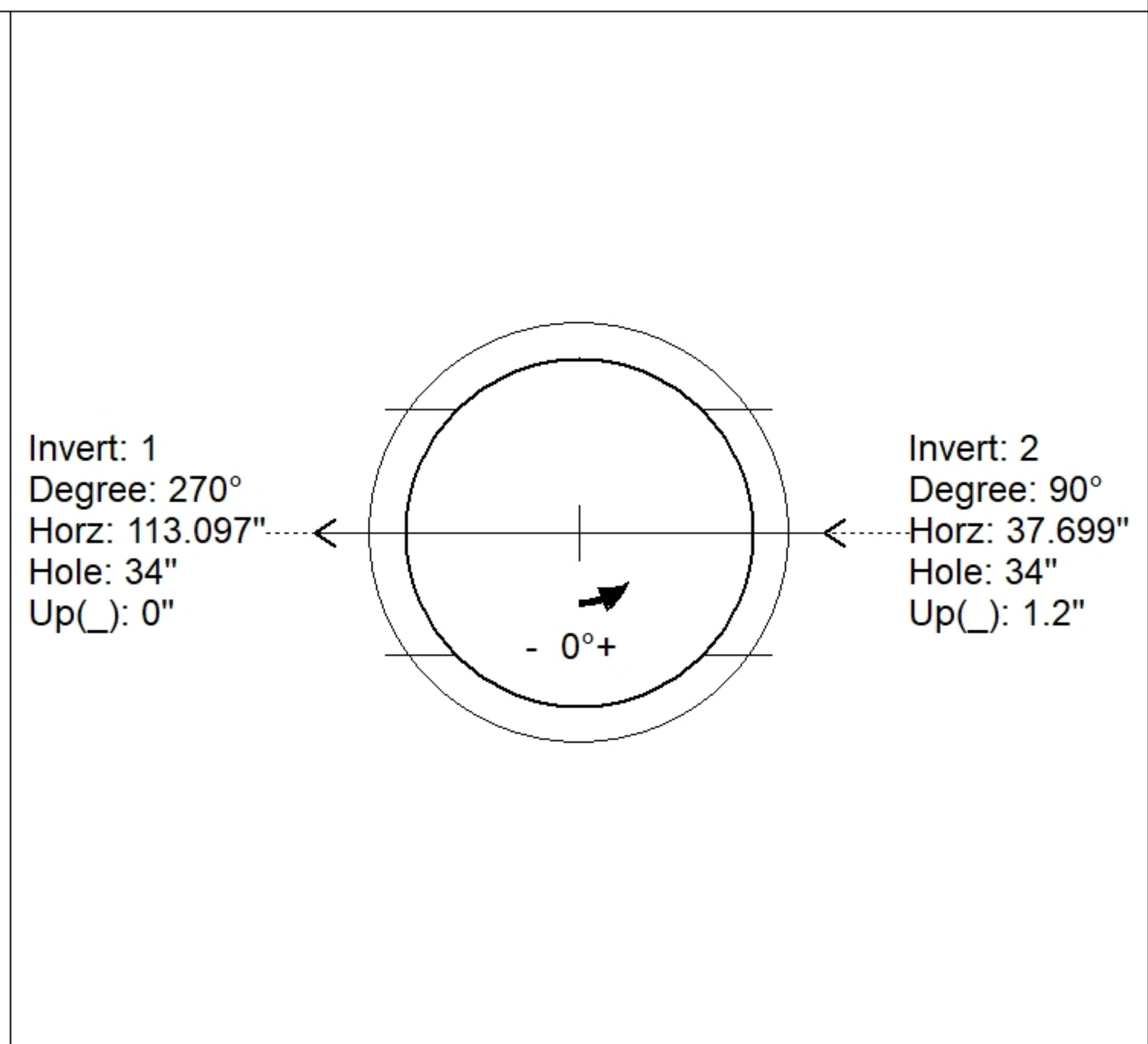
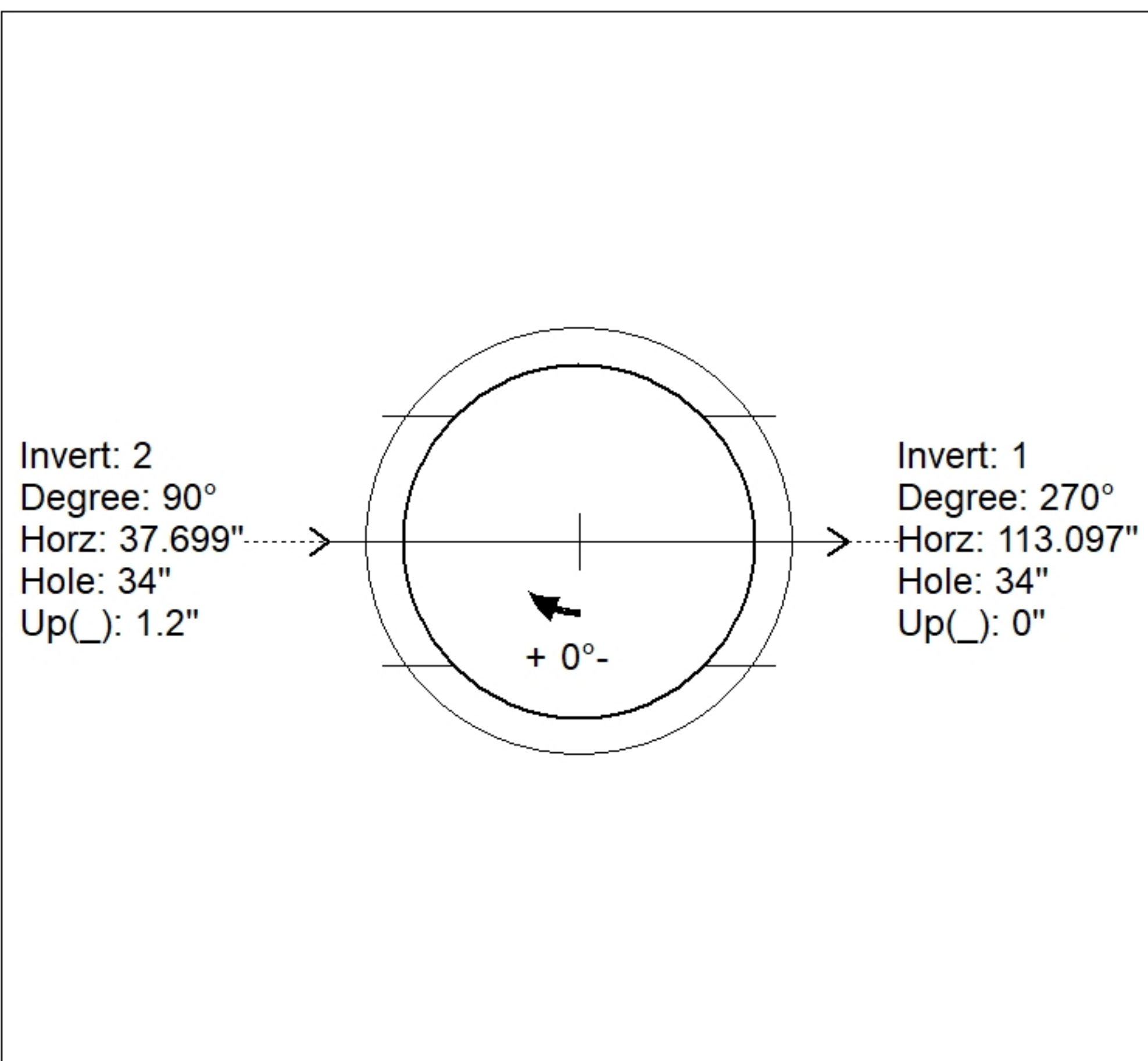
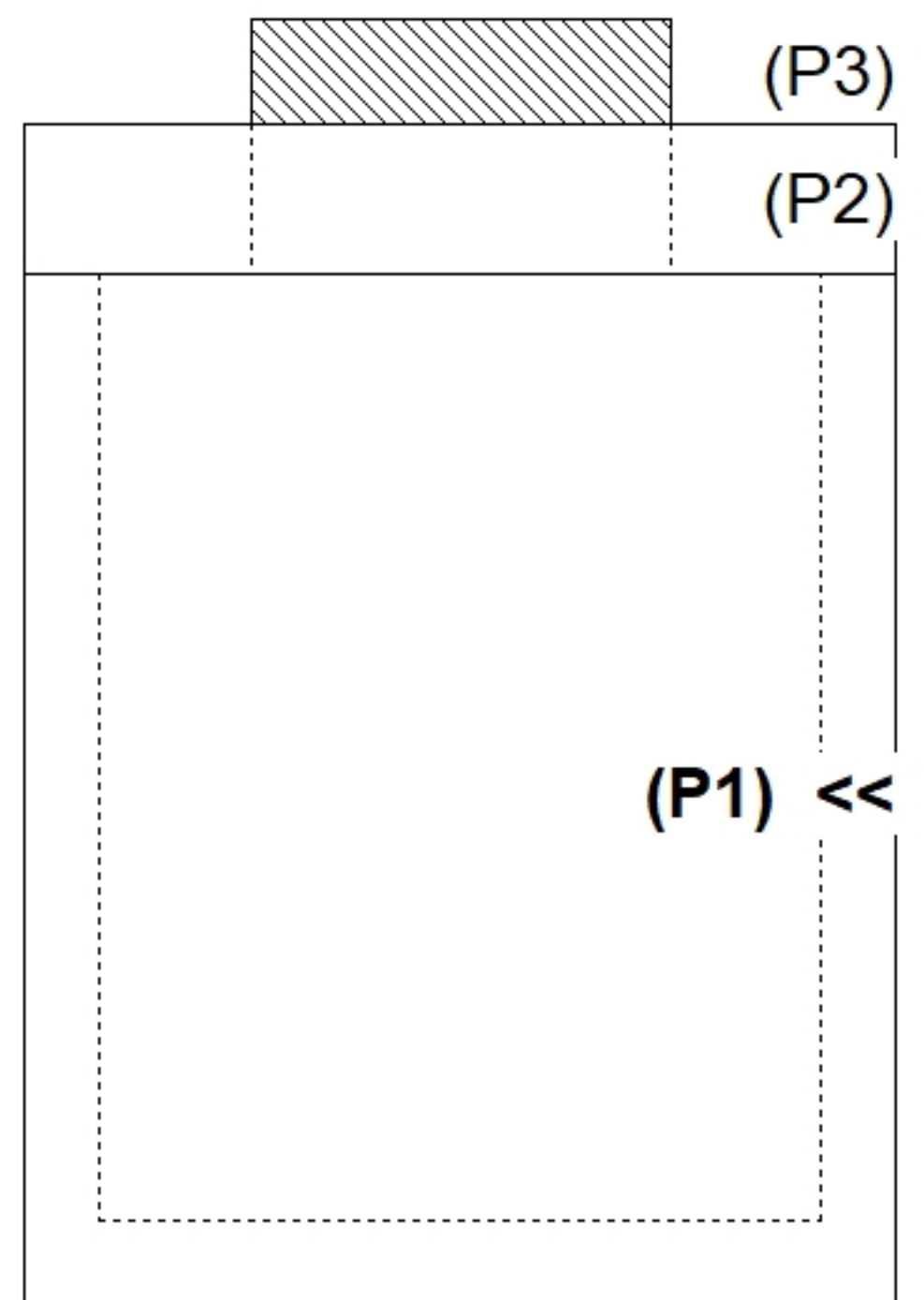
- TOP SLAB - DBL MAT #5 BARS.
- RISER (As .24)
- FLOOR (As .62) #5 BARS AT 6" C.C.E.W.

Rim: 885.12' Rim to Invert: 6.42' Slack: 0.04" Sump: 3" Step Position:

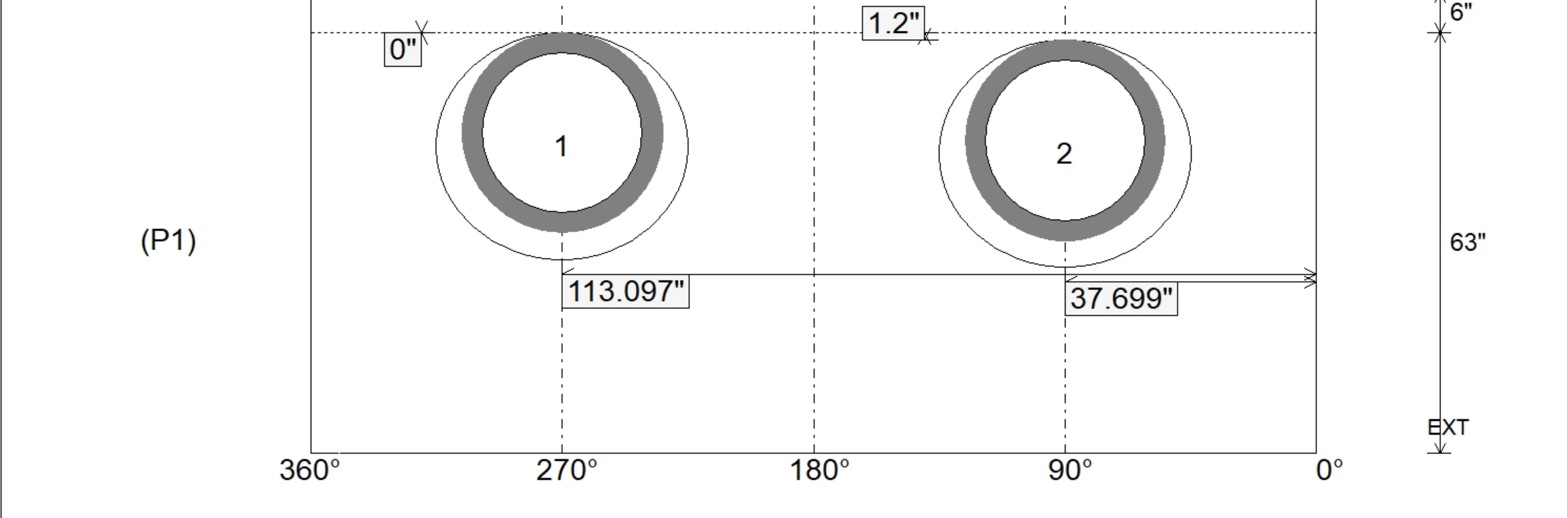
Position	Elev	Angle	Ext. (cw)	Pipe	Pipe OD	Connector	Hole	Horz Size	Up ()	Offset
Invert 1	878.7'	270°	136.659"	24" RCP B WALL	30"	Hole 34	34"	37.782"	0"	0"
Invert 2	878.8'	90°	45.553"	24" RCP B WALL	30"	Hole 34	34"	37.782"	1.2"	0"
Invert 3										
Invert 4										
Invert 5										
Invert 6										
Invert 7										
Invert 8										

RIGHT-SIDE UP VIEW (int. dimensions)

UPSIDE-DOWN VIEW (int. dimensions)



INSIDE WALL DIMENSIONS



Coating (Int): Coating (Ext):	Seam Up: Flat Seam Dn: n/a	Wall Thickness: 5" Floor Height: 6"	Height (Int): 63" Height (Ext): 69"	Weight (Net): 4901 lb Volume (Net): 1.25cu.yd
----------------------------------	-------------------------------	----------------------------------------	----------------------------------------	--------------------------------------------------