

Job Name: 25-2797 - US 31 W & Marlin RD Improvements
Job Location: White House, TN
Contractor: Scotty's Contracting & Stone, LLC

PC: C. Goff
 TECH: J. Coppage
 Plant: Beaver Dam



Structure ID: **AD4**
 Spec: TDOT
 Type: CB TYPE 42RB
 Size: 60"

Rim: 886.2'
 Invert: 879.6'
 Rim to Invert: 6.6'

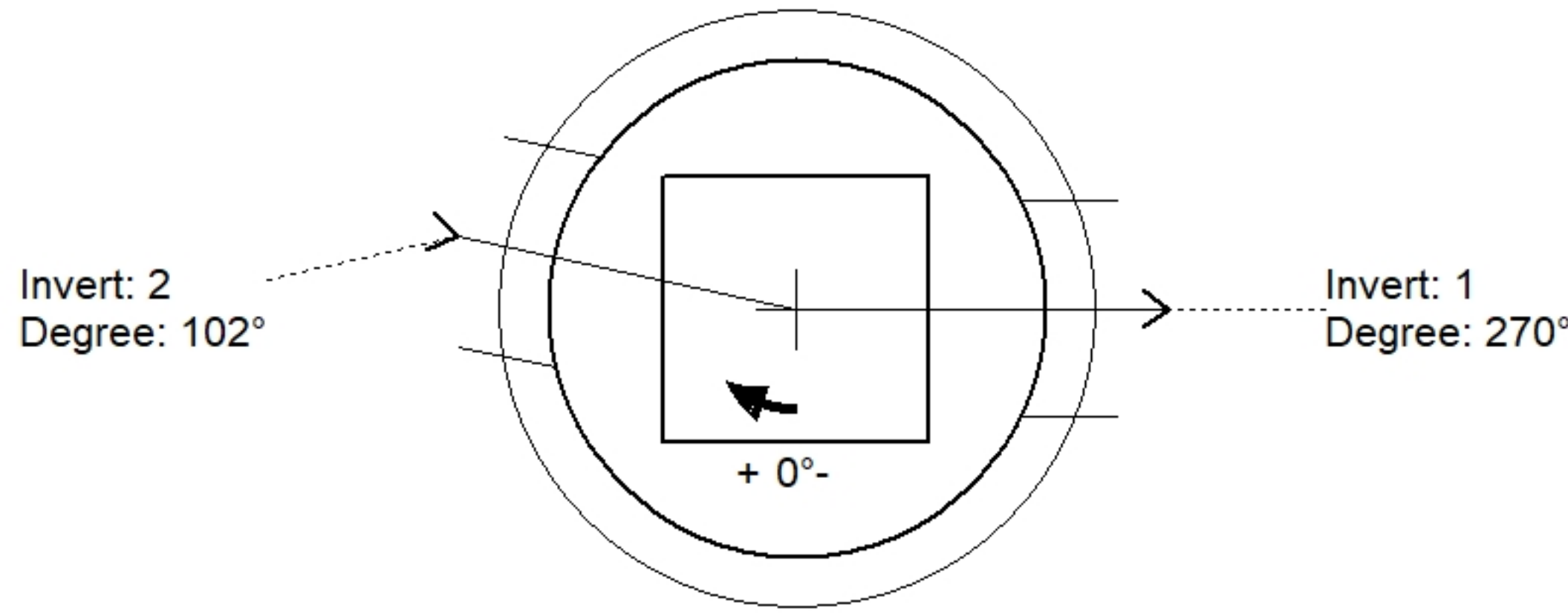
Sump: 2.5"
 Floor (Top): 879.392'
 Floor Height: 8"

Floor (Bot): 878.725'
 Overall Height: 7.417'
 Slack: 0.7"

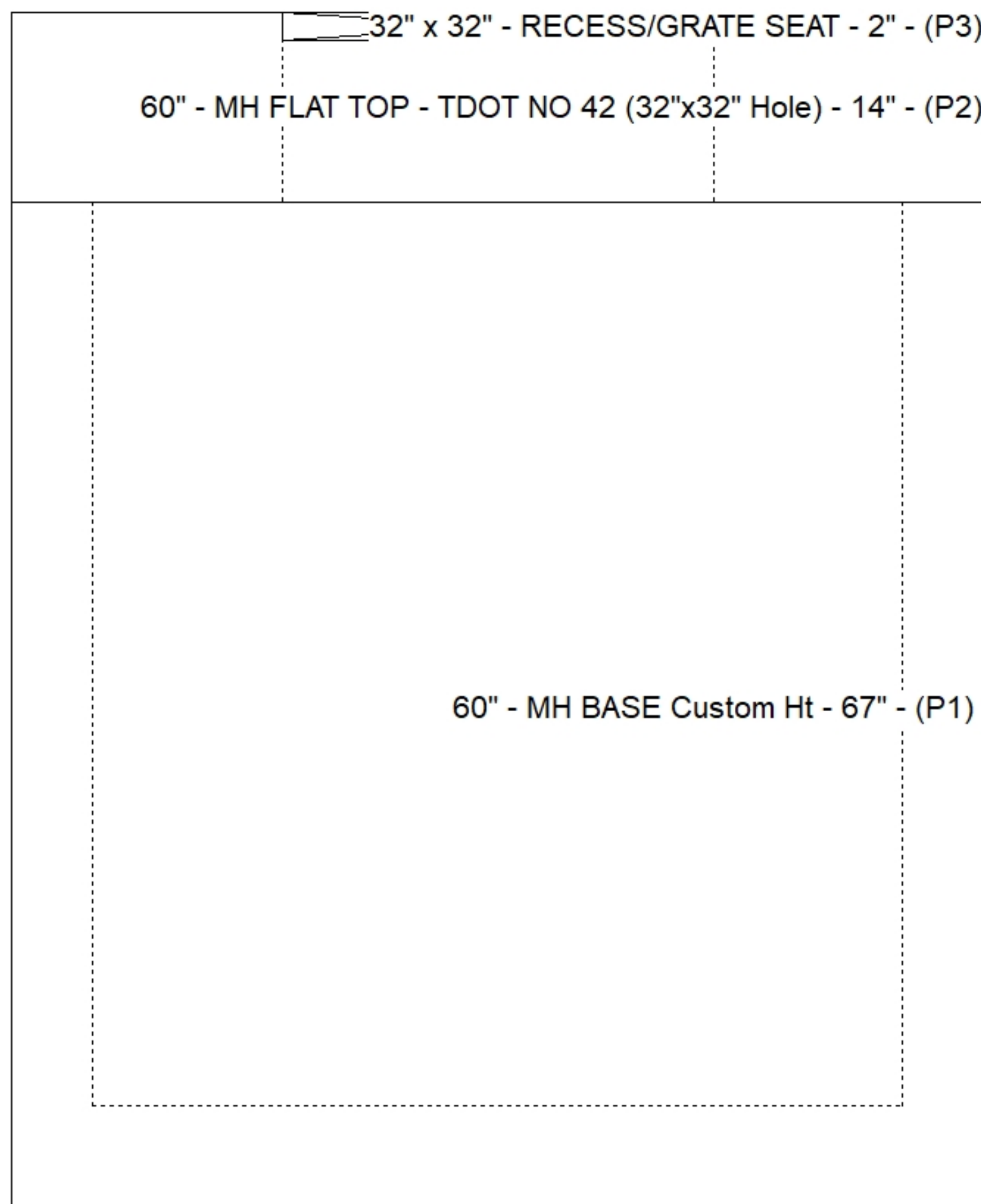
Structure Notes:
 1. JBS-4200 PROVIDED BY ICAST
 2. PER TDOT D-CB-42RB / ASTM C478 SPEC'S.
 3. CONCRETE = 4,000 PSI AT 28 DAYS.
 4. REINFORCING PER ASTM A615 (GRADE 60).
 ** PER TDOT STD DRAWING D-CB-42RB **
 - TOP SLAB - DBL MAT #5 BARS.
 - RISER (As .18)
 - FLOOR (As .62) #5 BARS AT 6" C.C.E.W.
 5. 2" WD x 2" DEEP GRATE SEAT/RECESS IN STEPPED TOP SLAB.

STRUCTURE SUMMARY:

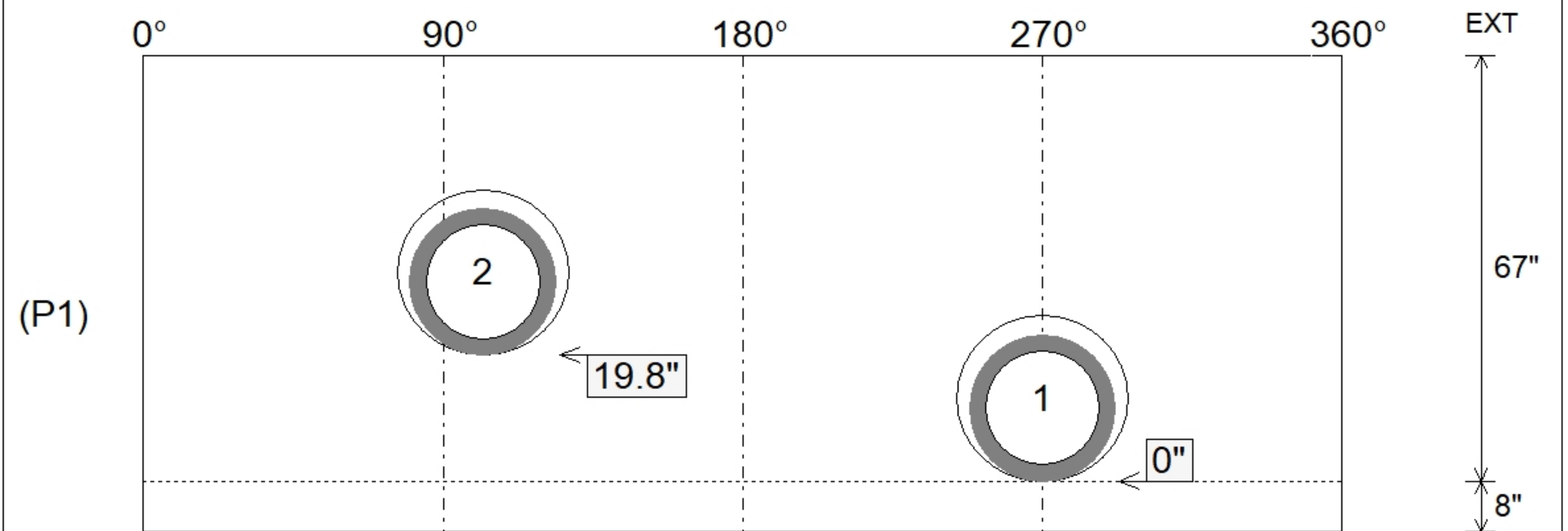
P3) 32" x 32" - RECESS/GRATE SEAT - 2"	0 lb
P2) 60" - MH FLAT TOP - TDOT NO 42 (32"x32" Hole) - 14"	3629 lb
P1) 60" - MH BASE Custom Ht - 67"	9178 lb
1) 60" - SGL 1"x14.5' Butyl (2x)	0 lb
2) Hole - 26	0 lb
Structure Total:	12807 lb



Position	Elev	Angle	Pipe	Pipe OD	Hole	Connector	Up (")	Ref
Rim	886.2'							
Reducer								
Invert 1	879.6'	270°	18" RCP B WALL	23"	26"	Hole 26	0"	P1
Invert 2	881.25'	102°	18" RCP B WALL	23"	26"	Hole 26	19.8"	P1
Invert 3								
Invert 4								
Invert 5								
Invert 6								
Invert 7								
Invert 8								



Default - Interior Dimensions



Submittal Drawing
 10/7/2025 9:08:05 AM

SUBMITTAL
 APPROVED BY: