

Job Name: 25-2797 - US 31 W & Marlin RD Improvements	Plant: Beaver Dam	Tech: J. Coppage	
Job Location: White House, TN Contractor: Scotty's Contracting & Stone, LLC	10/7/2025 9:08:31 AM	PC: C. Goff	

Structure ID: AD4

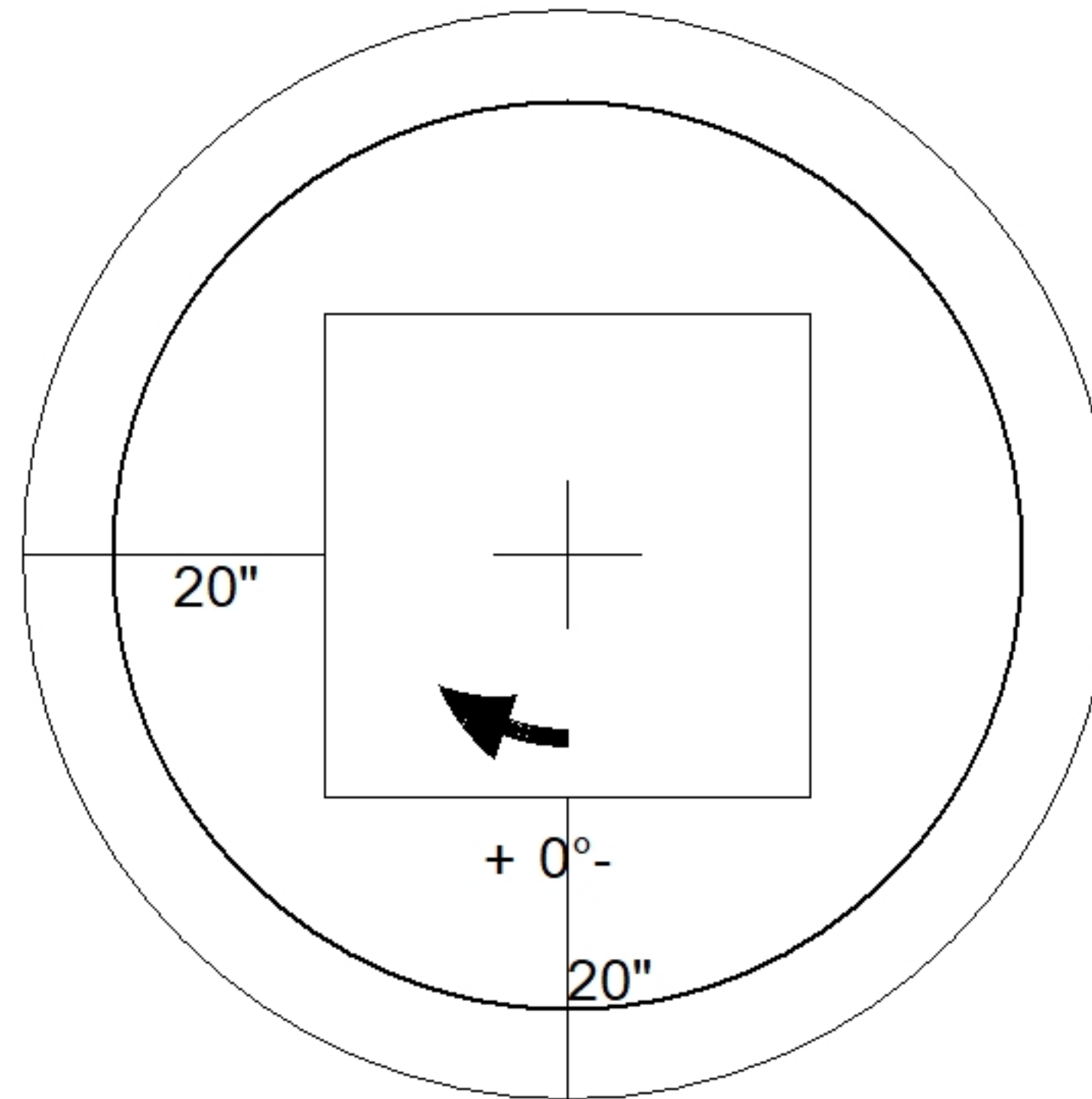
P2 MH060LD14SP

MH FLAT TOP - TDOT NO 42 (32"x32" Hole)

- P3) 32" x 32" - RECESS/GRATE SEAT - 2"
- P2) 60" - MH FLAT TOP - TDOT NO 42 (32"x32" Hole) - 14"
- P1) 60" - MH BASE Custom Ht - 67"
- 1) 60" - SGL 1"x14.5' Butyl (2x)
- 2) Hole - 26

	0 lb
	3629 lb
	9178 lb
	0 lb
	0 lb
Structure Total:	12807 lb

- Structure Notes:
1. JBS-4200 PROVIDED BY ICAST
 2. PER TDOT D-CB-42RB / ASTM C478 SPEC'S.
 3. CONCRETE = 4,000 PSI AT 28 DAYS.
 4. REINFORCING PER ASTM A615 (GRADE 60).
 - ** PER TDOT STD DRAWING D-CB-42RB **
 - TOP SLAB - DBL MAT #5 BARS.
 - RISER (As .18)
 - FLOOR (As .62) #5 BARS AT 6" C.C.E.W.
 5. 2" WD x 2" DEEP GRATE SEAT/RECESS IN STEPPED TOP SLAB.



Coating (Int): Coating (Ext):	Seam Up: Flat Seam Dn: Flat	Wall Thickness: 6"	Height (Ext): 14"	Weight (Net): 3629 lb Volume (Net): 0.93cu.yd
----------------------------------	--------------------------------	--------------------	-------------------	--