

Structure ID: AD4

P1 MH060BAVF

MH BASE Custom Ht

P3) 32" x 32" - RECESS/GRATE SEAT - 2" P2) 60" - MH FLAT TOP - TDOT NO 42 (32"x32" Hole) - 14" P1) 60" - MH BASE Custom Ht - 67" 1) 60" - SGL 1"x14.5' Butyl (2x) 2) Hole - 26	0 lb 3629 lb 9178 lb 0 lb 0 lb ----- Structure Total: 12807 lb
--	--

Structure Notes:

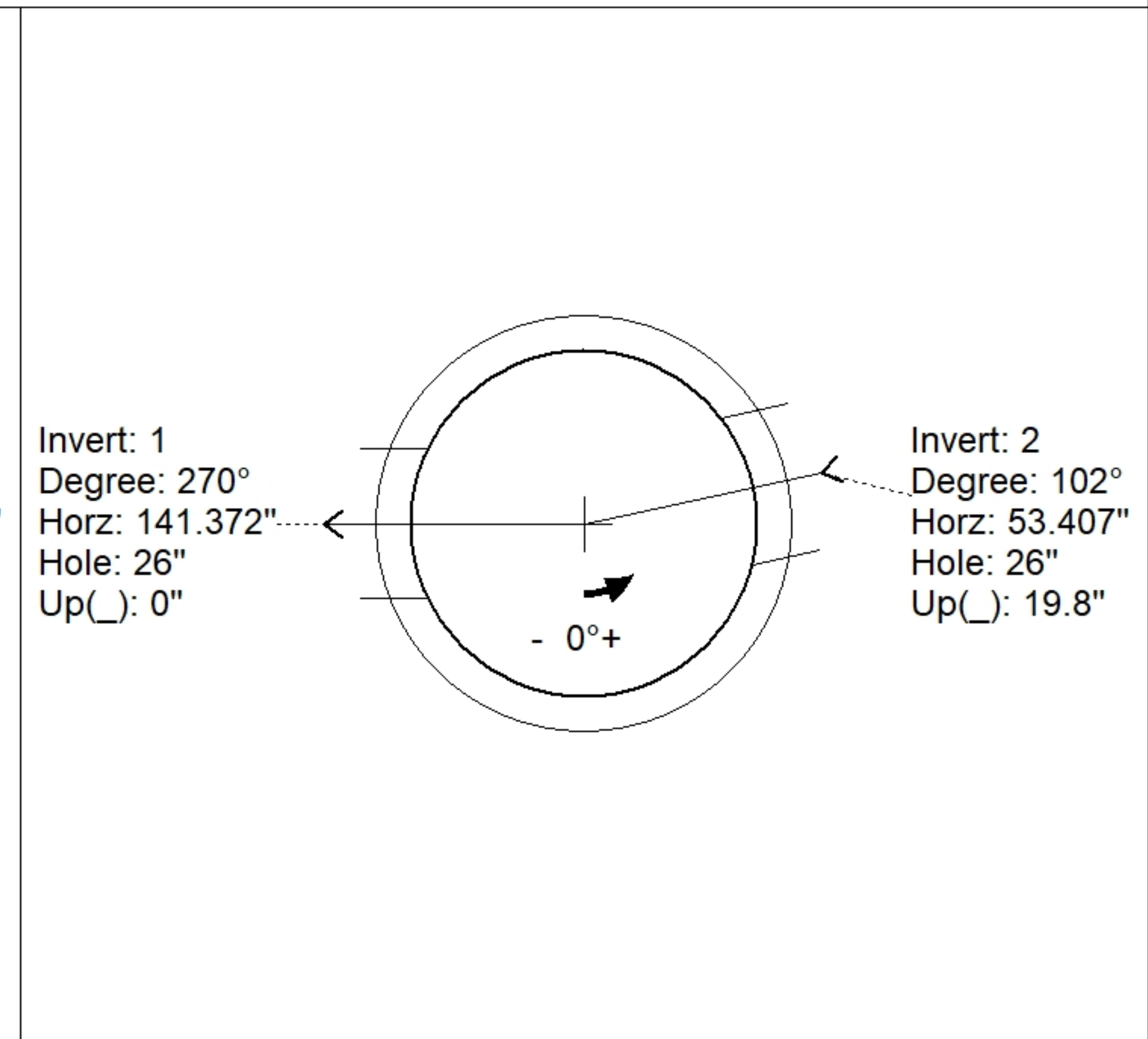
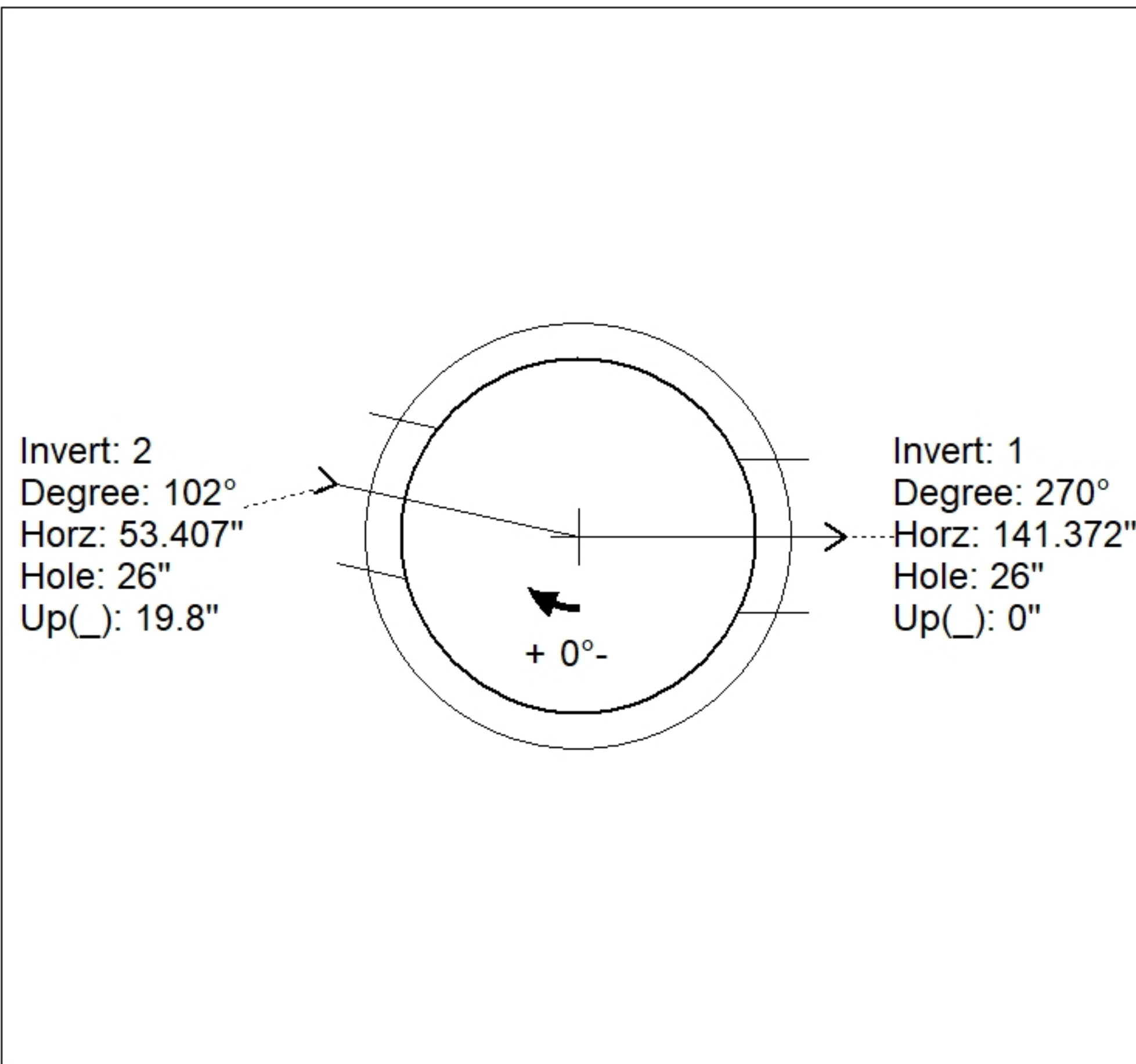
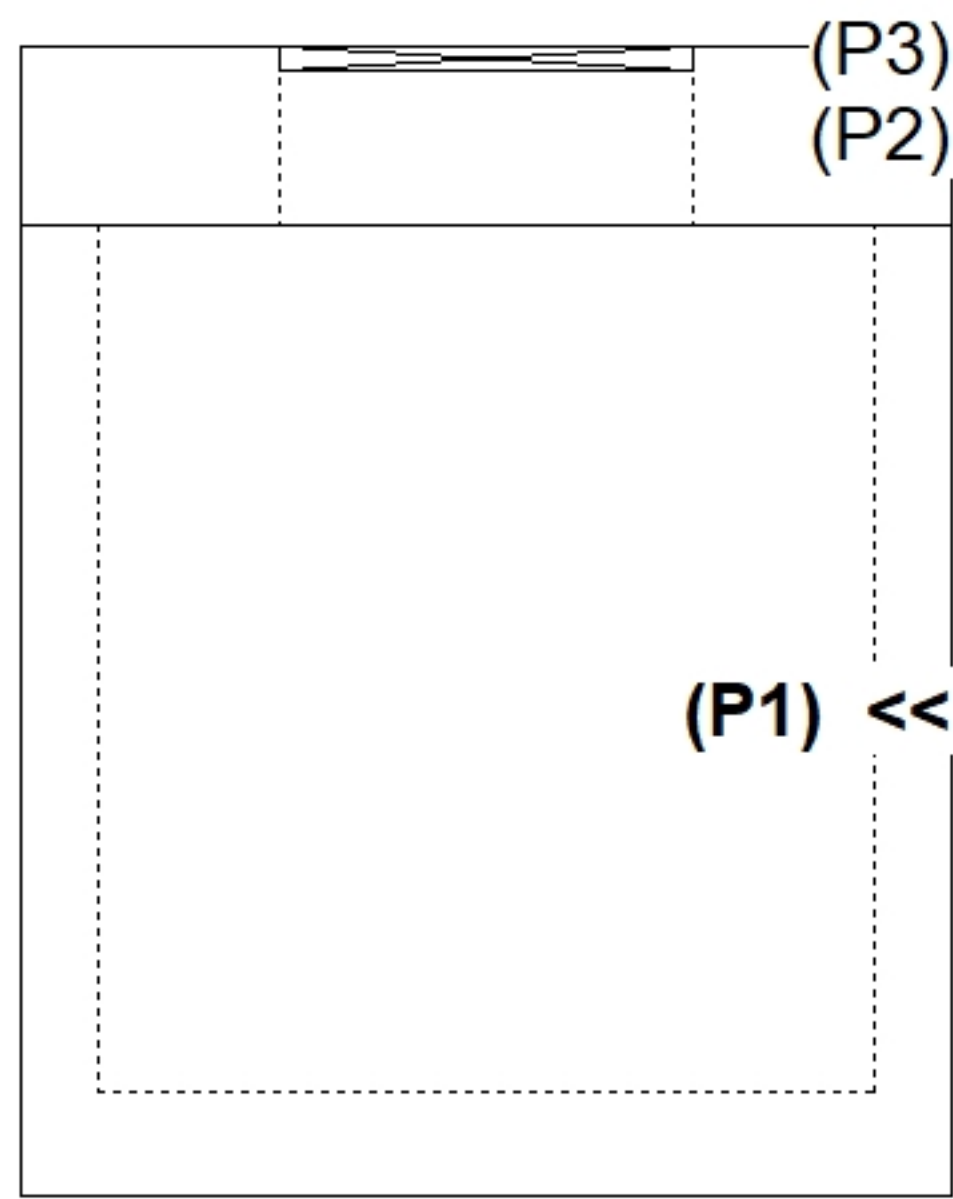
1. JBS-4200 PROVIDED BY ICAST
2. PER TDOT D-CB-42RB / ASTM C478 SPEC'S.
3. CONCRETE = 4,000 PSI AT 28 DAYS.
4. REINFORCING PER ASTM A615 (GRADE 60).
 ** PER TDOT STD DRAWING D-CB-42RB **
- TOP SLAB - DBL MAT #5 BARS.
- RISER (As .18)
- FLOOR (As .62) #5 BARS AT 6" C.C.E.W.
5. 2" WD x 2" DEEP GRATE SEAT/RECESS IN STEPPED TOP SLAB.

Rim: 886.2' Rim to Invert: 6.6' Slack: 0.7" Sump: 2.5" Step Position:

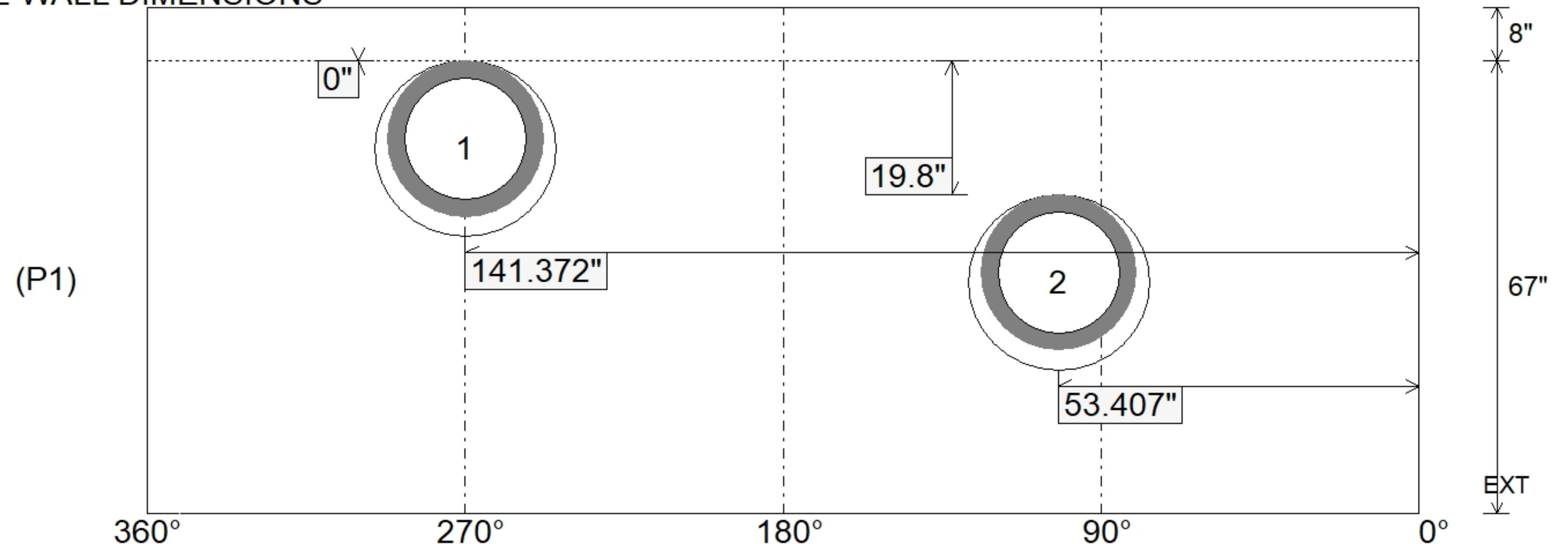
Position	Elev	Angle	Ext. (cw)	Pipe	Pipe OD	Connector	Hole	Horz Size	Up ()	Offset
Invert 1	879.6'	270°	169.646"	18" RCP B WALL	23"	Hole 26	26"	26.891"	0"	0"
Invert 2	881.25'	102°	64.088"	18" RCP B WALL	23"	Hole 26	26"	26.891"	19.8"	0"
Invert 3										
Invert 4										
Invert 5										
Invert 6										
Invert 7										
Invert 8										

RIGHT-SIDE UP VIEW (int. dimensions)

UPSIDE-DOWN VIEW (int. dimensions)



INSIDE WALL DIMENSIONS



Coating (Int):	Seam Up: Flat Seam Dn: n/a	Wall Thickness: 6" Floor Height: 8"	Height (Int): 67" Height (Ext): 75"
Coating (Ext):			Weight (Net): 9178 lb Volume (Net): 2.34cu.yd