

**Job Name: 25-2797 - US 31 W & Marlin RD Improvements**  
**Job Location: White House, TN**  
**Contractor: Scotty's Contracting & Stone, LLC**

PC: C. Goff  
 TECH: J. Coppage  
 Plant: Beaver Dam



Structure ID: **CB7**  
 Spec: TDOT  
 Type: CB TYPE 12RA  
 Size: 48"

Rim: 886.35'  
 Invert: 883.1'  
 Rim to Invert: 3.25'

Sump: 2.5"  
 Floor (Top): 882.892'  
 Floor Height: 6"

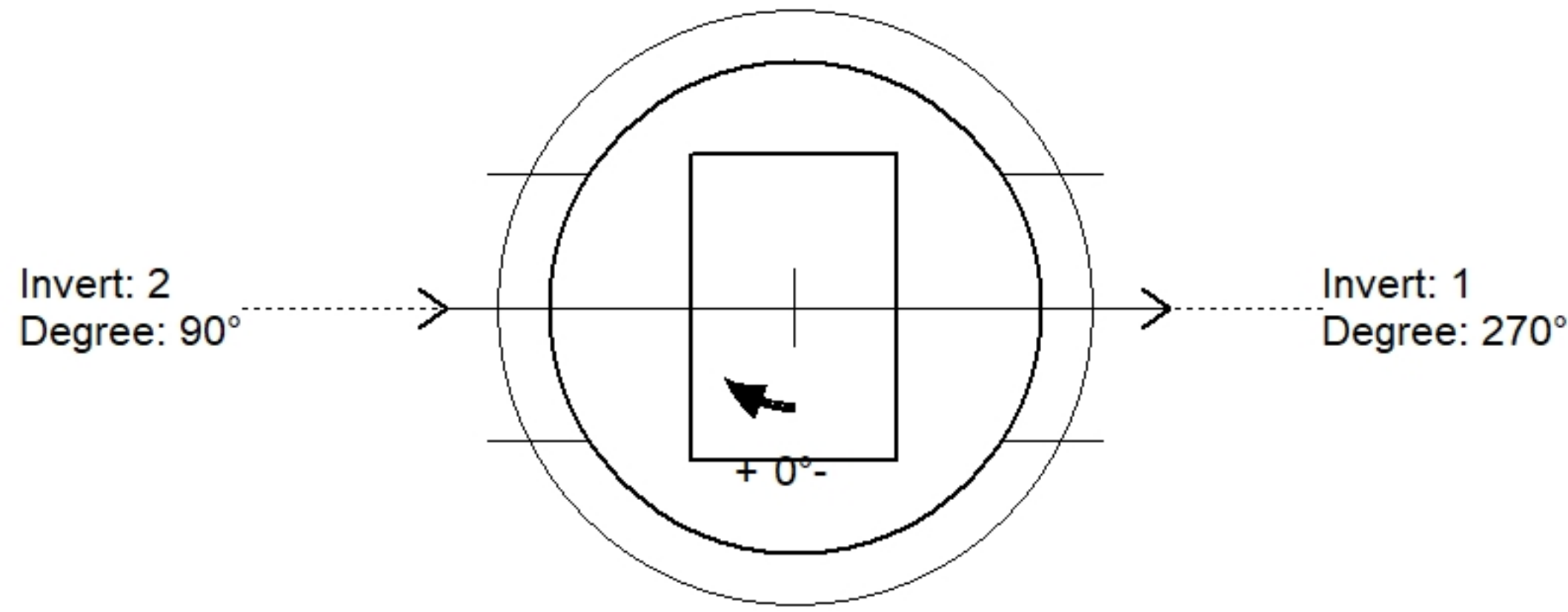
Floor (Bot): 882.392'  
 Overall Height: 3.917'  
 Slack: 0.5"

**Structure Notes:**

1. JBS-3123 MOD. PROVIDED BY ICAST
  2. PER TDOT D-CB-12LP / ASTM C913 SPEC'S.
  3. CONCRETE = 4,000 PSI AT 28 DAYS.
  4. REINFORCING PER ASTM A615 (GRADE 60).
- \*\* PER TDOT STD DRAWING D-CB-12LP MODIFIED\*\*
- WALLS (As .62) #5 BARS AT 6" C.C.E.W.
  - FLOOR (As .62) #5 BARS AT 6" C.C.E.W.

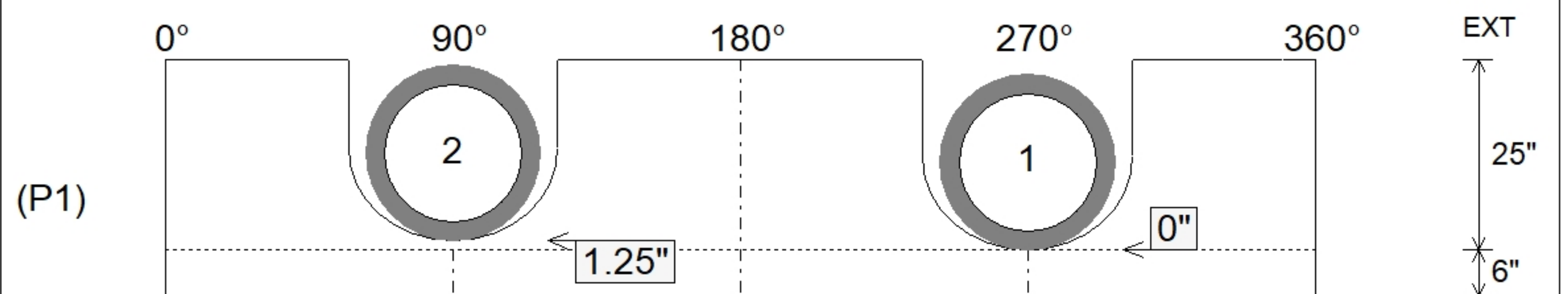
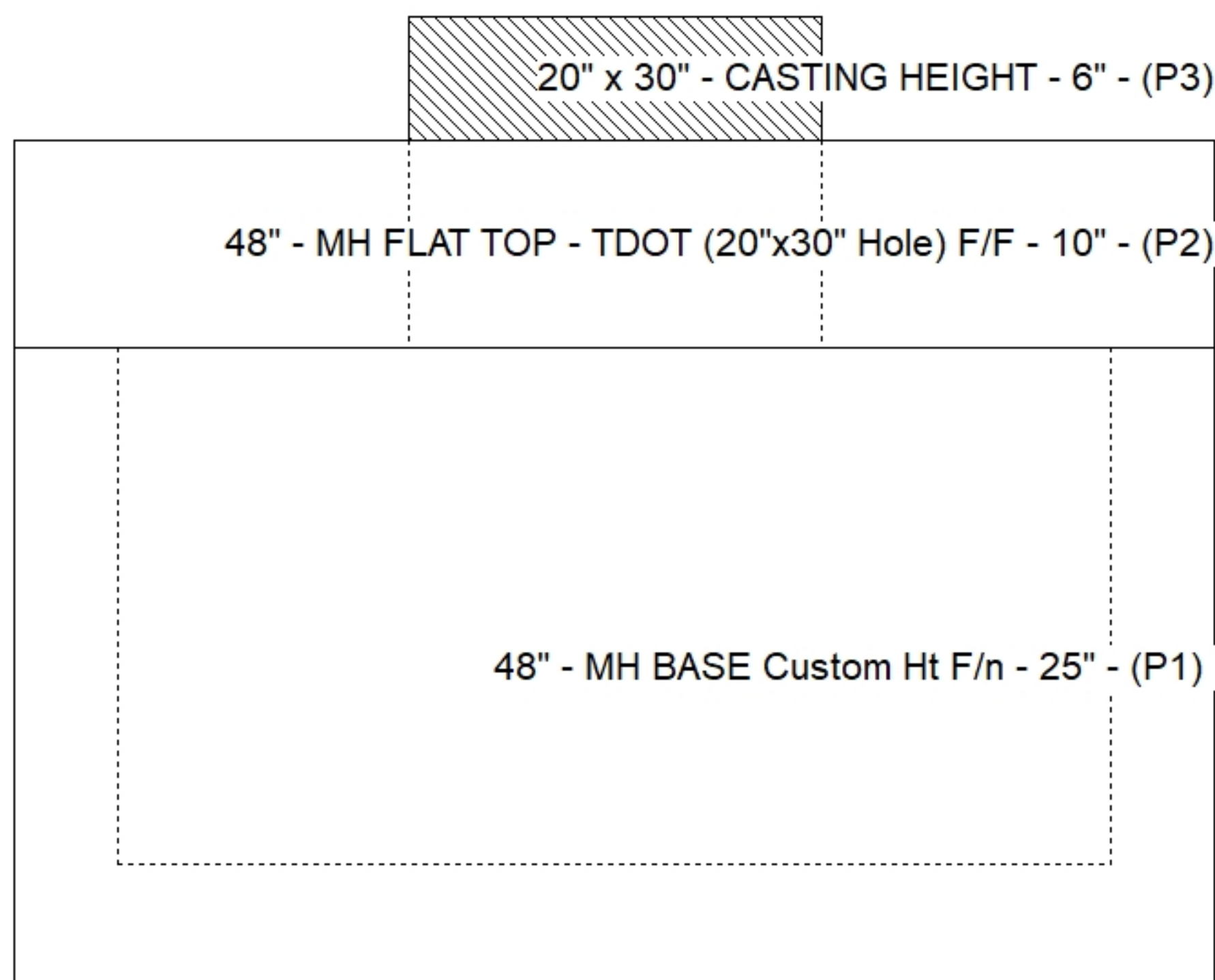
**STRUCTURE SUMMARY:**

P3) 20" x 30" - CASTING HEIGHT - 6"	0 lb
P2) 48" - MH FLAT TOP - TDOT (20"x30" Hole) F/F - 10"	1462 lb
P1) 48" - MH BASE Custom Ht F/n - 25"	2578 lb
1) 48" - SGL 1"x14.5' Butyl (2x)	0 lb
1) DOGHOUSE INVRTD - 26"x24"	0 lb
1) DOGHOUSE INVRTD - 26"x23.75"	0 lb
<b>Structure Total:</b>	<b>4040 lb</b>



Position	Elev	Angle	Pipe	Pipe OD	Hole	Connector	Up (")	Ref
Rim	886.35'							
Reducer								
Invert 1	883.1'	270°	18" RCP B WALL	23"	26" x 24"	DOGHOUSE INVRTD 26"x24"	0"	P1
Invert 2	883.2'	90°	18" RCP B WALL	23"	26" x 23.75"	DOGHOUSE INVRTD 26"x23.75"	1.25"	P1
Invert 3								
Invert 4								
Invert 5								
Invert 6								
Invert 7								
Invert 8								

**Cast (Int. Dim.) - Interior Dimensions**



Submittal Drawing  
 10/10/2025 3:59:51 PM

SUBMITTAL  
 APPROVED BY: