

Job Name: 25-2797 - US 31 W & Marlin RD Improvements	Plant: Beaver Dam	Tech: J. Coppage	
Job Location: White House, TN Contractor: Scotty's Contracting & Stone, LLC	10/10/2025 4:00:54 PM	PC: C. Goff	

Structure ID: CB7

P2 MH048LD10SP

MH FLAT TOP - TDOT (20"x30" Hole) F/F

- P3) 20" x 30" - CASTING HEIGHT - 6"
- P2) 48" - MH FLAT TOP - TDOT (20"x30" Hole) F/F - 10"
- P1) 48" - MH BASE Custom Ht F/n - 25"
- 1) 48" - SGL 1"x14.5' Butyl (2x)
- 1) DOGHOUSE INVRTD - 26"x24"
- 1) DOGHOUSE INVRTD - 26"x23.75"

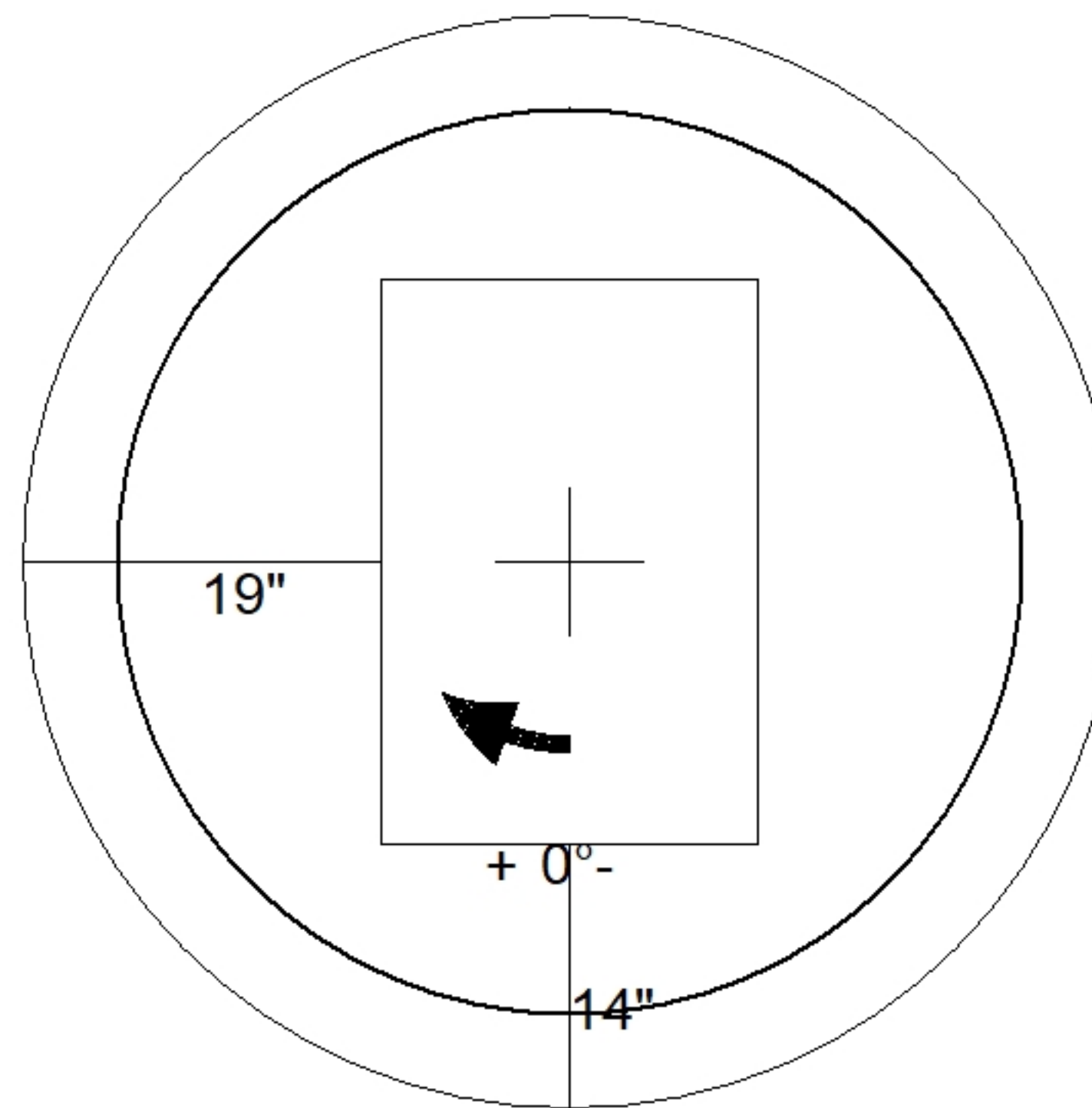
	0 lb
	1462 lb
	2578 lb
	0 lb
	0 lb
	0 lb
Structure Total:	4040 lb

Structure Notes:

1. JBS-3123 MOD. PROVIDED BY ICAST
2. PER TDOT D-CB-12LP / ASTM C913 SPEC'S.
3. CONCRETE = 4,000 PSI AT 28 DAYS.
4. REINFORCING PER ASTM A615 (GRADE 60).

**** PER TDOT STD DRAWING D-CB-12LP MODIFIED****

- WALLS (As .62) #5 BARS AT 6" C.C.E.W.
- FLOOR (As .62) #5 BARS AT 6" C.C.E.W.



48" - MH FLAT TOP - TDOT (20"x30" Hole) F/F - 10" - (P2)

Coating (Int): Coating (Ext):	Seam Up: Flat Seam Dn: Flat	Wall Thickness: 5"	Height (Ext): 10"	Weight (Net): 1462 lb Volume (Net): 0.36cu.yd
----------------------------------	--------------------------------	--------------------	-------------------	--